

NSW-720

Ari LED Step Light with Interchangeable Face Plate

Source: 2.5W LED

47lm

Type

Project

Catalog No.

Notes

PRODUCT DESCRIPTION

Long lasting, energy efficient LED step lights provide illumination for safety around steps, balcony areas, or walkways. Efficient LED light sources are low maintenance and savings over 80% in running costs when compared to 10W incandescent step lights.

FEATURES

- Screwless face plate
- cETLus listed for Wet Location
- Save over 80% when compared to 10W incandescent step lights
- Integrated, embedded non-dimmable driver
- No harmful ultra violet light, infrared wavelengths, or light leak
- Heavy duty, low profile aesthetic face plate

SPECIFICATION

Construction: Sturdy 0.09" die-cast aluminum face plate and housing.

Mounting: Easily installs in a standard single gang switch box with minimum inner compartment size of 2" x 3.8" x 1.8" (width x length x depth). Mounts either horizontally or vertically in the single gang box (pre-installed in horizontal position).

Face Plate: Powder coated or brushed nickel die-cast aluminum. Interchangeable face plate allows for step light to be mounted horizontally or vertically. Face plate is available in brushed nickel, bronze, deep bronze or white finishes.

ELECTRICAL

Input Voltage: 120V

Lumens / Wattage: 47lm / 2.5W

Driver: Integrated, embedded non-dimmable driver

Wiring: 18AWG, rated 105°C 600V

Color Temperature: 3000K or 4000K

CRI: 90+ CRI

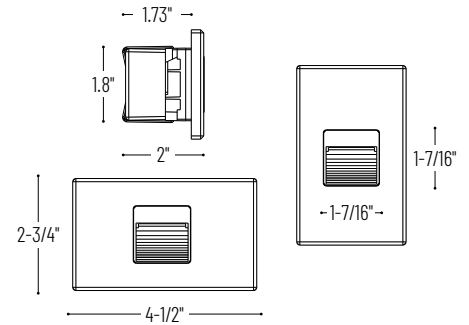
Dimming: Non-Dimmable

LISTINGS AND WARRANTY

- cETLus Listed for Wet Location
- 5-Year Limited Warranty



PRODUCT IMAGES AND DIMENSIONS



NSW-720BN
Brushed Nickel



NSW-720BZ
Bronze



NSW-720DBZ
Deep Bronze



NSW-720W
White

Ari LED Step Light with Interchangeable Face Plate

Catalog No.	Color Temperature / CRI	Finish
NSW-720 = Ari LED Step Light with Interchangeable Face Plate	/30 = 3000K / 90 CRI	BN = Brushed Nickel BZ = Bronze W = White
	/40 = 4000K / 90 CRI	BN = Brushed Nickel DBZ = Deep Bronze W = White

Example: **NSW-720/30W** = Ari LED Step Light with Interchangeable Face Plate, 3000K / 90 CRI, White