

Type
Project
Catalog No.
Lamp/Wattage

NRA-126

Fire Barrier for Recessed Fixtures

PRODUCT DESCRIPTION

Metallic enclosure rated for one-hour resistance to active fire. For use with recessed lighting fixtures to maintain the one-hour rating of a ceiling required to operate as an active fire wall without interruptions normally created by cutting into such a ceiling to install recessed fixtures.

FEATURES

- Galvanized Welded Steel Body
- Flanges with Nail/Screw Openings
- 16/24 Joise/Stud Applicable
- Four knockouts provided for wire entry
- Compatible with IC or Non-IC Housings
- Rated for direct contact with thermal insulation
- UL/NFPA/ASTM Approved

CONSTRUCTION

Housing

24 GA galvanized steel construction with continuous welded seam at adjoining corners, with flanges prepared for nail/screw installation to the bottom surface of ceiling studs or joists. Welded seams also create a completely air-tight enclosure which is rated for direct contact with thermal insulation. Four 1/2" knockouts provided for affixing steel conduit allowing electrical wire entry to any fixture enclosed within the NRA-126.

Installation

The NRA-126 requires a minimum of 9-1/2" (real dimension) of greater steel stud or wood joist, spaced either 16" or 24" apart. IC or Non-IC lighting fixture affixes to the interior of the NRA-126 by means of self-tapping screws. Requires 1" clearance between fire rated box and sub-floor.

Operation

The NRA-126 Fire Barrier will physically stop the progress of an active fire. The one-hour minimum rating matches that of a typical 5/8" drywall barrier. Use of this accessory eliminates the requirement to specify more expensive fire rated lighting fixtures or labor intensive, hand constructed drywall enclosures that are typically not consistent or uniform in their construction or ability to maintain the fire stop.

COMPATIBILITY

Line Voltage:

- 3", 4", 5", 6" Standard Economy IC & Non-IC Housings (except Double Wall IC)

NOT COMPATIBLE:

- 6" & 8" Commercial/Architectural Frame-Ins and Double Wall IC

Compact Fluorescent:

- 4", 5", 6" Standard Economy IC & Non-IC Housings (except Double Wall IC or Emergency)
- 6" Horizontal Commercial NHPT Series, NHP-1 Series, and NHP-2 Series
- 8" Horizontal Commercial NH8PU Series

NOT COMPATIBLE:

- 6" & 8" Horizontal Architectural Frame-Ins
- 6" & 8" Vertical Commercial/Architectural Frame-Ins, Double Wall IC, and Emergency

GU24 Compact Fluorescent:

- 4", 5", 6" Standard Economy IC Housings

HID:

- 6" Standard Economy Non-IC Housings

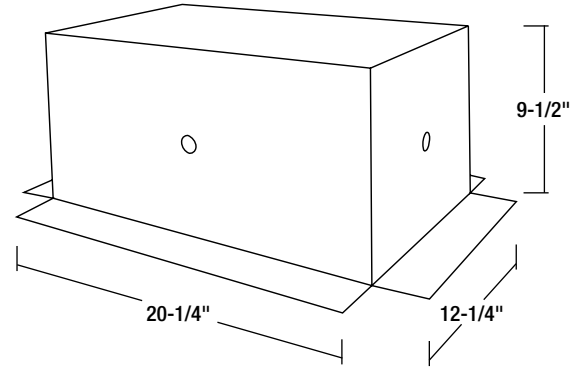
NOT COMPATIBLE:

- 4" Architectural/Economy NHID-4 Series
- 6" & 8" Commercial/Architectural Frame-Ins

Labels and Listings

- UL 263
- ASTM E119-05A
- EBC 7-1
- NFPA 251
- ANSI A2.1

FIRE BARRIER DIMENSIONS



Width: 12-1/4"
 Length: 20-1/4"
 Height: 9-1/2"

Fire Barrier for Recessed Fixtures

NRA-126: One Hour Fire Rated Enclosure