

NPR-4SG

4" Pearl LED Square Adjustable Gimbal Retrofit

Source: 12W LED
1000lm

PRODUCT DESCRIPTION

Pearl LED Retrofit series is cULus classified for use in existing IC or Non-IC housings manufactured by Nora and others. The 4" retrofit luminaires deliver over 1000 lumens with die-cast adjustable gimbal to aim the light source in desired direction.

FEATURES

- Comfort Dim (warm dimming) is available in 800lm only
- 2700K, 3000K, 3500K, 4000K @ 90+ CRI
- Field changeable optics included (Spot, Narrow Flood and Flood - installed)
- Integral dimmable driver
- Includes medium base socket adapter for easy retrofitting in 4" recessed housings
- 5-year limited warranty
- ENERGY STAR certified
- cULus classified for damp locations

SPECIFICATION

Construction: Trims are constructed of heat dissipating, die-cast aluminum. The aluminum die-cast LED heat sink is threaded to fit the trim and transfer heat.

Mounting: Luminaire includes friction blades to mount securely to housing.

OPTICS

Three field changeable optics (spot, narrow flood and flood) are included with each LED module. Premium 22° and 26° TIR optics are also available.

ELECTRICAL

Input Voltage: 120V

Lumens / Wattage: 1000lm / 12W (800lm w/ Comfort Dim)

Color Temperature: 2700K, 3000K, 3500K, 4000K

Color Rendering Index: 90+CRI

Beam Spread: 26° Spot, 36° Narrow Flood, 56° Flood

Operating Temperature: 0°C to 25°C

Lifetime: 50,000 hours @ L70

Comfort Dim: Comfort Dim color tunes the temperature from a bright 3100K, to a romantic and comfortable 2000K on a gradual, even curve. Available in 800lm only.

Dimming: Triac (leading edge) or ELV (trailing edge)

[Click Here](#) or check complete dimmer list at

www.NoraLighting.com in the "Compatibility" page under "Resources" tab

COMPATIBLE HOUSINGS

Pearl retrofits are compatible with most 4" IC and Non-IC housings by Nora and others.

Fire Box

NFBIC-4LMRATA* ICAT Dedicated LED

NFBIC-427LMRATA* Shallow ICAT Dedicated LED

NFBIC-4INCATA ICAT Line Voltage

New Construction

NSIC-4LMRAT* Max. Adjustability ICAT Dedicated LED

NHIC-4LMRAT* ICAT Dedicated LED

NHIC-4LMRAT/277* ICAT Dedicated LED, 277V

(includes step-down transformer)

NHICCP-4LMRAT* CCEA Dedicated LED

NHIC-427LMRAT* Shallow ICAT Dedicated LED

NSIC-4010AT ICAT Line Voltage

NS-4010AT AT Line Voltage

NHIC-4G24AT ICAT GU24

Remodel

NHRIC-4LMRAT* ICAT Dedicated LED

NHRIC-427LMRAT* Shallow ICAT Dedicated LED

NSRIC-4040AT ICAT Line Voltage

NSR-4040AT AT Line Voltage

* Nora Dedicated LED housings are cULus listed for use only with Nora LED Retrofits.

Retrofit: Pearl retrofit series includes medium base screw-socket adapter (NRA-211SM) for retrofitting into existing medium base downlight housings. GU24 socket adapter is available for use with GU24 housings, must specify NRA-212SM.

Accessories: Luminaires can accommodate (1) hex louver and (1) translucent deco collar or opaque snoot, no accessory holder is required, see accessories page.

LABELS AND LISTINGS

- cULus classified for Damp Locations
- ENERGY STAR certified
- RoHS compliant
- [5-Year Limited Warranty](#)
- Certified to the high efficacy requirements of California Title 24 JA8-2022



Type

Project

Catalog No.

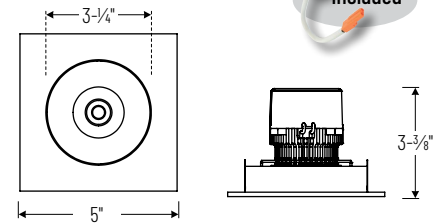
Notes

Performance Data

Part Number	Lumens	CCT	Optic
NPR-4SG30XWW	1088lm	3000K	Spot
NPR-4SG30XWW	1091lm	3000K	Narrow
NPR-4SG30XWW	1080lm	3000K	Flood

Delivered lumens will vary depending on CCT, optic and finish

PRODUCT IMAGES & DIMENSIONS



NPR-4SG

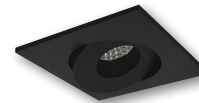
Square Adjustable Gimbal

Adjustability:

Max. Adjustability Housing: 35°

Standard Housings: 25°

Shallow Housings: 10°



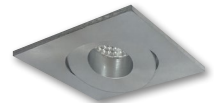
BB
Black



BZ
Bronze



MPW
Matte Powder White



NN
Natural Metal



WW
White

4" Pearl LED Square Adjustable Gimbal Retrofit

Trim Type	Color Temperature	Finish
NPR-4SG = Square Adjustable Gimbal	27X = 2700K	BB = Black
	30X = 3000K	BZ = Bronze
	35X = 3500K	MPW = Matte Powder White
	40X = 4000K	NN = Natural Metal
	CDX = Comfort Dim	WW = White

Example: **NPR-4SG27XWW** = 4" Pearl LED Square Adjustable Gimbal Retrofit, 2700K, White finish

Pearl LED Retrofit Accessories

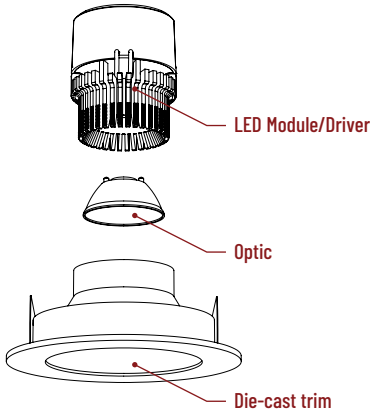
4" Pearl LED Square Adjustable Gimbal Retrofit

Type
Project
Catalog No.
Notes

FIELD CHANGEABLE OPTICS

Pearl luminaires include spot, narrow flood and flood optics. Optics can be changed in the field by removing LED module from die-cast trim. Replacement optics include an optional frosted lens.

Note: Premium TIR optics are not compatible with Comfort Dim LED modules.



Frosted Filter-Optic

NIO-REFL38FR 60° Optic
NIO-REFL60FR 73° Optic

Replaces optics that are included with each LED module.



Premium TIR Optics

NIO-REFLTIR15 22° Optic
NIO-REFLTIR25 26° Optic

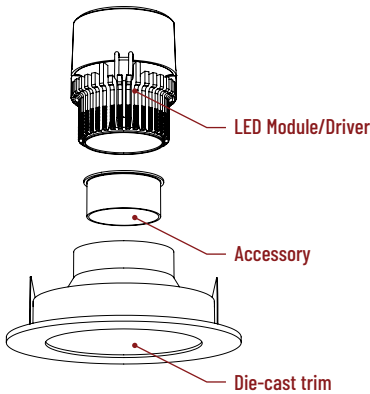
Premium TIR (total internal reflection) optics create optimal spot and narrow flood beam spread.

Not compatible with Comfort Dim (CDX) LED module

ACCESSORIES

Pearl accessories can be added at any point in the design process. Accessories easily install between LED module and die-cast trim.

Luminaire will accommodate (1) hex louver and (1) collar accessory, no accessory holder required.



Translucent Decorative Collar

NIO-AS14(color) 5/8" length
NIO-AS19(color) 3/4" length
NIO-AS26(color) 1" length
Color:
AM (amber), **BLU** (blue), **FR** (frosted), **R** (red)

Translucent collars color the aperture with the specified color while producing white general light. Collars are available in different lengths. Use to add interest, create a theme, match a theme or define a space.



Opaque Collar Snoot

NIO-AS14(color) 5/8" length
NIO-AS19(color) 3/4" length
NIO-AS26(color) 1" length
Color:
MPW (matte powder white), **WH** (white)

Opaque snoot greatly reduces aperture brightness while preserving light output.



Hex Cell Louver

NIO-HC Black
 Hex cell louver subtly reduces aperture brightness by reducing light output by about 20%.

PHOTOMETRICS

4" Pearl LED Square Adjustable Gimbal Retrofit

Type

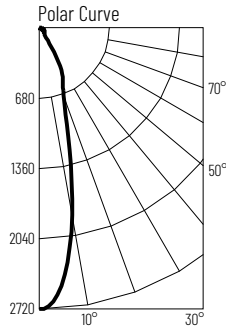
Project

Catalog No.

Notes

Test Information

Test Number: NTR1542
 Part Number: NPR-4SG30XXWW
 Beam Spread: 26° Spot
 Lumens: 1088lm
 Wattage: 11.61W
 Efficacy: 94lpw
 CCT / CRI: 3000K / 90 CRI
 Spacing Criteria (0°-180): 0.46
 Spacing Criteria (90°-270): 0.44



Illuminance at a Distance

Distance from Luminaire	FC at Nadir	Beam Diameter
4'	170fc	1'-11"
6'	75.5fc	2'-10"
8'	42.5fc	3'-8"
10'	27.2fc	4'-8"
12'	18.9fc	5'-6"

Zonal Lumen Summary

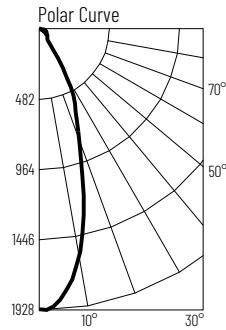
Zone	Lumens	% Luminaire
0-30	775	71.2
0-40	882	81.1
0-60	997	91.7
0-90	1085	99.7
90-180	3	0.3
0-180	1088	100

Candela Table

Vertical Angles	Candela
0	2718
5	2516
15	1095
25	547
35	148
45	77

Test Information

Test Number: NTR1543
 Part Number: NPR-4SG30XXWW
 Beam Spread: 36° Narrow Flood
 Lumens: 1091lm
 Wattage: 11.66W
 Efficacy: 94lpw
 CCT / CRI: 3000K / 90 CRI
 Spacing Criteria (0°-180): 0.6
 Spacing Criteria (90°-270): 0.58



Illuminance at a Distance

Distance from Luminaire	FC at Nadir	Beam Diameter
4'	120fc	2'-7"
6'	53.4fc	3'-11"
8'	30.1fc	5'-2"
10'	19.2fc	6'-6"
12'	13.4fc	7'-10"

Zonal Lumen Summary

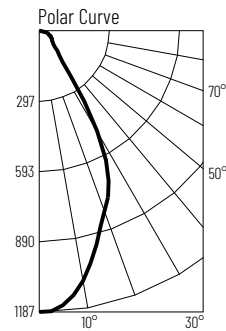
Zone	Lumens	% Luminaire
0-30	761	69.7
0-40	868	79.5
0-60	995	91.2
0-90	1088	99.8
90-180	3	0.2
0-180	1091	100

Candela Table

Vertical Angles	Candela
0	1924
5	1839
15	1196
25	583
35	157
45	81

Test Information

Test Number: NTR1544
 Part Number: NPR-4SG30XXWW
 Beam Spread: 56° Flood
 Lumens: 1080lm
 Wattage: 11.71W
 Efficacy: 92lpw
 CCT / CRI: 3000K / 90 CRI
 Spacing Criteria (0°-180): 0.84
 Spacing Criteria (90°-270): 0.84



Illuminance at a Distance

Distance from Luminaire	FC at Nadir	Beam Diameter
4'	74.2fc	4'-2"
6'	33fc	6'-5"
8'	18.5fc	8'-6"
10'	11.9fc	10'-7"
12'	8.2fc	12'-8"

Zonal Lumen Summary

Zone	Lumens	% Luminaire
0-30	680	63
0-40	844	78.2
0-60	980	90.7
0-90	1077	99.8
90-180	3	0.2
0-180	1080	100

Candela Table

Vertical Angles	Candela
0	1187
5	1163
15	934
25	699
35	236
45	95

Lumen Output Multipliers

Color Temperature: 2700K (0.97), 3000K (1.00), 3500K (1.05), 4000K (1.09)