

NPR-4RNB

4" Pearl LED Round Bullnose Retrofit

Source: 12W LED
1250lm

Type

Project

Catalog No.

Notes

PRODUCT DESCRIPTION

Pearl LED Retrofit series is cULus classified for use in existing IC or Non-IC housings manufactured by Nora and others. The 4" retrofit luminaires deliver over 1250 lumens with filletted aperture which allows for minimal aperture brightness while still producing the nadir footcandles.

FEATURES

- Comfort Dim (warm dimming) is available in 950lm only
- 2700K, 3000K, 3500K, 4000K @ 90+ CRI
- Field changeable optics included (Spot, Narrow Flood and Flood - installed)
- Integral dimmable driver
- Includes medium base socket adapter for easy retrofitting in 4" recessed housings
- 5-year limited warranty
- ENERGY STAR certified
- cULus classified for wet locations

SPECIFICATION

Construction: Trims are constructed of heat dissipating, die-cast aluminum. The aluminum die-cast LED heat sink is threaded to fit the trim and transfer heat.

Mounting: Luminaire includes friction blades to mount securely to housing.

OPTICS

Three field changeable optics (spot, narrow flood and flood) are included with each LED module. Premium 22° and 26° TIR optics are also available.

ELECTRICAL

Input Voltage: 120V

Lumens / Wattage: 1250lm / 12W (950lm w/ Comfort Dim)

Color Temperature: 2700K, 3000K, 3500K, 4000K

Color Rendering Index: 90+CRI

Beam Spread: 28° Spot, 39° Narrow Flood, 65° Flood

Operating Temperature: 0°C to 25°C

Lifetime: 50,000 hours @ L70

Comfort Dim: Comfort Dim color tunes the temperature from a bright 3100K, to a romantic and comfortable 2000K on a gradual, even curve. Available in 950lm only.

Dimming: Triac (leading edge) or ELV (trailing edge)

[Click Here](#) or check complete dimmer list at www.NoraLighting.com in the "Compatibility" page under "Resources" tab

COMPATIBLE HOUSINGS

Pearl retrofits are compatible with most 4" IC and Non-IC housings by Nora and others.

Fire Box

[NFBIC-4LMRATA*](#) ICAT Dedicated LED

[NFBIC-4INCATA](#) ICAT Line Voltage

New Construction

[NSIC-4LMRAT*](#) Max. Adjustability ICAT Dedicated LED

[NHIC-4LMRAT*](#) ICAT Dedicated LED

[NHIC-4LMRAT/277*](#) ICAT Dedicated LED, 277V (includes step-down transformer)

[NSIC-401QAT](#) ICAT Line Voltage

[NS-401QAT](#) AT Line Voltage

[NHIC-4G24AT](#) ICAT GU24

Remodel

[NHRIC-4LMRAT*](#) ICAT Dedicated LED

[NSRIC-404QAT](#) ICAT Line Voltage

[NSR-404QAT](#) AT Line Voltage

* Nora Dedicated LED housings are cULus listed for use only with Nora LED Retrofits.

Retrofit: Pearl retrofit series includes medium base screw-socket adapter (NRA-211SM) for retrofitting into existing medium base downlight housings. GU24 socket adapter is available for use with GU24 housings, must specify NRA-212SM.

Accessories: Luminaires can accommodate (1) hex louver and (1) translucent deco collar or opaque snoot, no accessory holder is required, see accessories page.

LABELS AND LISTINGS

- cULus classified for Wet Locations
- ENERGY STAR certified
- RoHS compliant
- [5-Year Limited Warranty](#)
- Certified to the high efficacy requirements of California Title 24 JA8-2022

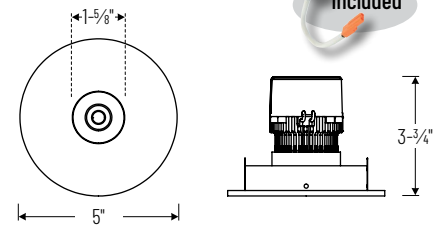


Performance Data

| Part Number | Lumens | CCT | Optic |
|----------------------|--------|-------|--------|
| NPR-4RNB0XWW | 1248lm | 3000K | Spot |
| NPR-4RNB30XWW | 1258lm | 3000K | Narrow |
| NPR-4RNB30XWW | 1246lm | 3000K | Flood |

Delivered lumens will vary depending on CCT, optic and finish

PRODUCT IMAGES & DIMENSIONS



NPR-4RNB
Round Bullnose
Non-Adjustable



BB
Black



BZ
Bronze



MPW
Matte Powder White



NN
Natural Metal



WW
White

4" Pearl LED Round Bullnose Retrofit

| Trim Type | Color Temperature | Finish |
|----------------------------------|--------------------------|---------------------------------|
| NPR-4RNB = Round Bullnose | 27X = 2700K | BB = Black |
| | 30X = 3000K | BZ = Bronze |
| | 35X = 3500K | MPW = Matte Powder White |
| | 40X = 4000K | NN = Natural Metal |
| | CDX = Comfort Dim | WW = White |

Example: **NPR-4RNB27XWW** = 4" Pearl LED Round Bullnose Retrofit, 2700K, White finish

4" Pearl LED Retrofit Accessories

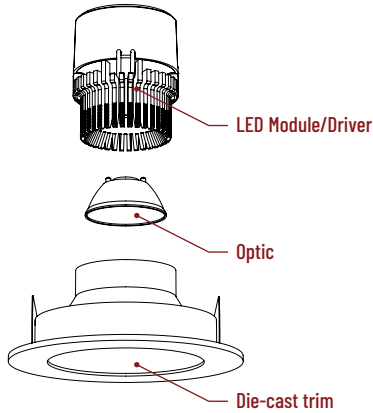
Pearl LED Round Bullnose Retrofit

| |
|-------------|
| Type |
| Project |
| Catalog No. |
| Notes |

FIELD CHANGEABLE OPTICS

Pearl luminaires include spot, narrow flood and flood optics. Optics can be changed in the field by removing LED module from die-cast trim. Optional frosted and TIR optics are also available.

Note: Premium TIR optics are not compatible with Comfort Dim LED modules.



Frosted Filter-Optic

NIO-REFL38FR 60° Optic
NIO-REFL60FR 73° Optic

Replaces optics that are included with each LED module.



Premium TIR Optics

NIO-REFLTIR15 22° Optic
NIO-REFLTIR25 26° Optic

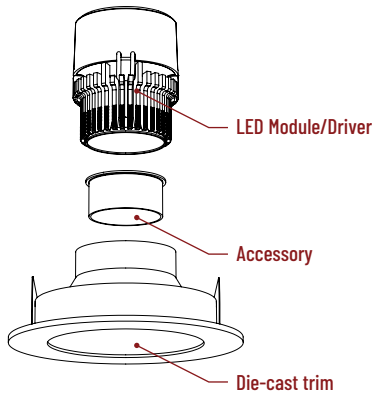
Premium TIR (total internal reflection) optics create optimal spot and narrow flood beam spread.

Not compatible with Comfort Dim (CDX) LED module

ACCESSORIES

Pearl accessories can be added at any point in the design process. Accessories easily install between LED module and die-cast trim.

Luminaire will accommodate (1) hex louver and (1) collar accessory, no accessory holder required.



Translucent Decorative Collar

NIO-AS14(color) 5/8" length
NIO-AS19(color) 3/4" length
NIO-AS26(color) 1" length
Color:
AM (amber), **BLU** (blue), **FR** (frosted), **R** (red)

Translucent collars color the aperture with the specified color while producing white general light. Collars are available in different lengths. Use to add interest, create a theme, match a theme or define a space.



Opaque Collar Snoot

NIO-AS14(color) 5/8" length
NIO-AS19(color) 3/4" length
NIO-AS26(color) 1" length
Color:
MPW (matte powder white), **WH** (white)

Opaque snoot greatly reduces aperture brightness while preserving light output.



Hex Cell Louver

NIO-HC Black
 Hex cell louver subtly reduces aperture brightness by reducing light output by about 20%.

PHOTOMETRICS

4" Pearl LED Round Bullnose Retrofit

Type

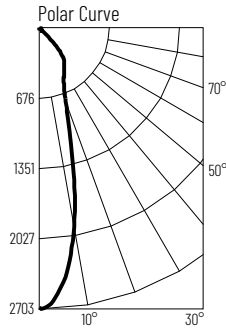
Project

Catalog No.

Notes

Test Information

Test Number: NTR1530
 Part Number: NPR-4RNB30XXWW
 Beam Spread: 28° Spot
 Lumens: 1248lm
 Wattage: 11.65W
 Efficacy: 107lpw
 CCT / CRI: 3000K / 90 CRI
 Spacing Criteria (0°-180): 0.48
 Spacing Criteria (90°-270): 0.48



Illuminance at a Distance

| Distance from Luminaire | FC at Nadir | Beam Diameter |
|-------------------------|-------------|---------------|
| 4' | 168fc | 2' |
| 6' | 74.7fc | 3' |
| 8' | 42fc | 4' |
| 10' | 26.9fc | 5' |
| 12' | 18.7fc | 6' |

Zonal Lumen Summary

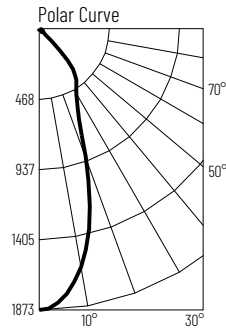
| Zone | Lumens | % Luminaire |
|--------|--------|-------------|
| 0-30 | 821 | 65.8 |
| 0-40 | 1085 | 86.9 |
| 0-60 | 1228 | 98.4 |
| 0-90 | 1245 | 99.8 |
| 90-180 | 3 | 0.2 |
| 0-180 | 1248 | 100 |

Candela Table

| Vertical Angles | Candela |
|-----------------|---------|
| 0 | 2691 |
| 5 | 2484 |
| 15 | 1216 |
| 25 | 562 |
| 35 | 423 |
| 45 | 155 |

Test Information

Test Number: NTR1531
 Part Number: NPR-4RNB30XXWW
 Beam Spread: 39° Narrow Flood
 Lumens: 1258lm
 Wattage: 11.68W
 Efficacy: 108lpw
 CCT / CRI: 3000K / 90 CRI
 Spacing Criteria (0°-180): 0.66
 Spacing Criteria (90°-270): 0.66



Illuminance at a Distance

| Distance from Luminaire | FC at Nadir | Beam Diameter |
|-------------------------|-------------|---------------|
| 4' | 117fc | 2'-10" |
| 6' | 52fc | 4'-4" |
| 8' | 29.3fc | 5'-8" |
| 10' | 18.7fc | 7'-1" |
| 12' | 13fc | 8'-6" |

Zonal Lumen Summary

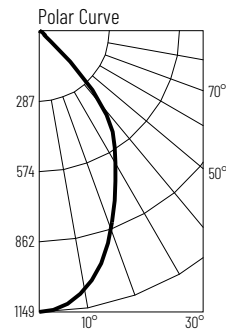
| Zone | Lumens | % Luminaire |
|--------|--------|-------------|
| 0-30 | 817 | 65 |
| 0-40 | 1085 | 86.3 |
| 0-60 | 1235 | 98.2 |
| 0-90 | 1255 | 99.8 |
| 90-180 | 3 | 0.2 |
| 0-180 | 1258 | 100 |

Candela Table

| Vertical Angles | Candela |
|-----------------|---------|
| 0 | 1873 |
| 5 | 1800 |
| 15 | 1302 |
| 25 | 622 |
| 35 | 432 |
| 45 | 161 |

Test Information

Test Number: NTR1532
 Part Number: NPR-4RNB30XXWW
 Beam Spread: 65° Flood
 Lumens: 1246lm
 Wattage: 11.67W
 Efficacy: 107lpw
 CCT / CRI: 3000K / 90 CRI
 Spacing Criteria (0°-180): 0.9
 Spacing Criteria (90°-270): 0.92



Illuminance at a Distance

| Distance from Luminaire | FC at Nadir | Beam Diameter |
|-------------------------|-------------|---------------|
| 4' | 71.8fc | 5'-1" |
| 6' | 31.9fc | 7'-8" |
| 8' | 17.9fc | 10'-2" |
| 10' | 11.5fc | 12'-10" |
| 12' | 8fc | 15'-4" |

Zonal Lumen Summary

| Zone | Lumens | % Luminaire |
|--------|--------|-------------|
| 0-30 | 720 | 57.7 |
| 0-40 | 1018 | 81.7 |
| 0-60 | 1221 | 98 |
| 0-90 | 1243 | 99.8 |
| 90-180 | 3 | 0.2 |
| 0-180 | 1246 | 100 |

Candela Table

| Vertical Angles | Candela |
|-----------------|---------|
| 0 | 1149 |
| 5 | 1128 |
| 15 | 983 |
| 25 | 736 |
| 35 | 529 |
| 45 | 179 |

Lumen Output Multipliers

Color Temperature: 2700K (0.97), 3000K (1.00), 3500K (1.05), 4000K (1.09)