

NPDBL Series

LED Backlit Panels

Source: 30W to 45W LED
3500lm to 5700lm

PRODUCT DESCRIPTION

LED Backlit can be utilized in offices, conference rooms, libraries and other tasks areas where general illumination is desired. The white diffused lens optimizes output while diffusing LED diode image. LED Backlit Panels are available in field selectable color temperature (3000K, 3500K or 4000K) or a dedicated 5000K.

FEATURES

- Dedicated 5000K CCT or Field Selectable Color Temperature (3000K, 3500K or 4000K)
- 1' x 4', 2' x 2' or 2' x 4' sizes
- Surface, pendant & hard ceiling recessed kits available
- Universal 120-347V input with 0-10V dimming
- cULus listed for damp location

SPECIFICATION

Construction: An array of LEDs are mounted on the back of aluminum frame. White opalescent diffused lens optimizes output while reducing LED diode image. The construction seals the conditioned air from the plenum or non-conditioned air, eliminates bugs or dirt getting to top of lens for savings on maintenance cost.

Lens: PMMA (Polymethyl methacrylate) lens is lightweight and shatter resistant. Additional screws are provided to keep luminaire tight and free of bugs and insects.

Clearance: "IC" Insulated ceiling housings are direct contact rated. **Not to be used in direct contact with spray foam insulation.**

Installation: Wiring compartment is on the back of panel and includes replaceable driver, which is accessible via a service door secured with two screws. Wiring compartment consists of three 1/2" knockouts for romex or flex wiring.

Optional motion sensor: Microwave motion sensor can detect motion under the luminaire. Integral switches allow functionality to be changed in the field. Motion Sensor is preset at 100% sensitivity, 5s hold time, Disable daylight threshold, stand-by time off, and 10% dimming level. (See installation sheet for other setting). After each power cycle, the fixture will perform a start-up cycle and resume normal operation.



ELECTRICAL

Input: 120-347V (120-277V with emergency battery)

Lumens / Wattage:

2' x 2': Average of 3500lm / 30W (Tunable White) or 3500lm / 30W (5000K)

1' x 4': Average of 3500lm / 30W (Tunable White)

2' x 4': Average of 5600lm / 45W (Tunable White) or 5700lm / 45W (5000K)

Color Temperature:

Tunable White: Field Selectable - 3000K / 3500K / 4000K (Preset at 3000K)

Dedicated: 5000K

Color Rendering Index: 80+CRI

Operating Temperature: 0°C to 45°C

Lifetime: 60,000 hours @ L70

Dimming: 0-10V dimming down to 5%

(Motion sensor is not compatible with 0-10V dimming)

[Click Here](#) or check complete dimmer list at www.NoraLighting.com

in the "Compatibility" page under "Resources" tab

ACCESSORIES

NPDBL-JB4X4: 4" Junction Box to allow panels to be daisy chained (4-in / 4-out)

NPDBL-xxDFK/W: Surface Mount Frame to allow panels to be mounted over junction box

NPDBL-xxDDFK/W: Surface Mount Frame for panels with emergency or motion sensor

NPDBL-xxRFK/W: Recessed Mounting Kit to allow panels to be recessed into hard ceiling

NPDBL-PKW: Pendant Mounting Kit to suspend panels from monopoint canopy

Emergency: Luminaire can be specified with 120-277V emergency battery with remote test switch. Battery operates luminaire at 7W for 90 minute emergency operation on fully charged battery.

Note: EM option not compatible with pendant mounting kit accessory

LABELS AND LISTINGS

- cULus Listed for Damp Locations
- DLC Listed
- FCC certified
- [5-Year Limited Warranty](#)



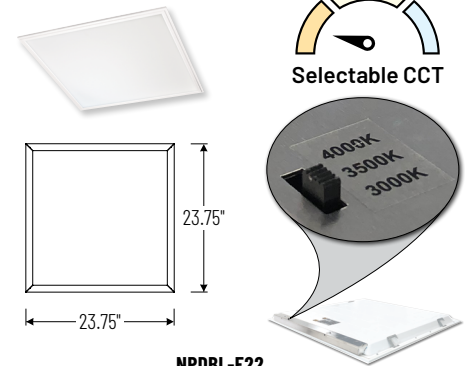
Type

Project

Catalog No.

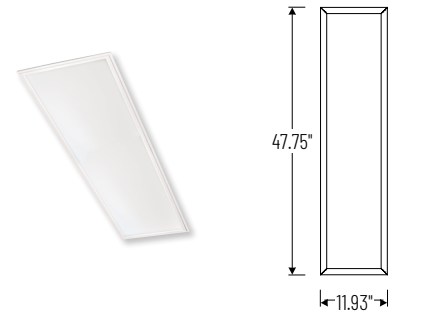
Notes

Product Images & Dimensions



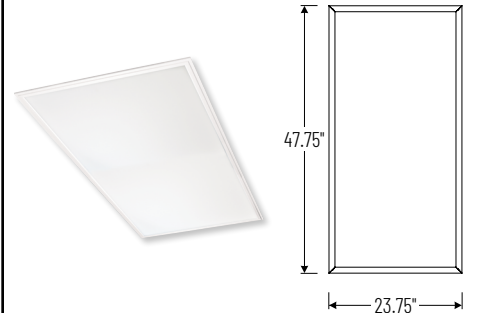
NPDBL-E22

2' x 2' LED Backlit Panel



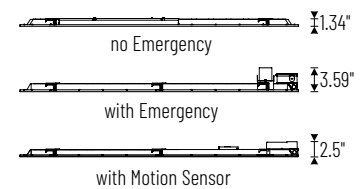
NPDBL-E14

1' x 4' LED Backlit Panel



NPDBL-E24

2' x 4' LED Backlit Panel



LED Backlit Panels*

Size / Lumens / Wattage	Color Temperature	Finish	Optional Emergency
NPDBL-E22 = 2' x 2' / 3500lm / 30W	/334 = Tunable White 3000K / 3500K / 4000K	W = White	EM = Emergency with Remote Test Switch MS = Motion Sensor
NPDBL-E14 = 1' x 4' / 3500lm / 30W			
NPDBL-E24 = 2' x 4' / 5600lm / 45W			
NPDBL-E22 = 2' x 2' / 3500lm / 30W	/50 = Dedicated 5000K	W = White	EM = Emergency with Remote Test Switch
NPDBL-E24 = 2' x 4' / 5700lm / 45W			

* **PACKAGED AND SOLD IN MULTIPLES OF TWO**

Optional Accessories

Accessories for all sizes

NPDBL-JB4X4 = 4" Junction Box for Daisy Chaining

NPDBL-PKW = Pendant Mounting Kit

Panel Size	Accessory Type
NPDBL-14 = 1' x 4'	DFK/W = Surface Mount Frame
NPDBL-22 = 2' x 2'	DDFK/W = Surface Mount for EM or MS
NPDBL-24 = 2' x 4'	RFK/W = Recessed Mounting Kit

Example: **NPDBL-E24/50W** = 2' x 4' LED Backlit Panel, 5700lm / 45W, 5000K, White finish

NPDBL Series

LED Backlit Panel Accessories

Type _____

Project _____

Catalog No. _____

Notes _____



Surface Mounting Frame

NPDBL-14DFK/W 1' x 4' / White Finish
NPDBL-22DFK/W 2' x 2' / White Finish
NPDBL-24DFK/W 2' x 4' / White Finish

The frame mounts over an existing junction box and the panel slides into place. Surface mounting frame only extends 2.5" from the ceiling. Can be used with NPDBL-PKW pendant kit.

Note: Junction box must be off center frame.



Surface Mounting Frame for Emergency or Motion Sensor

NPDBL-14DDFK/W 1' x 4' / White Finish
NPDBL-22DDFK/W 2' x 2' / White Finish
NPDBL-24DDFK/W 2' x 4' / White Finish

The frame mounts over an existing junction box and the panel slides into place. Surface mounting frame extends 4.33" from the ceiling. Can be used with NPDBL-PKW pendant kit.

Note: Junction box must be off center frame.



Recessed Mounting Kit

NPDBL-14RFK/W 1' x 4' / White Finish
NPDBL-22RFK/W 2' x 2' / White Finish
NPDBL-24RFK/W 2' x 4' / White Finish

The white finished flange kit consist of four pieces. The assembled frame installs into a hard ceiling. The panel lifts and shifts in the frame ending in a finished flush appearance.



Pendant Mounting Kit

NPD-PK Aluminum Finish
NPDBL-PKW White Finish

Allows LED panels to be suspended as a pendant. Grip lock fasteners allow for easy field adjustment of cables from 12" to 96". Canopy includes an 8' power card that can be shortened in the field. Pendant kit may be used with surface mount frames for an alternative appearance.

Canopy Dimension: 6" width / 0.75" height / 8'-6" cord & cable



4" Junction Box for Daisy Chaining

NPDBL-JB4X4

Junction box mounts on panel to allow them be daisy chained together on the same switch (4-in / 4-out)