

# NM4-RG

## 4" M4 Round LED Recessed Gimbal

Source: 12W LED  
950lm

Type

Project

Catalog No.

Notes

### PRODUCT DESCRIPTION

4" M4 Round LED adjustable gimbal are ideal for remodel or new constructions in residential and light commercial applications. IC Air-Tight rated luminaires require no housing, making installation easy.

### FEATURES

- 15° Adjustment
- No housing required - IC Air-Tight rated
- Easy installation for remodel or new construction applications
- Quick disconnect allows for extended lengths
- 2700K or 3000K @ 90+ CRI
- Triac or ELV dimming
- 5-year limited warranty
- ENERGY STAR certified
- cETLus Listed for Wet Locations

### SPECIFICATION

**Construction:** Die-cast aluminum trims available in matte black or matte powder white finish. Gimbal trim is adjustable up to 15°.

**Air Flow Restriction:** Luminaire has factory installed gasket to restrict airflow from room into ceiling plenum to <2CFM (cubic feet per minute) in accordance with ASTM-283 Air-Tight requirements.

**Clearance:** IC rated luminaires are rated for direct contact with insulation (not spray foam insulation), no minimum clearance is required.

**Junction Box:** Prewired junction box includes quick connect to LED fixtures for ease of installation. Junction box includes four 1/2" trade size knockouts and snap on cover with 7" quick connect wire. Luminaire includes 5" quick connect wire.

**Mounting:** No housing is required, two tensions steel spring clips secure luminaire to ceiling. Accommodates ceiling thickness up to 3/4". New construction frame-in available, see mounting accessories.

### ELECTRICAL

**Input Voltage:** 120V

**Lumens / Wattage:** 950lm / 12W

**Color Temperature:** 2700K or 3000K

**Color Rendering Index:** 90+CRI

**Beam Spread:** 28° Narrow Flood

**Operating Temperature:** 0°C to 25°C ambient temperature

**Lifetime:** 50,000 hours @ L70

**Dimming:** Dimmable down to 10% with Triac or ELV

[Click Here](#) or check complete dimmer list at [www.NoraLighting.com](http://www.NoraLighting.com) in the "Compatibility" page under "Resources" tab

### OPTIONAL MOUNTING ACCESSORIES

[NF-R246](#): Universal New Construction Frame-In

[NFC-R430](#): New Construction Frame-In with Collar

[NM2-EW-4](#): 4' Quick Connect Linkable Extension Cable

[NM2-EW-10](#): 10' Quick Connect Linkable Extension Cable

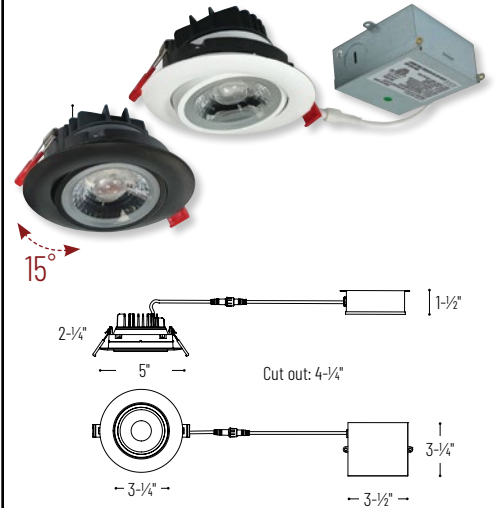
### LABELS AND LISTINGS

- cETLus Listed for Wet Locations
- ENERGY STAR certified
- [5-Year Limited Warranty](#)
- FCC compliant
- Certified to the high efficacy requirements of California Title 24 JA8-2022



Performance Data		
Part Number	Lumens	CCT
<b>NM4-RG27BB</b>	899lm	2700K
<b>NM4-RG27MPW</b>	957lm	2700K
<b>NM4-RG30BB</b>	897lm	3000K
<b>NM4-RG30MPW</b>	958lm	3000K

### PRODUCT IMAGES AND DIMENSIONS



### 4" M4 Round LED Recessed Gimbal

Trim Type	Color Temperature	Finish
<b>NM4-RG</b> = 4" Round Gimbal	<b>27</b> = 2700K <b>30</b> = 3000K	<b>BB</b> = Matte Black <b>MPW</b> = Matte Powder White

### Optional Mounting Accessories

Accessory Type
<b>NF-R246</b> = Universal New Construction Frame-In
<b>NFC-R430</b> = New Construction Frame-In with Collar
<b>NM2-EW-4</b> = 4' Quick Connect Extension Cable
<b>NM2-EW-10</b> = 10' Quick Connect Extension Cable

Example: **NM4-RGMPW** = 4" M4 Round LED Recessed Gimbal, 950lm / 12W, 3000K, Matte Powder White

# NM4-RG

## 4" M4 Round LED Recessed Gimbal Accessories

Type \_\_\_\_\_

Project \_\_\_\_\_

Catalog No. \_\_\_\_\_

Notes \_\_\_\_\_



New Construction Frame-In



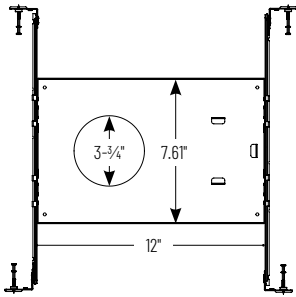
New Construction Frame-In with Collar



Quick Connect Extension Linkable Cables

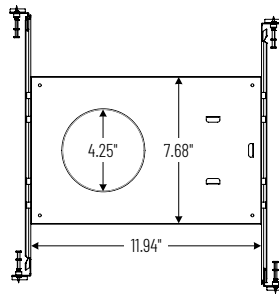
### NF-R375

For new construction pre-wiring and easier layout planning.



### NFC-R430

New construction frame-in can be used to assist installing can-less recessed downlighting.



### NM2-EW-4

4' Cable

### NM2-EW-10

10' Cable

Use to extend the length between luminaire and driver enclosure. Can be connected together to create custom lengths. Maximum length between luminaire and driver is 40'.

# PHOTOMETRICS

## NM4-RG

### 4" M4 Round LED Recessed Gimbal

Type

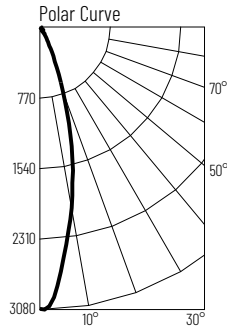
Project

Catalog No.

Notes

#### Test Information

Test Number: NTR1857R1  
 Part Number: NM4-RG27MPW  
 Beam Spread: 28° Narrow Flood  
 Lumens: 957lm  
 Wattage: 11.76W  
 Efficacy: 81lpw  
 CCT / CRI: 2700K / 90 CRI  
 Spacing Criteria (0°-180°): 0.48  
 Spacing Criteria (90°-270°): 0.48



#### Illuminance at a Distance

Distance from Luminaire	FC at Nadir	Beam Diameter
4'	191fc	2'
6'	85fc	3'
8'	47.8fc	4'
10'	30.6fc	5'-1"
12'	21.3fc	6'-1"

#### Zonal Lumen Summary

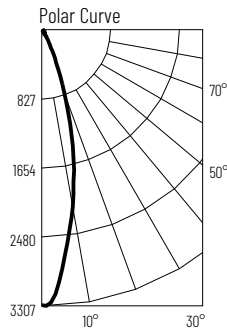
Zone	Lumens	% Luminaire
0-30	817	85.4
0-40	883	92.2
0-60	934	97.6
0-90	957	100
90-180	0	0
0-180	957	100

#### Candela Table

Vertical Angles	Candela
0	3060
5	2683
15	1447
25	417
35	114
45	39

#### Test Information

Test Number: NTR1878R1  
 Part Number: NM4-RG30MPW  
 Beam Spread: 27° Narrow Flood  
 Lumens: 958lm  
 Wattage: 11.67W  
 Efficacy: 82lpw  
 CCT / CRI: 3000K / 90 CRI  
 Spacing Criteria (0°-180°): 0.46  
 Spacing Criteria (90°-270°): 0.46



#### Illuminance at a Distance

Distance from Luminaire	FC at Nadir	Beam Diameter
4'	206fc	1'-11"
6'	91.7fc	2'-11"
8'	51.6fc	3'-10"
10'	33fc	4'-10"
12'	22.9fc	5'-8"

#### Zonal Lumen Summary

Zone	Lumens	% Luminaire
0-30	819	85.5
0-40	882	92.1
0-60	934	97.5
0-90	958	100
90-180	0	0
0-180	958	100

#### Candela Table

Vertical Angles	Candela
0	3299
5	2874
15	1420
25	390
35	114
45	40

#### Finish Multiplier

Finish: Black (x0.94), Matte Powder White (x1.0)