

NM2-MLS

M2 Modular LED Multiple Lighting System

Source: 6W or 8W LED per head
400lm or 600lm per head

Type

Project

Catalog No.

Notes

PRODUCT DESCRIPTION

M2 Modular LED Multiple Lighting System (MLS) allows multiple LED luminaires to be installed in one recessed trim without a large housing. M2 Multiple plates are IC rated and accept one, two or three round M2 LED luminaires up to 600 lumens per head.

FEATURES

- No housing required - IC rated
- Easy installation for remodel or new construction applications
- Each luminaire includes individual drivers with quick disconnect allows for extended lengths
- 2700K or 3000K @ 90+ CRI
- Triac or ELV dimming
- 5-year limited warranty
- ENERGY STAR certified

SPECIFICATION

Construction: Die-cast aluminum trims available in matte black or matte powder white finish. Multiple lighting system plates accept round M2 LED luminaires.

Clearance: IC rated luminaires are rated for direct contact with insulation (not spray foam insulation), no minimum clearance is required.

Junction Box: M2 LED luminaires include prewired junction boxes with quick connects to LED fixtures for ease of installation. Junction box includes two 1/2" trade size knockouts and snap on cover with 7" connector length. Luminaire includes 6" quick connect wire.

Mounting: No housing is required, four tensions steel spring clips secure luminaire to ceiling. Accommodates ceiling thickness up to 5/8".

ELECTRICAL

Input Voltage: 120V
Lumens / Wattage Per Head:
 400lm / 6W, 500lm / 6W or 600lm / 8W
Color Temperature: 2700K or 3000K
CRI: 90+ CRI
Operating Temp.: 0°C to 40°C ambient temperature
Lifetime: 33,000 hours @ L70
Dimming: Dimmable down to 10% with Triac or ELV
[Click Here](#) or check complete dimmer list at www.NoraLighting.com in the "Compatibility" page under "Resources" tab

COMPATIBLE M2 LED LUMINAIRES

NM2-2RDC: Round LED Open Downlight
NM2-2RDCS: Round LED Lensed Downlight
NM2-2RG: Round LED Adjustable Gimbal
NM2-2R270: Round LED Adjustable Elbow

OPTIONAL MOUNTING ACCESSORIES

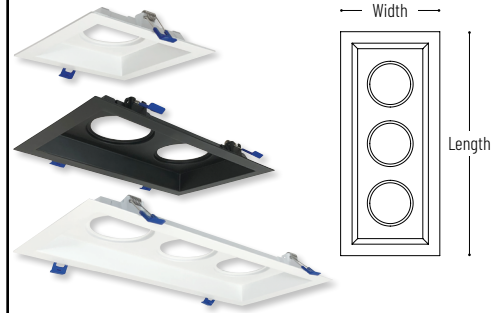
NM2-EW-4: 4' Quick Connect Linkable Extension Cable
NM2-EW-10: 10' Quick Connect Linkable Extension Cable

LABELS AND LISTINGS

- NM2-2R is cETLus listed for damp locations
- NM2-MLS is suitable for damp locations
- NM2-2R is ENERGY STAR certified
- 5-Year Limited Warranty
- FCC compliant
- NM2-2R is certified to the high efficacy requirements of California Title 24 JA8-2022



PRODUCT IMAGES AND DIMENSIONS



	NM2-MLS1	NM2-MLS2	NM2-MLS3
Cut out:	5-3/4" x 5-3/4"	10-1/8" x 5-3/4"	14-1/4" x 5-3/4"
Width:	6-7/8"	6-7/8"	6-7/8"
Length:	6-7/8"	11-1/2"	15-1/2"

NM2-MLS
M2 Multiple Plates



NM2-2R270
Adjustable Elbow

NM2-2RG
Adjustable Gimbal



NM2-2RDC
Open Downlight

NM2-2RDCS
Lensed Downlight

M2 Multiple Lighting System Plates

Number of Head(s)	Finish
NM2-MLS1 = One Head	BB = Matte Black
NM2-MLS2 = Two Heads	MPW = Matte Powder White
NM2-MLS3 = Three Heads	

M2 LED Luminaires (must specify # of luminaires)

LED Luminaire	Lumens / Wattage per Head	Color Temperature	Finish
NM2-2RDC = Open Downlight	40 = 400lm / 6W	27 = 2700K	BB = Matte Black
NM2-2RDCS = Lensed Downlight	60 = 600lm / 8W	30 = 3000K	MPW = Matte Powder White
NM2-2RG = Adjustable Gimbal			
NM2-2R270 = Adjustable Elbow	50 = 500lm / 6W	27 = 2700K 30 = 3000K	BB = Matte Black MPW = Matte Powder White

Optional Mounting Accessories

Description
NM2-EW-4 = 4' Quick Connect Extension Cable
NM2-EW-10 = 10' Quick Connect Extension Cable

Accessories for NM2-2RDC only

Accessory Type	Finish
NM2-2REFL = Reflector Insert	B = Matte Black
NM2-2BAF = Baffle Insert	HZ = Haze (NM2-2REFL only)
NM2-2RPH = Round Pinhole Trim	MPW = Matte Powder White
NM2-2RW = Round Wall Wash Trim	

Example: **NM2-MLS2MPW / (2) NM2-2R2705030MPW** = Two-Head M2 Multiple Plate / (2) M2 Adjustable LED Elbow, 500lm / 6W, 3000K / 90 CRI, Matte Powder White

NM2-MLS

M2 Modular LED Multiple Lighting System Accessories

Type	_____
Project	_____
Catalog No.	_____
Notes	_____



Quick Connect Extension Linkable Cables

NM2-EW-4 4' Cable
NM2-EW-10 10' Cable
 Use to extend the length between luminaire and driver enclosure. Can be connected together to create custom lengths. Maximum length between luminaire and driver is 40'.



Reflector Insert for NM2-2RDC

NM2-2REFLB Matte Black
NM2-2REFLHZ Haze
 Replaces the reflector included with NM2-2RDC downlight



Baffle Insert for NM2-2RDC

NM2-2BAFB Matte Black
NM2-2BAFMPW Matte Powder White
 Replaces the reflector included with NM2-2RDC downlight



Round Pinhole Trim for NM2-2RDC

NM2-2RPHB Matte Black
NM2-2RPHMPW Matte Powder White
 Converts the round trim included with NM2-2RDC downlight into a round pinhole



Round Wall Wash Trim for NM2-2RDC

NM2-2RWB Matte Black
NM2-2RWMPW Matte Powder White
 Converts the round trim included with NM2-2RDC downlight into a round wall wash

Luminaire Examples

