

# NLRS-6S

## 6" Super Slope LED Retrofit Downlights

Source: 16W LED  
1200lm

Type

Project

Catalog No.

Notes

### PRODUCT DESCRIPTION

Super sloped LED retrofit downlights adjust up to 45° for ceilings with steep pitches. Luminaires requires no driver and are suitable for use with most 6" super slope housings.

### FEATURES

- Adjustable LED module (+/-45°) to accommodate ceiling pitches from 7/12 to 12/12
- Includes medium base socket adapter for easy retrofitting
- Over 80% energy savings when compared to incandescent
- Rated for insulated ceilings
- Compatible with most incandescent and electronic low voltage dimmers
- ENERGY STAR certified
- Title 24 compliant
- 5-year Limited Warranty

### SPECIFICATION

**Trim:** Aluminum spun reflector with deep set diffused lens for excellent visual comfort while providing high lumen output.

**Housings:** Compatible with most 6" IC and non-IC super slope housings by Nora and others.

**Mounting:** Trim includes torsion springs to mount trim securely to housing.

**Retrofit:** Luminaires includes medium base screw-socket adapter (NRA-211SM) for retrofitting into existing medium base downlight housings. Intended to be used as a LED lamp replacement.

### ELECTRICAL

**Lumens / Wattage:** 1200lm / 16W

**Color Temperature:** 2700K, 3000K or 4000K

**Color Rendering Index:** 90+ CRI

**Operating Temperature:** 0°C to 30°C

**Dimming:** Triac (leading edge) or ELV (trailing edge) down to 5%

[Click Here](#) or check complete dimmer list at [www.NoraLighting.com](http://www.NoraLighting.com) in the "Compatibility" page under "Resources" tab

### COMPATIBLE HOUSINGS

Super Slope Downlights are compatible with respective housings manufactured by Nora Lighting.

CATALOG NO.	DESCRIPTION
<a href="#">NHIC-928LMRAT</a>	LED Dedicated IC Air-Tight New Construction
<a href="#">NHIC-928QAT</a>	Line Voltage IC Air-Tight New Construction with Medium Base Socket
<a href="#">NHRIC-928LMRAT</a>	LED Dedicated IC Air-Tight Remodel
<a href="#">NHRIC-928QAT</a>	Line Voltage IC Air-Tight Remodel with Medium Base Socket

### LABELS AND LISTINGS

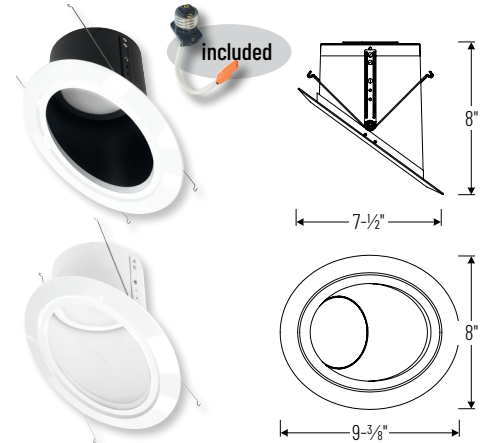
- cULus classified for Damp Location when used with compatible housing
- ENERGY STAR® certified
- Suitable for Type IC
- Certified to the high efficacy requirements of California Title 24 JA8-2022
- [5-Year Limited Warranty](#)
- Meets ASTM-E283 Air-Tight requirements



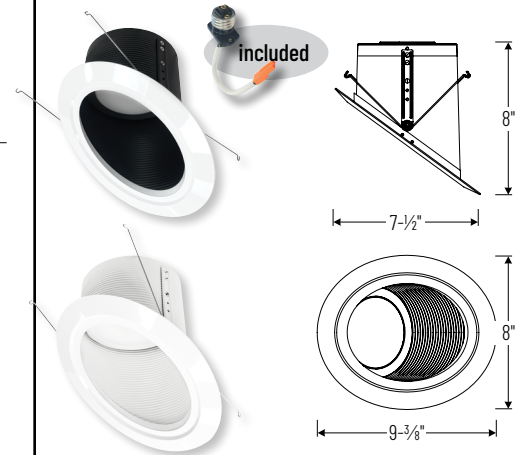
Performance Data			
Part Number	2700K	3000K	4000K
<b>NLRS-6S11</b>	1075lm	1134lm	1203lm
<b>NLRS-6S12</b>	1055lm	1144lm	1203lm

Delivered lumens will vary depending on finish

### PRODUCT IMAGES AND DIMENSIONS



**NLRS-6S11**  
Super Sloped Reflector



**NLRS-6S12**  
Super Sloped Baffle

## 6" Super Sloped LED Retrofit Downlights

Trim Type	Color Temperature	Finish
<b>NLRS-6S11L1</b> = Super Slope Reflector	<b>27</b> = 2700K	<b>B</b> = Black / White Flange
<b>NLRS-6S12L1</b> = Super Slope Baffle	<b>30</b> = 3000K	<b>W</b> = White / White Flange
	<b>40</b> = 4000K	

Example: **NLRS-6S11L30W** = 6" Super Sloped LED Retrofit Reflector, 1200lm / 16W, 3000K, White Reflector / White Flange

# PHOTOMETRICS

## 6" Super Slope LED Retrofit Reflector

Type

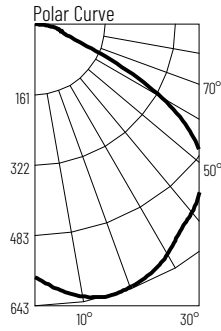
Project

Catalog No.

Notes

### Test Information

Test Number: NTR2067R1  
 Part Number: NLR5-6S1L127W  
 Beam Spread: 81° Wide Flood  
 Lumens: 1075lm  
 Wattage: 15.63W  
 Efficacy: 63lpw  
 CCT / CRI: 2700K / 90 CRI  
 Spacing Criteria (0°-180°): 1.52  
 Spacing Criteria (90°-270°): 1.14



### Illuminance at a Distance

Distance from Luminaire	FC at Nadir	Beam Diameter
4'	36.1fc	6'-11"
6'	16.1fc	10'-4"
8'	9fc	13'-8"
10'	5.8fc	17'-2"
12'	4fc	20'-7"

### Zonal Lumen Summary

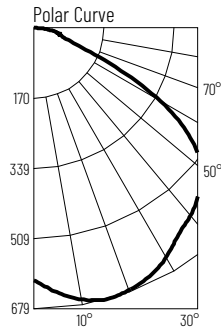
Zone	Lumens	% Luminaire
0-30	408	38
0-40	617	57.4
0-60	940	87.4
0-90	1075	100
90-180	0	0
0-180	1075	100

### Candela Table

Vertical Angles	Candela
0	578
5	607
15	643
25	628
35	579
45	536

### Test Information

Test Number: NTR2071R1  
 Part Number: NLR5-6S1L130W  
 Beam Spread: 81° Narrow Flood  
 Lumens: 1134lm  
 Wattage: 15.63W  
 Efficacy: 73lpw  
 CCT / CRI: 3000K / 90 CRI  
 Spacing Criteria (0°-180°): 1.52  
 Spacing Criteria (90°-270°): 1.06



### Illuminance at a Distance

Distance from Luminaire	FC at Nadir	Beam Diameter
4'	38.1fc	6'-11"
6'	16.9fc	10'-4"
8'	9.5fc	13'-8"
10'	6.1c	17'-2"
12'	4.2fc	20'-7"

### Zonal Lumen Summary

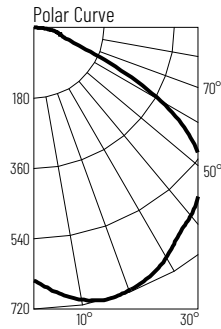
Zone	Lumens	% Luminaire
0-30	431	38.0
0-40	651	57.4
0-60	992	87.4
0-90	1134	100
90-180	0	0
0-180	1134	100

### Candela Table

Vertical Angles	Candela
0	610
5	641
15	679
25	663
35	611
45	566

### Test Information

Test Number: NTR2069R2  
 Part Number: NLR5-6S1L140W  
 Beam Spread: 81° Flood  
 Lumens: 1203lm  
 Wattage: 15.63W  
 Efficacy: 77lpw  
 CCT / CRI: 4000K / 90 CRI  
 Spacing Criteria (0°-180°): 1.52  
 Spacing Criteria (90°-270°): 1.06



### Illuminance at a Distance

Distance from Luminaire	FC at Nadir	Beam Diameter
4'	40.4fc	6'-11"
6'	18fc	10'-4"
8'	10.1fc	13'-8"
10'	6.5fc	17'-2"
12'	4.5fc	20'-7"

### Zonal Lumen Summary

Zone	Lumens	% Luminaire
0-30	457	38
0-40	691	57.4
0-60	1052	87.4
0-90	1203	100
90-180	0	0
0-180	1203	100

### Candela Table

Vertical Angles	Candela
0	647
5	680
15	720
25	703
35	648
45	600

# PHOTOMETRICS

## 6" Super Slope LED Retrofit Baffle

Type

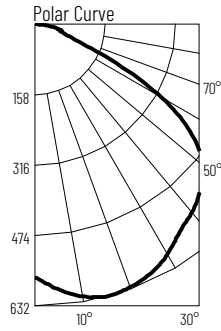
Project

Catalog No.

Notes

### Test Information

Test Number: NTR2070R1  
 Part Number: NLRS-6S12L127W  
 Beam Spread: 81° Wide Flood  
 Lumens: 1055lm  
 Wattage: 15.63W  
 Efficacy: 68lpw  
 CCT / CRI: 2700K / 90 CRI  
 Spacing Criteria (0°-180°): 1.52  
 Spacing Criteria (90°-270°): 1.06



### Illuminance at a Distance

Distance from Luminaire	FC at Nadir	Beam Diameter
4'	35.5fc	6'-11"
6'	15.8fc	10'-4"
8'	8.9fc	13'-8"
10'	5.7fc	17'-2"
12'	4fc	20'-7"

### Zonal Lumen Summary

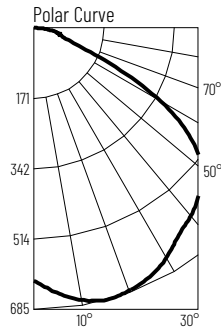
Zone	Lumens	% Luminaire
0-30	401	38
0-40	606	57.4
0-60	923	87.4
0-90	1055	100
90-180	0	0
0-180	1055	100

### Candela Table

Vertical Angles	Candela
0	567
5	596
15	632
25	617
35	568
45	527

### Test Information

Test Number: NTR2071R1  
 Part Number: NLRS-6S12L130W  
 Beam Spread: 81° Narrow Flood  
 Lumens: 1144lm  
 Wattage: 15.63W  
 Efficacy: 73lpw  
 CCT / CRI: 3000K / 90 CRI  
 Spacing Criteria (0°-180°): 1.52  
 Spacing Criteria (90°-270°): 1.06



### Illuminance at a Distance

Distance from Luminaire	FC at Nadir	Beam Diameter
4'	38.4fc	6'-11"
6'	17.1fc	10'-4"
8'	9.6fc	13'-8"
10'	6.1fc	17'-2"
12'	4.3fc	20'-6"

### Zonal Lumen Summary

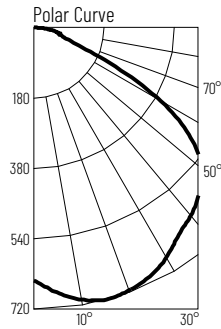
Zone	Lumens	% Luminaire
0-30	435	38.0
0-40	657	57.4
0-60	1000	87.4
0-90	1144	100
90-180	0	0
0-180	1144	100

### Candela Table

Vertical Angles	Candela
0	615
5	647
15	685
25	669
35	616
45	571

### Test Information

Test Number: NTR2072R1  
 Part Number: NLRS-6S12L140W  
 Beam Spread: 81° Flood  
 Lumens: 1203lm  
 Wattage: 15.63W  
 Efficacy: 77lpw  
 CCT / CRI: 4000K / 90 CRI  
 Spacing Criteria (0°-180°): 1.52  
 Spacing Criteria (90°-270°): 1.06



### Illuminance at a Distance

Distance from Luminaire	FC at Nadir	Beam Diameter
4'	40.4fc	6'-11"
6'	18fc	10'-4"
8'	10.1fc	13'-7"
10'	6.5fc	17'-2"
12'	4.5fc	20'-7"

### Zonal Lumen Summary

Zone	Lumens	% Luminaire
0-30	457	38
0-40	691	57.4
0-60	1052	87.4
0-90	1203	100
90-180	0	0
0-180	1203	100

### Candela Table

Vertical Angles	Candela
0	647
5	680
15	720
25	703
35	648
45	600