

# NLOPAC-R7MS

7" AC Opal - Surface Mounted LED with PIR Motion Sensor

Source: 15W LED  
1050lm

Type \_\_\_\_\_

Project \_\_\_\_\_

Catalog No. \_\_\_\_\_

Notes \_\_\_\_\_

## PRODUCT DESCRIPTION

The AC Opal LED Series LED fixture is designed to surface mount over a standard junction box. The low profile luminaire produces even illumination and integral PIR sensor activates when motion is detected. After 3 minutes of no motion, the fixture automatically turns off.

## FEATURES

- Integral PIR Motion Sensor
- AC LED (No Driver)
- 3000K or 4000K @ 90+ CRI
- Mount on standard junction box
- Can be used with recessed housings when used with optional retrofit kit
- ENERGY STAR certified
- cETLus Listed for Wet Locations

## SPECIFICATION

**Construction:** One piece die-cast aluminum formed luminaire. Aluminum body dissipates heat and extends life. Polycarbonate lens with integrated PIR motion sensor.

**Mounting:** AC Opal (no driver) is flat on the back and suitable for installation on or over most standard junction boxes.

**PIR Motion Sensor:** PIR (passive infrared) motion sensor for easy on/off operation. The sensor activates when motion is detected. After 3 minutes of no motion, the fixture automatically turns off. PIR sensor can detect motion up to 16' diameter away (unobstructed) when mounted at 8'.

**Ratings:** IC rated when used with a electrical junction box rated for direct contact with insulation. Fire rated when used with a fire rated junction box.

## ELECTRICAL

**Input Voltage:** 120V

**Input Frequency:** 50/60Hz

**Lumens / Wattage:** 1050lm / 15W (0.5W stand by power)

**Color Temperature:** 3000K or 4000K

**Color Rendering Index:** 90+ CRI

**Operating temperature:** -20°C to 45°C

**Dimming:** Non-Dimmable

## RETROFIT KIT

**NLOPAC-56RECKIT-2:** Opal can be mounted in 5" or 6" recessed housings using optional torsion spring kit.



## LISTINGS

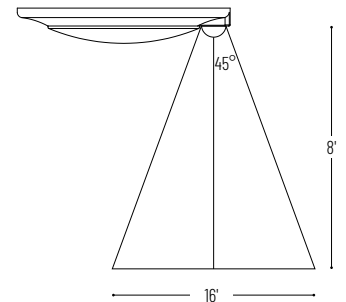
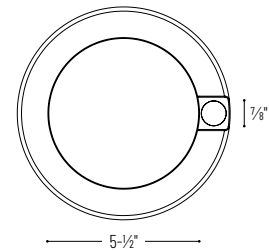
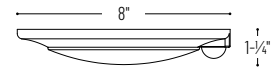
- cETLus Listed for wet locations
- ENERGY STAR certified
- 5-Year Limited Warranty
- Suitable for use in closets when installed in accordance to NEC Section 410.16 (A)(1) and 410.16 (C)(1).



## Performance Data

| Part Number           | Lumens | CCT   |
|-----------------------|--------|-------|
| <b>NLOPAC-R7MS30W</b> | 1044lm | 3000K |
| <b>NLOPAC-R7MS40W</b> | 1054lm | 4000K |

## PRODUCT IMAGES AND DIMENSIONS



Range of Motion Sensor  
(not to scale)

## 7" AC Opal with PIR Motion Sensor

| Size / Lumens / Wattage                | Color Temperature / CRI                                  | Finish           |
|--|--|------------------|
| <b>NLOPAC-R7MS = 7" / 1050lm / 15W</b> | <b>30</b> = 3000K / 90 CRI<br><b>40</b> = 4000K / 90 CRI | <b>W</b> = White |

## Optional Accessory

| Description   |
|---|
| <b>NLOPAC-56RECKIT</b> = Torsion Spring Kit / Recessed Retrofit Kit |

Example: **NLOPAC-R7MS30W** = 7" AC Opal with PIR Motion Sensor, 1050lm / 15W, 3000K / 90 CRI, White finish

# PHOTOMETRICS

## 7" AC Opal - Surface Mounted LED with PIR Motion Sensor

Type \_\_\_\_\_

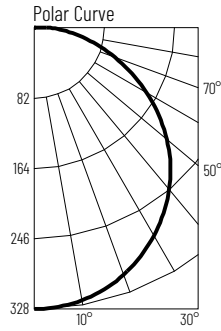
Project \_\_\_\_\_

Catalog No. \_\_\_\_\_

Notes \_\_\_\_\_

### Test Information

Test Number: NTR1189R1  
 Part Number: NLOPAC-R7MS30W  
 Lumens: 1044lm  
 Wattage: 14.5W  
 Efficacy: 72lpw  
 CCT / CRI: 3000K / 90 CRI  
 Spacing Criteria (0°-180): 1.28  
 Spacing Criteria (90°-270): 1.28



### Illuminance at a Distance

| Distance from Luminaire | FC at Nadir | Beam Diameter |
|-------------------------|-------------|---------------|
| 2'                      | 81.9fc      | 6'-5"         |
| 4'                      | 20.5fc      | 12'-11"       |
| 6'                      | 9.1fc       | 19'-4"        |
| 8'                      | 5.1fc       | 25'-10"       |
| 10'                     | 3.3fc       | 32'-2"        |

### Zonal Lumen Summary

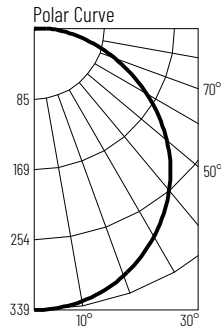
| Zone   | Lumens | % Luminaire |
|--------|--------|-------------|
| 0-30   | 211    | 20.2        |
| 0-40   | 353    | 33.8        |
| 0-60   | 733    | 70.3        |
| 0-90   | 1011   | 96.9        |
| 90-180 | 33     | 3           |
| 0-180  | 1044   | 100         |

### Candela Table

| Vertical Angles | Candela |
|-----------------|---------|
| 0               | 328     |
| 5               | 326     |
| 15              | 315     |
| 25              | 294     |
| 35              | 264     |
| 45              | 226     |

### Test Information

Test Number: NTR1153R2  
 Part Number: NLOPAC-R7MS40W  
 Lumens: 1054lm  
 Wattage: 14.22W  
 Efficacy: 74lpw  
 CCT / CRI: 4000K / 90 CRI  
 Spacing Criteria (0°-180): 1.28  
 Spacing Criteria (90°-270): 1.28



### Illuminance at a Distance

| Distance from Luminaire | FC at Nadir | Beam Diameter |
|-------------------------|-------------|---------------|
| 2'                      | 84.7fc      | 6'-4"         |
| 4'                      | 21.2fc      | 12'-8"        |
| 6'                      | 9.4fc       | 19'           |
| 8'                      | 5.3fc       | 25'-5"        |
| 10'                     | 3.4fc       | 31'-8"        |

### Zonal Lumen Summary

| Zone   | Lumens | % Luminaire |
|--------|--------|-------------|
| 0-30   | 264    | 25.1        |
| 0-40   | 435    | 41.3        |
| 0-60   | 779    | 73.9        |
| 0-90   | 1031   | 97.8        |
| 90-180 | 23     | 2.2         |
| 0-180  | 1054   | 100         |

### Candela Table

| Vertical Angles | Candela |
|-----------------|---------|
| 0               | 339     |
| 5               | 338     |
| 15              | 326     |
| 25              | 304     |
| 35              | 273     |
| 45              | 233     |