

# NIOB-2SG

2" Iolite Square Adjustable Gimbal

Source: 14W LED

800lm or 1000lm

Type

Project

Catalog No.

Notes

## PRODUCT DESCRIPTION

2" Iolite downlights can be specified for use with Iolite new construction or remodel housings. Die-cast adjustable surface gimbals adjust to aim the light source in desired direction.

## FEATURES

- 800lm / 14W or 1000lm / 14W
- 2700K, 3000K, 3500K, 4000K, 5000K @ 90+ CRI
- Comfort Dim (warm dimming) also available in 800lm only
- 60° (Flood) optic installed, 38° (Narrow flood) and 25° (Spot) optics included
- 5-Year limited warranty

## SPECIFICATION

**Construction:** Trims are constructed of heat dissipating, die-cast aluminum. The aluminum die-cast LED heat sink is threaded to fit the reflector and transfer heat.

**Mounting:** Luminaire includes friction blades to mount securely to housing.

## OPTICS

**800-1000lm:** Three field changeable optics (spot, narrow flood and flood) are included with each LED module. Premium 10° TIR narrow spot optic assembly also available ([Click Here](#) for more information). Optional frosted and TIR optics are also available.

## ELECTRICAL

**Lumens / Wattage:** 800lm or 1000lm / 14W

**Color Temperature:** 2700K, 3000K, 3500K, 4000K, 5000K

**Color Rendering Index:** 90+ CRI

**Operating Temperature:** 0°C to 40°C ambient temperature

**Lifetime:** 50,000 hours @ L70

**Comfort Dim:** Comfort Dim color tunes the temperature from a bright 3100K, to a romantic and comfortable 2000K on a gradual, even curve. Available in 800lm only.

**Dimming:** Specified by housing

## COMPATIBLE HOUSINGS

Luminaires are compatible with respective Iolite housings manufactured by Nora Lighting.

CATALOG NO.	DESCRIPTION	LUMENS / WATTAGE
<a href="#">NHIOICD-28</a>	ICAT New Construction	800-1000lm / 14W
<a href="#">NHIOICDP-28</a>	Chicago Plenum	800-1000lm / 14W
<a href="#">NHRIOIC-28</a>	ICAT Remodel	800-1000lm / 14W

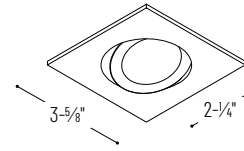
**Accessories:** Luminaires will accommodate (1) hex louver and (1) translucent deco collar or opaque snoot, no accessory holder is required, see accessories page. Flush mount mud ring is available to give the appearance of a trimless reflector, compatible with new construction housing only.

## LABELS AND LISTINGS

- cULus Listed for Damp Locations
- ENERGY STAR certified
- [5-Year Limited Warranty](#)
- RoHS Compliant
- Certified to the high efficacy requirements of California Title 24 JA8-2022



## PRODUCT IMAGES & DIMENSIONS



### NIOB-2SG

Square Adjustable Surface Gimbal  
Adjustability:  
New Construction: 30° / Remodel: 15°



**BB**  
Black



**BZ**  
Bronze



**MPW**  
Matte Powder White



**NN**  
Natural Metal



**WW**  
White

## 2" Iolite Square Adjustable Gimbal - Dedicated Housing Required

Reflector Type	Color Temp.	Finish	Lumens / Wattage
<b>NIOB-2SG</b> = Square Adjustable Gimbal	<b>50X</b> = 5000K*	<b>BB</b> = Black	(blank) = 800lm / 14W
	<b>CDX</b> = Comfort Dim†	<b>BZ</b> = Bronze	
	<b>27X</b> = 2700K	<b>MPW</b> = Matte Powder White	<b>/10</b> = 1000lm / 14W
	<b>30X</b> = 3000K	<b>NN</b> = Natural Metal	
	<b>35X</b> = 3500K	<b>WW</b> = White	
	<b>40X</b> = 4000K		
	<b>50X</b> = 5000K		

\* 5000K LED modules in 800lm are while supplies last

† Comfort Dim available in 800lm only and 1" Iolite uses a different dimming curve than 2" & 4" Iolite

## Compatible Housings

Housing Type
<b>NHIOICD-28</b> = ICAT New Construction / 800-1000lm / 14W
<b>NHIOICDP-28</b> = Chicago Plenum / 800-1000lm / 14W
<b>NHRIOIC-28</b> = ICAT Remodel / 800-1000lm / 14W

Example: **NIOB-2SG50XWW** = 2" Iolite Square Adjustable Gimbal, 5000K, White finish, 800lm / 14W

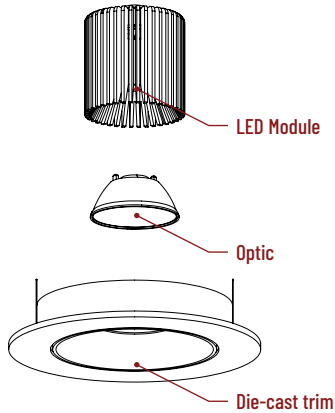
# 2" Iolite Accessories

## 2" Iolite Square Adjustable Gimbal

Type
Project
Catalog No.
Notes

### FIELD CHANGEABLE OPTICS

Iolite reflectors include 25°, 38° and 60° optics. Optics can be changed in the field by removing LED module from die-cast reflector. Replacement optics include an optional frosted lens.



#### Frosted Filter-Optic

**NIO-REFL38FR** 60° Optic  
**NIO-REFL60FR** 73° Optic

Not compatible with /HL LED module.

#### Premium TIR Optics

**NIO-REFLTIR15** 22° Optic  
**NIO-REFLTIR25** 26° Optic

Not compatible with /HL, Comfort Dim (CDX) LED modules or Hex Cell Louver.

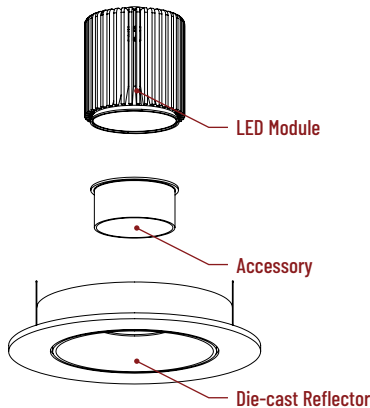
#### 10° TIR Optic Assembly

Specialized narrow spot LED module assembly is also available. Requires LE4 housing. [Click Here](#) for more information.



### ACCESSORIES

Iolite accessories can be added at any point in the design process. Accessories easily install between LED module and die-cast reflector. Luminaire will accommodate (1) hex louver and (1) collar accessory, no accessory holder required.



#### Translucent Decorative Collar

**NIO-AS14(color)** 5/8" length  
**NIO-AS19(color)** 3/4" length  
**NIO-AS26(color)** 1" length

**Color:**  
**AM** (amber), **BLU** (blue), **FR** (frosted), **R** (red)

Translucent collars color the aperture with the specified color while producing white general light. Collars are available in different lengths. Use to add interest, create a theme, match a theme or define a space.

#### Opaque Collar Snoot

**NIO-AS14(color)** 5/8" length  
**NIO-AS19(color)** 3/4" length  
**NIO-AS26(color)** 1" length

**Color:**  
**MPW** (matte powder white), **WH** (white)

Opaque snoot greatly reduces aperture brightness while preserving light output.

#### Hex Cell Louver

**NIO-HC** Black

Hex cell louver subtly reduces aperture brightness by reducing light output by about 20%.

**Hex cell louver is not compatible with TIR optics.**

### FLUSH MOUNT

2" Iolite reflectors can be installed flush with the drywall for a flush mount appearance. A flush mount mud ring is installed after the drywall and a professional drywall finisher floats the ceiling to blend in the mud ring.

#### Flush Mount Mud Ring



**NIO-FMMR-2S** Square Mud Ring

Mounts trim flush to ceiling with reflector flange visible. Mud ring attaches to drywall. **Only for use with NH10ICD-28 or NH10ICDCP-28 new construction housings and NIOB-2S reflectors.** Dimensions: 7-7/8" diameter 1/2" thick