

NI0B-2RSL

2" Iolite Round Adjustable Slot Aperture

Source: 14W to 28W LED
800lm to 2500lm

Type

Project

Catalog No.

Notes

PRODUCT DESCRIPTION

2" Iolite downlights can be specified for use with Iolite new construction or remodel housings. Adjustable slot aperture focus the beam spread through 1-3/4" x 1-3/8" opening.

FEATURES

- 800lm, 1000lm, 1500lm, 2000lm or 2500lm LED packages
- 2700K, 3000K, 3500K, 4000K, 5000K @ 90+ CRI
- Comfort Dim (warm dimming) also available in 800lm only
- 60° (Flood) optic installed, 38° (Narrow flood) and 25° (Spot) optics included
- 5-Year limited warranty

SPECIFICATION

Construction: Trims are constructed of heat dissipating, die-cast aluminum. The aluminum die-cast LED heat sink is threaded to fit the reflector and transfer heat.

Mounting: Luminaire includes friction blades to mount securely to housing.

OPTICS

800-1000lm: Three field changeable optics (spot, narrow flood and flood) are included with each LED module. Premium 10° TIR narrow spot optic assembly also available ([Click Here](#) for more information). Optional frosted and TIR optics are also available.

1500-2500lm: Three field changeable TIR optics (spot, narrow flood and flood) are included with each LED module.

ELECTRICAL

Lumens / Wattage: 800lm / 14W, 1000lm / 14W, 1500lm / 20W, 2000lm / 24W, 2500lm / 28W

Color Temperature: 2700K, 3000K, 3500K, 4000K, 5000K

Color Rendering Index: 90+CRI

Operating Temperature: 0°C to 40 C ambient temperature

Lifetime: 50,000 hours @ L70

Comfort Dim: Comfort Dim color tunes the temperature from a bright 3100K, to a romantic and comfortable 2000K on a gradual, even curve. Available in 800lm only.

Dimming: Specified by housing

COMPATIBLE HOUSINGS

Luminaires are compatible with respective Iolite housings manufactured by Nora Lighting.

CATALOG NO.	DESCRIPTION	LUMENS / WATTAGE
NHIOICD-28	ICAT New Construction	800-1000lm / 14W
NHIOICDCP-28	Chicago Plenum	800-1000lm / 14W
NHRIOIC-28	ICAT Remodel	800-1000lm / 14W
NHIOICD-215	ICAT New Construction	1500lm / 20W
NHIOICDCP-215	Chicago Plenum	1500lm / 20W
NHIOICD-220	ICAT New Construction	2000lm / 24W
NHIOICDCP-220	Chicago Plenum	2000lm / 24W
NHIOICD-225	ICAT New Construction	2500lm / 28W
NHIOICDCP-225	Chicago Plenum	2500lm / 28W

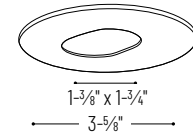
Accessories: Luminaires will accommodate (1) hex louver and (1) translucent deco collar or opaque snoot, no accessory holder is required, see accessories page. Flush mount mud ring is available to give the appearance of a trimless reflector, compatible with new construction housing only.

LABELS AND LISTINGS

- cULus Listed for Damp Locations
- ENERGY STAR certified
- [5-Year Limited Warranty](#)
- RoHS Compliant
- Certified to the high efficacy requirements of California Title 24 JA8-2022



PRODUCT IMAGES & DIMENSIONS



NI0B-2RSL

Round Adjustable Slot Aperture

Adjustability:

New Construction: 30° / Remodel: 15°



BB

Black Slot Aperture
Black Flange



BMPW

Black Slot Aperture
Matte Powder White Flange



HZMPW

Haze Slot Aperture
Matte Powder White Flange



MPW

Matte Powder White Aperture
Matte Powder White Flange

2" Iolite Round Adjustable Slot Aperture - Dedicated Housing Required

Reflector Type	Color Temp.	Finish	Lumens / Wattage
NI0B-2RSL = Round Adjustable Slot Aperture	50X = 5000K*	BB = Black / Black	(blank) = 800lm / 14W
	CDX = Comfort Dim†	BMPW = Black / Matte Powder White	
	27X = 2700K	HZMPW = Haze / Matte Powder White	/10 = 1000lm / 14W
	30X = 3000K	MPW = Matte Powder White	/HL = 1500-2500lm (varies by housing)
	35X = 3500K		
	40X = 4000K		
	50X = 5000K		

* 5000K LED modules in 800lm are while supplies last

† Comfort Dim available in 800lm only and 1" Iolite uses a different dimming curve than 2" & 4" Iolite

Compatible Housings

Housing Type
NHIOICD-28 = ICAT New Construction / 800-1000lm / 14W
NHIOICDCP-28 = Chicago Plenum / 800-1000lm / 14W
NHRIOIC-28 = ICAT Remodel / 800-1000lm / 14W
NHIOICD-215 = ICAT New Construction / 1500lm / 20W
NHIOICDCP-215 = Chicago Plenum / 1500lm / 20W
NHIOICD-220 = ICAT New Construction / 2000lm / 24W
NHIOICDCP-220 = Chicago Plenum / 2000lm / 24W
NHIOICD-225 = ICAT New Construction / 2500lm / 28W
NHIOICDCP-225 = Chicago Plenum / 2500lm / 28W

Example: NI0B-2RSL50XBB = 2" Iolite Round Adjustable Slot Aperture, 5000K, Black finish, 800lm / 14W

2" Iolite Accessories

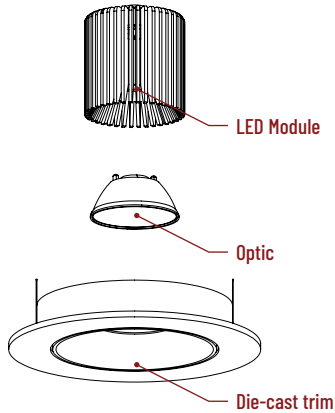
2" Iolite Round Adjustable Slot Aperture

Type
Project
Catalog No.
Notes

FIELD CHANGEABLE OPTICS

Iolite reflectors include spot, narrow flood and flood optics. Optics can be changed in the field by removing LED module from die-cast reflector. Replacement optics include an optional frosted lens.

Note: Frosted filter-optics and Premium TIR optics are not compatible with /HL LED modules.



Frosted Filter-Optic

NIO-REFL38FR
NIO-REFL60FR

60° Optic
73° Optic

Not compatible with /HL LED module.



Premium TIR Optics

NIO-REFLTIR15
NIO-REFLTIR25

22° Optic
26° Optic

Not compatible with /HL, Comfort Dim (CDX) LED modules or Hex Cell Louver.

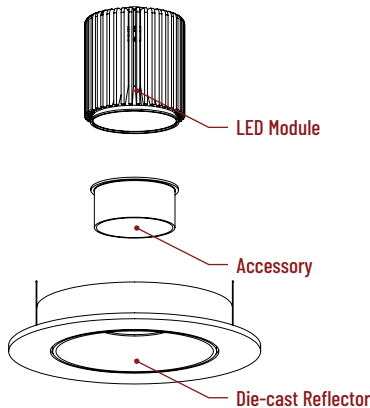


10° TIR Optic Assembly

Specialized narrow spot LED module assembly is also available. Requires LE4 housing. [Click Here](#) for more information.

ACCESSORIES

Iolite accessories can be added at any point in the design process. Accessories easily install between LED module and die-cast reflector. Luminaire will accommodate (1) hex louver and (1) collar accessory, no accessory holder required.



Translucent Decorative Collar

NIO-AS14(color) 5/8" length
NIO-AS19(color) 3/4" length
NIO-AS26(color) 1" length
Color:
AM (amber), BLU (blue), FR (frosted), R (red)

Translucent collars color the aperture with the specified color while producing white general light. Collars are available in different lengths. Use to add interest, create a theme, match a theme or define a space.



Opaque Collar Snoot

NIO-AS14(color) 5/8" length
NIO-AS19(color) 3/4" length
NIO-AS26(color) 1" length
Color:
MPW (matte powder white), WH (white)

Opaque snoot greatly reduces aperture brightness while preserving light output.



Hex Cell Louver

NIO-HC Black
Hex cell louver subtly reduces aperture brightness by reducing light output by about 20%.

Hex cell louver is not compatible with TIR optics.

FLUSH MOUNT

2" Iolite reflectors can be installed flush with the drywall for a flush mount appearance. A flush mount mud ring is installed after the drywall and a professional drywall finisher floats the ceiling to blend in the mud ring.

Flush Mount Mud Ring



NIO-FMMR-2R Round Mud Ring

Mounts trim flush to ceiling with reflector flange visible. **Mud ring attaches to drywall. Requires and only for use with NHIOICD-28 or NHIOICDCP-28 new construction housings and NIOB-2R reflectors.**
Dimensions: 7-7/8" diameter 1/2" thick