

NIOB-1RSL

1" Iolite BWF Round Slot Aperture

Source: 9W or 10W LED
600lm

Type

Project

Catalog No.

Notes

PRODUCT DESCRIPTION

1" Iolite BWF reflectors can be specified for use with Iolite new construction or remodel housings. Adjustable slot aperture focus the beam spread through 1-1/8" x 1-3/8" opening.

FEATURES

- 600lm / 9W or 10W
- 2700K, 3000K, 3500K, 4000K, 5000K @ 90+ CRI
- Comfort Dim Technology
- 60° (Flood) optic installed, 40° (Narrow flood) and 20° (Spot) optics included
- 5-Year limited warranty

SPECIFICATION

Construction: Reflectors are constructed of heat dissipating, die-cast aluminum. The aluminum die-cast LED heat sink is threaded to fit the reflector and transfer heat.

Mounting: Reflector includes friction blades to mount securely to housing.

Field Changeable Optics: Each reflector comes with a 60° (installed), 40° and 20° optics (included).

ELECTRICAL

Lumens / Wattage: 600lm / wattage varies by housing (9W / LE3 or 10W / LE4)

Color Temperature: 2700K, 3000K, 3500K, 4000K, 5000K

CRI: 90+CRI

Operating Temp.: 0°C to 40°C ambient temperature

Lifetime: 50,000 hours @ L70

Comfort Dim: Comfort Dim color tunes the temperature from a bright 3000K, to a romantic and comfortable 1900K on a gradual, even curve.

Dimming: Specified by housing

COMPATIBLE HOUSINGS

Reflectors are compatible with respective Iolite housings manufactured by Nora Lighting.

CATALOG NO.	DESCRIPTION	LUMENS / WATTAGE
NHIOICD-16LE3	ICAT New Construction, 120V; Triac/ELV	600lm / 9W
NHIOICD-16LE4	ICAT New Construction, 120-277V; Triac/ELV/0-10V	600lm / 10W
NHIOICDCP-16LE3	Chicago Plenum, 120V; Triac/ELV	600lm / 9W
NHIOICDCP-16LE4	Chicago Plenum, 120-277V; Triac/ELV/0-10V	600lm / 10W
NHRIOIC-16LE4	ICAT Remodel, 120-277V; Triac/ELV/0-10V	600lm / 10W

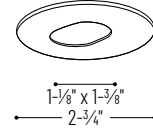
Accessories: Reflectors will accommodate (1) hex louver and (1) translucent deco collar or opaque snoot, no accessory holder is required, see accessories page.

LABELS AND LISTINGS

- cULus Listed for Damp Locations
- ENERGY STAR certified
- [5-Year Limited Warranty](#)
- RoHS Compliant
- Certified to the high efficacy requirements of California Title 24 JA8-2022



PRODUCT IMAGES & DIMENSIONS



NIOB-1RSL

Round Adjustable Slot Aperture

Adjustability:

New Construction: 30° / Remodel: 15°



BB

Black Slot Aperture
Black Flange



BMPW

Black Slot Aperture
Matte Powder White Flange



HZMPW

Haze Slot Aperture
Matte Powder White Flange



MPW

Matte Powder White Slot Aperture
Matte Powder White Flange

1" Iolite BWF Round Slot Aperture - Dedicated Housing Required

Reflector Type	Color Temp.	Finish
NIOB-1RSL = Round Slot Aperture	27X = 2700K	BB = Black / Black
	30X = 3000K	BMPW = Black / Matte Powder White
	35X = 3500K	HZMPW = Haze / Matte Powder White
	40X = 4000K	MPW = Matte Powder White
	50X = 5000K	
	CDX = Comfort Dim (3000K-1900K) [†]	

[†] 1" Comfort Dim uses a different dimming curve than 2" & 4" Comfort Dim

Compatible Housings

Housing Type
NHIOICD-16LE3 = ICAT New Construction / Triac/ELV / 600lm / 9W
NHIOICD-16LE4 = ICAT New Const. / Triac/ELV/0-10V / 600lm / 10W
NHIOICDCP-16LE3 = Chicago Plenum / Triac/ELV / 600lm / 9W
NHIOICDCP-16LE4 = Chicago Plenum / Triac/ELV/0-10V / 600lm / 10W
NHRIOIC-16LE4 = ICAT Remodel / Triac/ELV/0-10V / 600lm / 10W

Example: **NIOB-1RSL27XMPW** = 1" Iolite BWF Round Slot Aperture, 2700K, Matte Powder White finish, 600lm

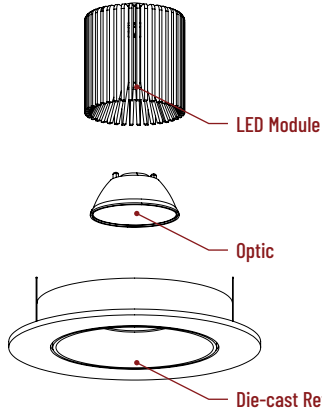
1" Iolite Accessories

1" Iolite BWF Round Slot Aperture

Type
Project
Catalog No.
Notes

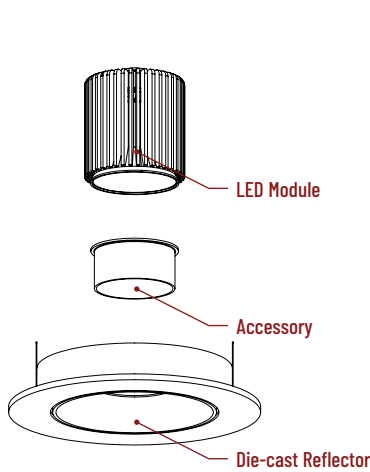
FIELD CHANGEABLE OPTICS

Iolite reflectors include 20°, 40° and 60° optics. Optics can be changed in the field by removing LED module from die-cast reflector. Replacement optics include an optional frosted lens.



ACCESSORIES

Iolite accessories can be added at any point in the design process. Accessories easily install between LED module and die-cast reflector. Luminaire will accommodate (1) hex louver and (1) collar accessory, no accessory holder required.



<p>Translucent Decorative Collar</p> <table> <tr> <td>NIO-1AS15(color)</td> <td>5/8" length</td> </tr> <tr> <td>NIO-1AS19(color)</td> <td>3/4" length</td> </tr> <tr> <td>NIO-1AS24(color)</td> <td>1" length</td> </tr> </table> <p>Color: AM (amber), BLU (blue), FR (frosted), R (red)</p> <p>Translucent collars color the aperture with the specified color while producing white general light. Collars are available in different lengths. Use to add interest, create a theme, match a theme or define a space.</p>	NIO-1AS15(color)	5/8" length	NIO-1AS19(color)	3/4" length	NIO-1AS24(color)	1" length	<p>Opaque Collar Snoot</p> <table> <tr> <td>NIO-1AS15(color)</td> <td>5/8" length</td> </tr> <tr> <td>NIO-1AS19(color)</td> <td>3/4" length</td> </tr> <tr> <td>NIO-1AS24(color)</td> <td>1" length</td> </tr> </table> <p>Color: MPW (matte powder white), WH (white)</p> <p>Opaque snoot greatly reduces aperture brightness while preserving light output.</p>	NIO-1AS15(color)	5/8" length	NIO-1AS19(color)	3/4" length	NIO-1AS24(color)	1" length	<p>Hex Cell Louver</p> <p>NIO-1HC Black</p> <p>Hex cell louver subtly reduces aperture brightness by reducing light output by about 20%.</p>
NIO-1AS15(color)	5/8" length													
NIO-1AS19(color)	3/4" length													
NIO-1AS24(color)	1" length													
NIO-1AS15(color)	5/8" length													
NIO-1AS19(color)	3/4" length													
NIO-1AS24(color)	1" length													

FLUSH MOUNT

1" Iolite BWF reflectors can be installed flush with the drywall for a flush mount appearance. A flush mount mud ring is installed after the drywall and a professional drywall finisher floats the ceiling to blend in the mud ring.



Flush Mount Mud Ring

NIO-FMMR-1R Round Mud Ring

Mounts trim flush to ceiling with reflector flange visible. **Mud ring attaches to drywall. Requires and only for use with NHIOICD-16 or NHIOICDCP-16 new construction housings and NIOB-1R reflectors.**

Dimensions: 7-7/8" diameter 1/2" thick