

# NI0B-1RNB

## 1" Iolite BWF Round Bullnose Reflector

Source: 9W or 10W LED  
600lm

Type

Project

Catalog No.

Notes

### PRODUCT DESCRIPTION

1" Iolite BWF reflectors can be specified for use with Iolite new construction or remodel housings. Bullnose reflector with a filleted aperture which allows for minimal aperture brightness while still producing the nadir footcandles.

### FEATURES

- 600lm / 9W or 10W
- 2700K, 3000K, 3500K, 4000K, 5000K @ 90+ CRI
- Comfort Dim Technology
- 60° (Flood) optic installed, 40° (Narrow flood) and 20° (Spot) optics included
- 5-Year limited warranty

### SPECIFICATION

**Construction:** Reflectors are constructed of heat dissipating, die-cast aluminum. The aluminum die-cast LED heat sink is threaded to fit the reflector and transfer heat.

**Mounting:** Reflector includes friction blades to mount securely to housing.

**Field Changeable Optics:** Each reflector comes with a 60° (installed), 40° and 20° optics (included).

### ELECTRICAL

**Lumens / Wattage:** 600lm / wattage varies by housing (9W / LE3 or 10W / LE4)

**Color Temperature:** 2700K, 3000K, 3500K, 4000K, 5000K

**CRI:** 90+CRI

**Operating Temp.:** 0°C to 40°C ambient temperature

**Lifetime:** 50,000 hours @ L70

**Comfort Dim:** Comfort Dim color tunes the temperature from a bright 3000K, to a romantic and comfortable 1900K on a gradual, even curve.

**Dimming:** Specified by housing

### COMPATIBLE HOUSINGS

Reflectors are compatible with respective Iolite housings manufactured by Nora Lighting.

CATALOG NO.	DESCRIPTION	LUMENS / WATTAGE
NHIOICD-16LE3	ICAT New Construction, 120V; Triac/ELV	600lm / 9W
NHIOICD-16LE4	ICAT New Construction, 120-277V; Triac/ELV/0-10V	600lm / 10W
NHIOICDCP-16LE3	Chicago Plenum, 120V; Triac/ELV	600lm / 9W
NHIOICDCP-16LE4	Chicago Plenum, 120-277V; Triac/ELV/0-10V	600lm / 10W
NHRI0IC-16LE4	ICAir-Tight Remodel, 120-277V; Triac/ELV/0-10V	600lm / 10W

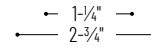
**Accessories:** Reflectors will accommodate (1) hex louver and (1) translucent deco collar or opaque snoot, no accessory holder is required, see accessories page. Flush mount mud ring is available to give the appearance of a trimless reflector, compatible with new construction housing only.

### LABELS AND LISTINGS

- cULus Listed for Wet Locations
- ENERGY STAR certified
- [5-Year Limited Warranty](#)
- RoHS Compliant
- Certified to the high efficacy requirements of California Title 24 JA8-2022



### PRODUCT IMAGES & DIMENSIONS



**NI0B-1RNB**  
Round Bullnose Reflector  
Non-Adjustable



**BB**  
Black



**BZ**  
Bronze



**MPW**  
Matte Powder White



**NN**  
Natural Metal



**WW**  
White

### 1" Iolite BWF Round Bullnose Reflector - Dedicated Housing Required

Reflector Type	Color Temp.	Finish
<b>NI0B-1RNB</b> = Round Bullnose	<b>27X</b> = 2700K	<b>BB</b> = Black
	<b>30X</b> = 3000K	<b>BZ</b> = Bronze
	<b>35X</b> = 3500K	<b>MPW</b> = Matte Powder White
	<b>40X</b> = 4000K	<b>NN</b> = Natural Metal
	<b>50X</b> = 5000K	<b>WW</b> = White
	<b>CDX</b> = Comfort Dim (3000K-1900K) <sup>†</sup>	

<sup>†</sup> 1" Comfort Dim uses a different dimming curve than 2" & 4" Comfort Dim

### Compatible Housings

Housing Type
<b>NHIOICD-16LE3</b> = ICAT New Construction / Triac/ELV / 600lm / 9W
<b>NHIOICD-16LE4</b> = ICAT New Const. / Triac/ELV/0-10V / 600lm / 10W
<b>NHIOICDCP-16LE3</b> = Chicago Plenum / Triac/ELV / 600lm / 9W
<b>NHIOICDCP-16LE4</b> = Chicago Plenum / Triac/ELV/0-10V / 600lm / 10W
<b>NHRI0IC-16LE4</b> = ICAT Remodel / Triac/ELV/0-10V / 600lm / 10W

Example: **NI0B-1RNB27XWW** = 1" Iolite Round Bullnose, 2700K, White finish, 800lm

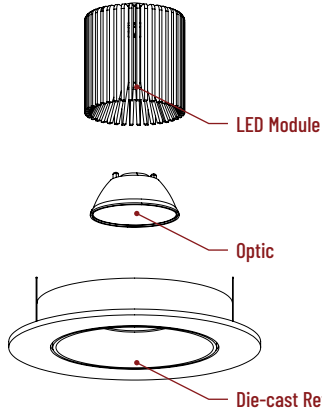
# 1" Iolite Accessories

## 1" Iolite BWF Round Bullnose Reflector

Type
Project
Catalog No.
Notes

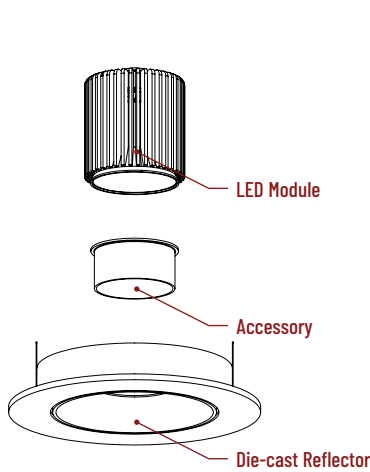
### FIELD CHANGEABLE OPTICS




Iolite reflectors include 20°, 40° and 60° optics. Optics can be changed in the field by removing LED module from die-cast reflector. Replacement optics include an optional frosted lens.



### ACCESSORIES

Iolite accessories can be added at any point in the design process. Accessories easily install between LED module and die-cast reflector. Luminaire will accommodate (1) hex louver and (1) collar accessory, no accessory holder required.



		
Translucent Decorative Collar	Opaque Collar Snoot	Hex Cell Louver
<p>NIO-1AS15(color)      5/8" length</p> <p>NIO-1AS19(color)      3/4" length</p> <p>NIO-1AS24(color)      1" length</p> <p><b>Color:</b> AM (amber), BLU (blue), FR (frosted), R (red)</p> <p>Translucent collars color the aperture with the specified color while producing white general light. Collars are available in different lengths. Use to add interest, create a theme, match a theme or define a space.</p>	<p>NIO-1AS15(color)      5/8" length</p> <p>NIO-1AS19(color)      3/4" length</p> <p>NIO-1AS24(color)      1" length</p> <p><b>Color:</b> MPW (matte powder white), WH (white)</p> <p>Opaque snoot greatly reduces aperture brightness while preserving light output.</p>	<p>NIO-1HC      Black</p> <p>Hex cell louver subtly reduces aperture brightness by reducing light output by about 20%.</p>

### FLUSH MOUNT

1" Iolite BWF reflectors can be installed flush with the drywall for a flush mount appearance. A flush mount mud ring is installed after the drywall and a professional drywall finisher floats the ceiling to blend in the mud ring.



Flush Mount Mud Ring

NIO-FMMR-1R      Round Mud Ring

Mounts trim flush to ceiling with reflector flange visible. **Mud ring attaches to drywall. Requires and only for use with NHIOICD-16 or NHIOICDCP-16 new construction housings and NIOB-1R reflectors.**

Dimensions: 7-7/8" diameter 1/2" thick

# PHOTOMETRICS

1" Iolite BWF Round Bullnose Reflector  
600 lumens

Type

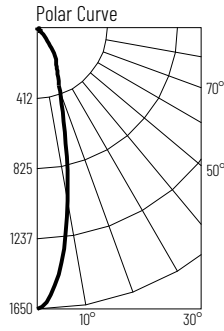
Project

Catalog No.

Notes

## Test Information

Test Number: NTR11201  
Part Number: NIOB-IRNB27MPW  
Beam Spread: 24° Spot  
Lumens: 587lm  
Wattage: 9.37W  
Efficacy: 63lpw  
CCT / CRI: 2700K / 90 CRI  
Spacing Criteria (0°-180): 0.42  
Spacing Criteria (90°-270): 0.42



## Illuminance at a Distance

Distance from Luminaire	FC at Nadir	Beam Diameter
4'	103fc	1'-10"
6'	45.8fc	2'-7"
8'	25.8fc	3'-6"
10'	16.5fc	4'-5"
12'	11.5fc	5'-4"

## Zonal Lumen Summary

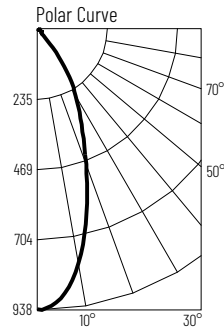
Zone	Lumens	% Luminaire
0-30	433	73.8
0-40	532	90.6
0-60	572	97.5
0-90	586	99.8
90-180	1	0.2
0-180	587	100

## Candela Table

Vertical Angles	Candela
0	1650
5	1454
15	633
25	280
35	163
45	28

## Test Information

Test Number: NTR11217  
Part Number: NIOB-IRNB27MPW  
Beam Spread: 40° Narrow Flood  
Lumens: 590lm  
Wattage: 9.46W  
Efficacy: 62lpw  
CCT / CRI: 2700K / 90 CRI  
Spacing Criteria (0°-180): 0.66  
Spacing Criteria (90°-270): 0.66



## Illuminance at a Distance

Distance from Luminaire	FC at Nadir	Beam Diameter
4'	58.5fc	3'
6'	26fc	4'-6"
8'	14.6fc	6'
10'	9.4fc	7'-6"
12'	6.5fc	8'-11"

## Zonal Lumen Summary

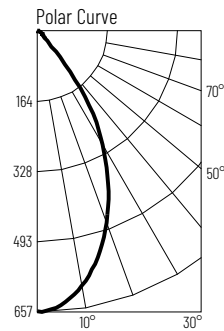
Zone	Lumens	% Luminaire
0-30	421	71.3
0-40	527	89.3
0-60	571	96.8
0-90	589	99.8
90-180	1	0.2
0-180	590	100

## Candela Table

Vertical Angles	Candela
0	935
5	899
15	639
25	351
35	174
45	26

## Test Information

Test Number: NTR11232  
Part Number: NIOB-IRNB27MPW  
Beam Spread: 57° Flood  
Lumens: 588lm  
Wattage: 9.43W  
Efficacy: 62lpw  
CCT / CRI: 2700K / 90 CRI  
Spacing Criteria (0°-180): 0.86  
Spacing Criteria (90°-270): 0.88



## Illuminance at a Distance

Distance from Luminaire	FC at Nadir	Beam Diameter
4'	41fc	4'-5"
6'	18.2fc	6'-7"
8'	10.2fc	8'-10"
10'	6.6fc	11'
12'	4.6fc	13'-2"

## Zonal Lumen Summary

Zone	Lumens	% Luminaire
0-30	392	66.6
0-40	521	88.6
0-60	569	96.7
0-90	586	99.6
90-180	2	0.4
0-180	588	100

## Candela Table

Vertical Angles	Candela
0	656
5	642
15	546
25	393
35	213
45	32

## Lumen Output Multipliers

Color Temperature: 2700K (1.00), 3000K (1.11), 3500K (1.12), 4000K (1.11), 5000K (1.14)