

# NIO-4STLND

## 4" Iolite Square Trimless Downlight

Source: 14W LED

800lm or 1000lm

Type

Project

Catalog No.

Notes

### PRODUCT DESCRIPTION

4" Trimless Iolite downlights have no exposed trim flange and do not extend beyond the ceiling plane. Iolite Trimless requires a Trimless Mud Ring and New Construction housing. Deep regressed cone reflectors optimize visual cut-off.

### FEATURES

- Trimless knife edge appearance
- 800lm or 1000lm LED packages
- Comfort Dim (warm dimming) also available in 800lm only
- 2700K, 3000K, 3500K, 4000K or 5000K @ 90+ CRI
- Flood optic, narrow flood and spot optics (included)
- 5-Year limited warranty

### SPECIFICATION

**Construction:** Trimless reflectors are constructed of heat dissipating, die-cast aluminum. The aluminum die-cast LED heat sink is threaded to fit the reflector and transfer heat.

**Mounting:** Luminaire includes friction blades to mount securely to trimless mud ring. A trimless mud ring is required per reflector.

### OPTICS

**800-1000lm:** Three field changeable optics (spot, narrow flood and flood) are included with each LED module. Premium 10° TIR narrow spot optic assembly also available ([Click Here](#) for more information). Optional frosted and TIR optics are also available.

### ELECTRICAL

**Lumens / Wattage:** 800lm / 14W, 1000lm / 14W

**Color Temperature:** 2700K, 3000K, 3500K, 4000K, 5000K

**Color Rendering Index:** 90+CRI

**Operating Temperature:** 0°C to 40°C ambient temperature

**Lifetime:** 50,000 hours @ L70

**Comfort Dim:** Comfort Dim color tunes the temperature from a bright 3100K, to a romantic and comfortable 2000K on a gradual, even curve. Available in 800lm only.

**Dimming:** Specified by housing

### COMPATIBLE HOUSINGS

Luminaires are compatible with respective Iolite housings manufactured by Nora Lighting.

#### CATALOG NO. DESCRIPTION

<a href="#">NHIOICD-48</a>	ICAT New Construction	800-1000lm / 14W
<a href="#">NHIOICDCP-48</a>	Chicago Plenum	800-1000lm / 14W

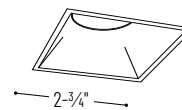
**Accessories:** Reflectors will accommodate (1) hex louver and (1) translucent deco collar or opaque snoot, no accessory holder is required, see page 3. A trimless mud ring is required per reflector.

### LABELS AND LISTINGS

- cULus Listed for Wet Locations
- ENERGY STAR certified
- [5-Year Limited Warranty](#)
- RoHS Compliant
- Certified to the high efficacy requirements of California Title 24 JA8-2022



### PRODUCT IMAGES AND DIMENSIONS



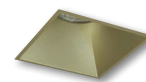
**NIO-4STLND**  
Square Trimless Reflector  
Non-Adjustable



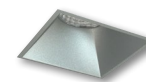
**BB**  
Black Reflector



**BZ**  
Bronze Reflector



**CH**  
Champagne Reflector



**HZ**  
Haze Reflector



**MPW**  
Matte Powder White Reflector



**WW**  
White Reflector

### 4" Iolite Square Trimless Reflector - New Construction Housing & Trimless Mud Ring Required

Reflector Type	Color Temp.	Finish	Lumens / Wattage
<b>NIO-4STLND</b> = Square Trimless	<b>50X</b> = 5000K*	<b>BB</b> = Black	(blank) = 800lm / 14W
	<b>CDX</b> = Comfort Dim (3100K-2000K) <sup>†</sup>	<b>BZ</b> = Bronze	
	<b>27X</b> = 2700K	<b>CH</b> = Champagne Haze	<b>/10</b> = 1000lm / 14W
	<b>30X</b> = 3000K	<b>HZ</b> = Haze	
	<b>35X</b> = 3500K	<b>MPW</b> = Matte Powder White	
	<b>40X</b> = 4000K	<b>WW</b> = White	
	<b>50X</b> = 5000K		

\* 5000K LED modules in 800lm are while supplies last

<sup>†</sup> Comfort Dim available in 800lm only and 1" Iolite uses a different dimming curve than 2" & 4" Iolite

### Compatible Housings

Housing Type
<b>NHIOICD-48</b> = ICAT New Construction / 800-1000lm / 14W
<b>NHIOICDCP-48</b> = Chicago Plenum / 800-1000lm / 14W

### 4" Iolite Trimless Mud Ring

Description
<b>NIO-TLMR-4S</b> = 4" Square Trimless Mud Ring

Example: **NIO-4STLND50XWW / NIO-TLMR-4S** = 4" Iolite Square Trimless Non-Adjustable Reflector, 5000K, White finish, 800lm / 4" Square Trimless Mud Ring

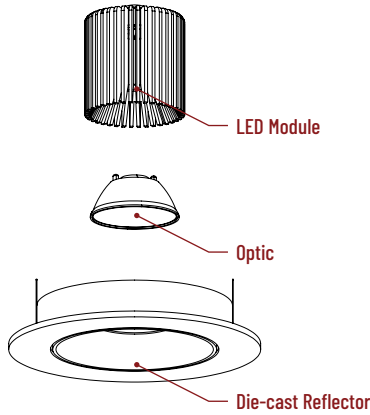
# 4" Iolite Accessories

## 4" Iolite Square Trimless Downlight

Type	
Project	
Catalog No.	
Notes	

### FIELD CHANGEABLE OPTICS

Iolite reflectors include 25°, 38° and 60° optics. Optics can be changed in the field by removing LED module from die-cast reflector. Replacement optics include an optional frosted lens.



Frosted Filter-Optic

**NIO-REFL38FR**  
**NIO-REFL60FR**

60° Optic  
73° Optic

Not compatible with /HL LED module.



Premium TIR Optics

**NIO-REFLTIR15**  
**NIO-REFLTIR25**

22° Optic  
26° Optic

Not compatible with /HL, Comfort Dim (CDX) LED modules or Hex Cell Louver.

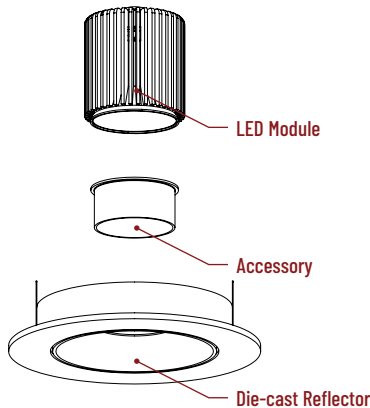


10° TIR Optic Assembly

Specialized narrow spot LED module assembly is also available. Requires LE4 housing. [Click Here](#) for more information.

### ACCESSORIES

Iolite accessories can be added at any point in the design process. Accessories easily install between LED module and die-cast reflector. Luminaire will accommodate (1) hex louver and (1) collar accessory, no accessory holder required.



Translucent Decorative Collar

**NIO-AS14(color)** 5/8" length  
**NIO-AS19(color)** 3/4" length  
**NIO-AS26(color)** 1" length  
**Color:**  
**AM** (amber), **BLU** (blue), **FR** (frosted), **R** (red)

Translucent collars color the aperture with the specified color while producing white general light. Collars are available in different lengths. Use to add interest, create a theme, match a theme or define a space.



Opaque Collar Snoot

**NIO-AS14(color)** 5/8" length  
**NIO-AS19(color)** 3/4" length  
**NIO-AS26(color)** 1" length  
**Color:**  
**MPW** (matte powder white), **WH** (white)

Opaque snoot greatly reduces aperture brightness while preserving light output.



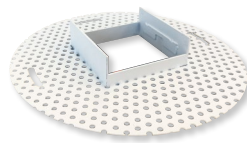
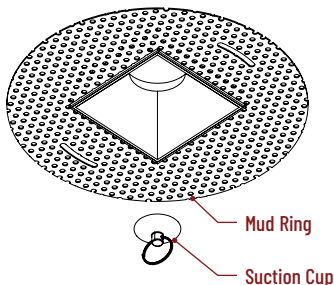
Hex Cell Louver

**NIO-HC** Black  
Hex cell louver subtly reduces aperture brightness by reducing light output by about 20%.

**Hex cell louver is not compatible with TIR optics.**

### TRIMLESS

4" Iolite trimless reflectors have no exposed trim flange and the result is a minimalist knife edge appearance. A trimless mount mud ring is installed after the drywall and a professional drywall finisher floats the ceiling to blend in the mud ring.



Trimless Mount Mud Ring

**NIO-TLMR-4S** Square Mud Ring

Mounts trimless reflector with no exposed flange and no extension beyond ceiling plane. Mud ring attaches to drywall. **Only for use with NH10ICD-48 or NH10ICDCP-48 new construction housings and NIO-4STL reflectors.**  
Dimensions: 7-7/8" diameter 1/2" thick



Suction Cup for Removal

**NIO-TLSUCTION**

Assist removing trimless reflector from finished ceiling after installation. For maintenance on trimless reflector.