

NIO-4RTLA

4" Iolite Round Trimless Adjustable

Source: 14W to 24W LED
800lm to 2000lm

Type

Project

Catalog No.

Notes

PRODUCT DESCRIPTION

4" Trimless Iolite downlights have no exposed trim flange and do not extend beyond the ceiling plane. Iolite Trimless requires a Trimless Mud Ring and New Construction housing. Regressed cone reflector optimizes visual cut-off and adjust up to 35°.

FEATURES

- Trimless knife edge appearance
- 800lm, 1000lm, 1500lm or 2000lm LED packages
- 2700K, 3000K, 3500K, 4000K, 5000K @ 90+ CRI
- Comfort Dim (warm dimming) also available in 800lm only
- Flood optic, narrow flood and spot optics (included)
- 5-Year limited warranty

SPECIFICATION

Construction: Trims are constructed of heat dissipating, die-cast aluminum. The aluminum die-cast LED heat sink is threaded to fit the reflector and transfer heat.

Mounting: Luminaire includes stainless steel friction clips to mount securely to trimless mud ring. Mud ring is required per trimless downlight.

OPTICS

800-1000lm: Each luminaire includes field changeable optics (25° spot, 38° narrow flood and 60° flood - pre-installed). Premium 15° and 25° TIR optics are available, see page 2. 10° Narrow spot optic, [Click Here](#) for more information.

1500-2000lm: Each reflector includes field changeable TIR optics (30° spot, 45° narrow flood - pre-installed and 65° flood).

ELECTRICAL

Lumens / Wattage: 800lm / 14W, 1000lm / 14W, 1500lm / 20W, 2000lm / 24W

Color Temperature: 2700K, 3000K, 3500K, 4000K, 5000K

Color Rendering Index: 90+ CRI

Operating Temperature: Specified by housing

Lifetime: 50,000 hours @ L70

Comfort Dim: Comfort Dim color tunes the temperature from a bright 3100K, to a romantic and comfortable 2000K on a gradual, even curve. Available in 800lm only.

Dimming: Specified by housing

COMPATIBLE HOUSINGS

Luminaires are compatible with respective Iolite housings manufactured by Nora Lighting.

CATALOG NO.	DESCRIPTION	LUMENS / WATTAGE
NHIOICD-48	ICAT New Construction	800-1000lm / 14W
NHIOICDCP-48	Chicago Plenum	800-1000lm / 14W
NHIOICD-415	ICAT New Construction	1500lm / 20W
NHIOICDCP-415	Chicago Plenum	1500lm / 20W
NHIOICD-420	ICAT New Construction	2000lm / 24W
NHIOICDCP-420	Chicago Plenum	2000lm / 24W

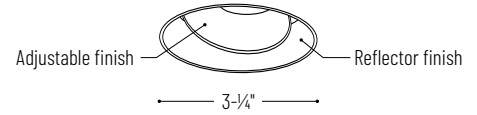
Accessories: Reflectors will accommodate (1) hex louver and (1) translucent deco collar or opaque snoot, no accessory holder is required, see page 3. A trimless mud ring is required per reflector.

LABELS AND LISTINGS

- cULus Listed for Damp Locations
- ENERGY STAR certified
- [5-Year Limited Warranty](#)
- RoHS Compliant
- Certified to the high efficacy requirements of California Title 24 JA8-2022



PRODUCT IMAGES AND DIMENSIONS



NIO-4RTLA

Round Trimless Adjustable

Adjustability: 35° (800-1000lm) / 20° (1500-2000lm)



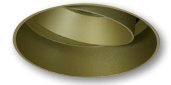
BB
Black Adjustable
Black Reflector



BW
Black Adjustable
White Reflector



BZ
Bronze Adjustable
Bronze Reflector



CH
Champagne Haze Adjustable
Champagne Haze Reflector



CHMPW
Champagne Haze Adjustable
Matte Powder White Reflector



HW
Haze Adjustable
White Reflector



HZ
Haze Adjustable
Haze Reflector



HZMPW
Haze Adjustable
Matte Powder White Reflector



MPW
Matte Powder White Adjustable
Matte Powder White Reflector



WW
White Adjustable
White Reflector

4" Iolite Round Trimless Adjustable Reflector - New Construction Housing & Trimless Mud Ring Required

Reflector Type	Color Temp.	Finish	Lumens / Wattage
NIO-4RTLA = Round Trimless Adjustable	50X = 5000K*	BB = Black	(blank) = 800lm / 14W
	CDX = Comfort Dim [†]	BW = Black / White	
	27X = 2700K	BZ = Bronze	/10 = 1000lm / 14W /HL = 1500-2000lm (varies by housing)
	30X = 3000K	CH = Champagne Haze	
	35X = 3500K	CHMPW = Champagne Haze / Matte Powder White	
	40X = 4000K	HW = Haze / White	
	50X = 5000K	HZ = Haze	
		HZMPW = Haze / Matte Powder White	
		MPW = Matte Powder White	
		WW = White	

* 5000K LED modules in 800lm are while supplies last

[†] Comfort Dim available in 800lm only and ^{††} Iolite uses a different dimming curve than 2" & 4" Iolite

Compatible Housings

Housing Type
NHIOICD-48 = ICAT New Construction / 800-1000lm / 14W
NHIOICDCP-48 = Chicago Plenum / 800-1000lm / 14W
NHIOICD-415 = ICAT New Construction / 1500lm / 20W
NHIOICDCP-415 = Chicago Plenum / 1500lm / 20W
NHIOICD-420 = ICAT New Construction / 2000lm / 24W
NHIOICDCP-420 = Chicago Plenum / 2000lm / 24W

4" Iolite Trimless Mud Ring

Description
NIO-TLMR-4RA = 4" Round Trimless Mud Ring

Example: **NIO-4RTLA50XWW** / **NIO-TLMR-4RA** = 4" Iolite Round Trimless Adjustable Reflector, 5000K, White finish, 800lm / 4" Round Trimless Mud Ring

4" Iolite Accessories

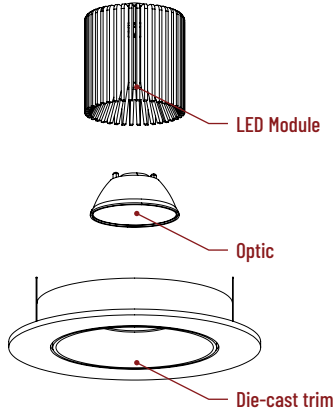
4" Iolite Round Trimless Adjustable

Type
Project
Catalog No.
Notes

FIELD CHANGEABLE OPTICS

Iolite luminaires include spot, narrow flood and flood optics. Optics can be changed in the field by removing LED module from die-cast trim. Replacement optics include an optional frosted lens.

Note: Frosted filter-optics and Premium TIR optics are not compatible with /HL LED modules.



Frosted Filter-Optic

NIO-REFL38FR 60° Optic
NIO-REFL60FR 73° Optic

Not compatible with /HL LED module.

Premium TIR Optics

NIO-REFLTIR15 22° Optic
NIO-REFLTIR25 26° Optic

Not compatible with /HL, Comfort Dim (CDX) LED modules or Hex Cell Louver.

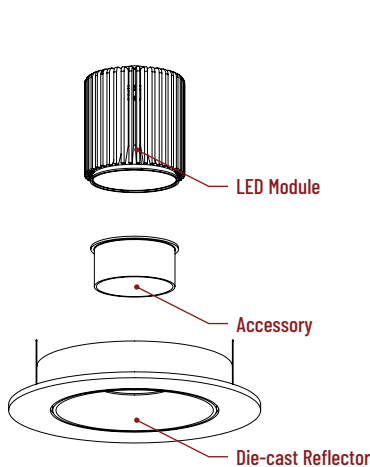
10° TIR Optic Assembly

Specialized narrow spot LED module assembly is also available. Requires LE4 housing. [Click Here](#) for more information.



ACCESSORIES

Iolite accessories can be added at any point in the design process. Accessories easily install between LED module and die-cast trim. Luminaire will accommodate (1) hex louver and (1) collar accessory, no accessory holder required.



Translucent Decorative Collar

NIO-AS14(color) 5/8" length
NIO-AS19(color) 3/4" length
NIO-AS26(color) 1" length

Color:
AM (amber), **BLU** (blue), **FR** (frosted), **R** (red)

Translucent collars color the aperture with the specified color while producing white general light. Collars are available in different lengths. Use to add interest, create a theme, match a theme or define a space.

Opaque Collar Snoot

NIO-AS14(color) 5/8" length
NIO-AS19(color) 3/4" length
NIO-AS26(color) 1" length

Color:
MPW (matte powder white), **WH** (white)

Opaque snoot greatly reduces aperture brightness while preserving light output.

Hex Cell Louver

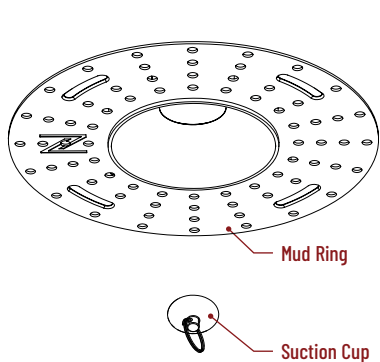
NIO-HC Black

Hex cell louver subtly reduces aperture brightness by reducing light output by about 20%.

Hex cell louver is not compatible with TIR optics.

TRIMLESS

4" Iolite trimless reflectors have no exposed trim flange and the result is a minimalist knife edge appearance. A trimless mount mud ring is installed after the drywall and a professional drywall finisher floats the ceiling to blend in the mud ring.



Trimless Mount Mud Ring

NIO-TLMR-4RA Round Mud Ring

Mounts trimless reflector with no exposed flange and no extension beyond ceiling plane. Mud ring attaches to drywall. **Only for use with NHIOICD-48, NHIOICDCP-48, NHIOICD-415, NHIOICDCP-415, NHIOICD-420 or NHIOICDCP-420 new construction housings and NIO-4RTL reflectors.** Dimensions: 7-7/8" diameter 1/2" thick

Suction Cup for Removal

NIO-TLSUCTION

Assist removing trimless reflector from finished ceiling after installation. For maintenance on trimless reflector.

PHOTOMETRICS

4" Iolite Round Trimless Adjustable

Type

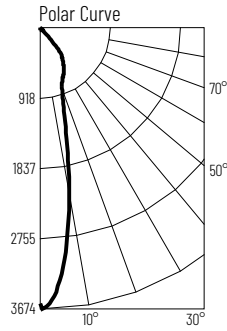
Project

Catalog No.

Notes

Test Information

Test Number: NTR1677R1
 Part Number: N10-4RTLA40XWW/10
 Beam Spread: 24° Flood
 Lumens: 1436lm
 Wattage: 14.04W
 Efficacy: 102lpw
 CCT / CRI: 4000K / 90 CRI
 Spacing Criteria (0°-180°): 0.4
 Spacing Criteria (90°-270°): 0.42



Illuminance at a Distance

Distance from Luminaire	FC at Nadir	Beam Diameter
2'	902fc	0'-10"
4'	225fc	1'-8"
6'	100fc	2'-6"
8'	56.4fc	3'-4"
10'	36.1fc	4'-1"

Zonal Lumen Summary

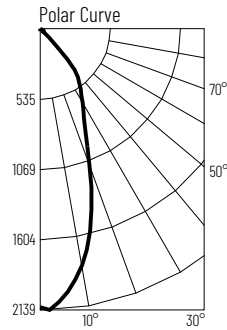
Zone	Lumens	% Luminaire
0-30	966	67.3
0-40	1287	89.6
0-60	1414	98.4
0-90	1431	99.6
90-180	5.5	0.4
0-180	1436	100

Candela Table

Vertical Angles	Candela
0	3607
5	3176
15	1251
25	700
35	508
45	93

Test Information

Test Number: NTR1678R1
 Part Number: N10-4RTLA40XWW/10
 Beam Spread: 41° Flood
 Lumens: 1448lm
 Wattage: 14.09W
 Efficacy: 103lpw
 CCT / CRI: 4000K / 90 CRI
 Spacing Criteria (0°-180°): 0.66
 Spacing Criteria (90°-270°): 0.68



Illuminance at a Distance

Distance from Luminaire	FC at Nadir	Beam Diameter
2'	530fc	1'-6"
4'	133fc	2'-11"
6'	58.9fc	4'-5"
8'	33.1fc	5'-11"
10'	21.2fc	7'-5"

Zonal Lumen Summary

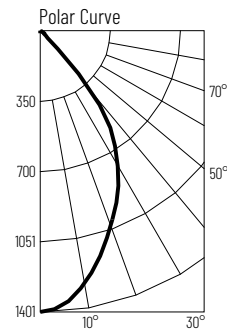
Zone	Lumens	% Luminaire
0-30	962	66.5
0-40	1284	88.7
0-60	1422	98.2
0-90	1443	99.6
90-180	5.17	0.4
0-180	1448	100

Candela Table

Vertical Angles	Candela
0	2120
5	2013
15	1474
25	748
35	514
45	102

Test Information

Test Number: NTR1679R1
 Part Number: N10-4RTLA40XWW/10
 Beam Spread: 65° Flood
 Lumens: 1433lm
 Wattage: 14.06W
 Efficacy: 102lpw
 CCT / CRI: 4000K / 90 CRI
 Spacing Criteria (0°-180°): 0.92
 Spacing Criteria (90°-270°): 0.92



Illuminance at a Distance

Distance from Luminaire	FC at Nadir	Beam Diameter
2'	350fc	2'-7"
4'	87.5fc	5'-1"
6'	38.9fc	7'-8"
8'	21.9fc	10'-2"
10'	14.0fc	12'-10"

Zonal Lumen Summary

Zone	Lumens	% Luminaire
0-30	869	60.7
0-40	1222	85.3
0-60	1406	94.7
0-90	1427	99.6
90-180	5.41	0.4
0-180	1433	100

Candela Table

Vertical Angles	Candela
0	1401
5	1366
15	1162
25	914
35	626
45	125