

NIO-2RTLND

2" Iolite Round Trimless Downlight

Source: 14W LED

800lm or 1000lm

Type

Project

Catalog No.

Notes

PRODUCT DESCRIPTION

2" Trimless Iolite downlights have no exposed trim flange and do not extend beyond the ceiling plane. Iolite Trimless requires a Trimless Mud Ring and New Construction housing. Deep regressed cone reflectors optimize visual cut-off.

FEATURES

- Trimless knife edge appearance
- 800lm or 1000lm LED packages
- Comfort Dim (warm dimming) also available in 800lm only
- 2700K, 3000K, 3500K, 4000K or 5000K @ 90+ CRI
- Flood optic, narrow flood and spot optics (included)
- 5-Year limited warranty

SPECIFICATION

Construction: Trims are constructed of heat dissipating, die-cast aluminum. The aluminum die-cast LED heat sink is threaded to fit trimless downlight and transfer heat.

Mounting: Luminaire includes friction blades to mount securely to trimless mud ring. A trimless mud ring is required per trimless downlight.

OPTICS

800-1000lm: Three field changeable optics (spot, narrow flood and flood) are included with each LED module. Premium 10° TIR narrow spot optic assembly also available ([Click Here](#) for more information). Optional frosted and TIR optics are also available.

ELECTRICAL

Lumens / Wattage: 800lm / 14W, 1000lm / 14W

Color Temperature: 2700K, 3000K, 3500K, 4000K, 5000K

Color Rendering Index: 90+CRI

Operating Temperature: Specified by housing

Lifetime: 50,000 hours @ L70

Comfort Dim: Comfort Dim color tunes the temperature from a bright 3100K, to a romantic and comfortable 2000K on a gradual, even curve. Available in 800lm only.

Dimming: Specified by housing

COMPATIBLE HOUSINGS

Luminaires are compatible with respective Iolite housings manufactured by Nora Lighting.

CATALOG NO.	DESCRIPTION	LUMENS / WATTAGE
NHIOICD-28	ICAT New Construction	800-1000lm / 14W
NHIOICDCP-28	Chicago Plenum	800-1000lm / 14W

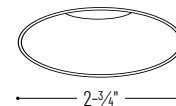
Accessories: Luminaires will accommodate (1) hex louver and (1) translucent deco collar or opaque snoot, no accessory holder is required, see accessories page. A trimless mud ring is required per trimless downlight.

LABELS AND LISTINGS

- cULus Listed for Wet Locations
- ENERGY STAR certified
- [5-Year Limited Warranty](#)
- RoHS Compliant
- Certified to the high efficacy requirements of California Title 24 JA8-2022



PRODUCT IMAGES AND DIMENSIONS



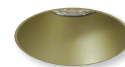
NIO-2RTLND
Non-Adjustable



BB
Black



BZ
Bronze



CH
Champagne Haze



HZ
Haze



MPW
Matte Powder White



WW
White

2" Iolite Round Trimless Downlight - New Construction Housing & Trimless Mud Ring Required

Type	Color Temp.	Finish	Lumens / Wattage
NIO-2RTLND = Round Trimless Downlight	50X = 5000K*	BB = Black	(blank) = 800lm / 14W
	CDX = Comfort Dim [†]	BZ = Bronze	
	27X = 2700K	CH = Champagne Haze	/10 = 1000lm / 14W
	30X = 3000K	HZ = Haze	
	35X = 3500K	MPW = Matte Powder White	
	40X = 4000K	WW = White	
	50X = 5000K		

* 5000K LED modules in 800lm are while supplies last

† Comfort Dim available in 800lm only and 1" Iolite uses a different dimming curve than 2" & 4" Iolite

Compatible Housings

Housing Type
NHIOICD-28 = ICAT New Construction / 800-1000lm / 14W
NHIOICDCP-28 = Chicago Plenum / 800-1000lm / 14W

2" Iolite Trimless Mud Ring

Description
NIO-TLMR-2RA = 2" Round Trimless Mud Ring

Example: **NIO-2RTLND50XWW / NIO-TLMR-2RA** = 2" Iolite Round Trimless Downlight, 5000K, White finish, 800lm / 2" Round Trimless Mud Ring

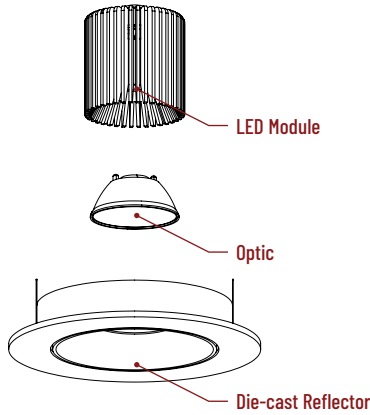
2" Iolite Accessories

2" Iolite Round Trimless Downlight

Type
Project
Catalog No.
Notes

FIELD CHANGEABLE OPTICS

Iolite luminaires include spot, narrow flood and flood optics. Optics can be changed in the field by removing LED module from die-cast trim. Replacement optics include an optional frosted lens.



Frosted Filter-Optic

NIO-REFL38FR 60° Optic
NIO-REFL60FR 73° Optic
Not compatible with /HL LED module.



Premium TIR Optics

NIO-REFLTIR15 22° Optic
NIO-REFLTIR25 26° Optic
Not compatible with /HL, Comfort Dim (CDX) LED modules or Hex Cell Louver.

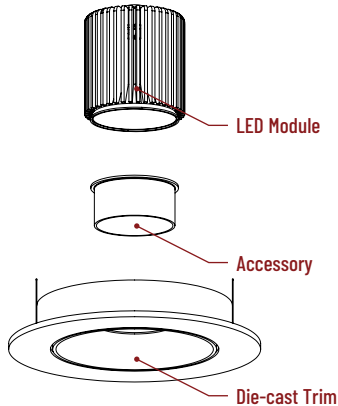


10° TIR Optic Assembly

Specialized narrow spot LED module assembly is also available. Requires LE4 housing. [Click Here](#) for more information.

ACCESSORIES

Iolite accessories can be added at any point in the design process. Accessories easily install between LED module and die-cast trim. Luminaire will accommodate (1) hex louver and (1) collar accessory, no accessory holder required.



Translucent Decorative Collar

NIO-AS14(color) 5/8" length
NIO-AS19(color) 3/4" length
NIO-AS26(color) 1" length
Color: AM (amber), BLU (blue), FR (frosted), R (red)
 Translucent collars color the aperture with the specified color while producing white general light. Collars are available in different lengths. Use to add interest, create a theme, match a theme or define a space.



Opaque Collar Snoot

NIO-AS14(color) 5/8" length
NIO-AS19(color) 3/4" length
NIO-AS26(color) 1" length
Color: MPW (matte powder white), WH (white)
 Opaque snoot greatly reduces aperture brightness while preserving light output.

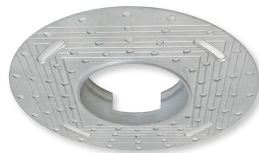
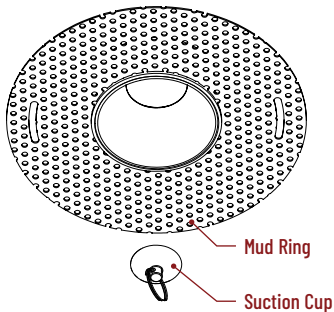


Hex Cell Louver

NIO-HC Black
 Hex cell louver subtly reduces aperture brightness by reducing light output by about 20%.
Hex cell louver is not compatible with TIR optics.

TRIMLESS

2" Iolite trimless downlights have no exposed trim flange and the result is a minimalist knife edge appearance. A trimless mount mud ring is installed after the drywall and a professional drywall finisher floats the ceiling to blend in the mud ring.



Trimless Mount Mud Ring

NIO-TLMR-2RA
 Mounts trimless downlight with no exposed flange and no extension beyond ceiling plane. Mud ring attaches to drywall. **Only for use with NH10ICD-28 or NH10ICDCP-28 new construction housings and NIO-2RTLND or NIO-2RTLA.**
 Dimensions: 7-1/8" diameter 1/2" thick



Suction Cup for Removal

NIO-TLSUCTION
 Assist removing trimless reflector from finished ceiling after installation. For maintenance on trimless reflector.