

NIO-ISNG

1" Iolite NTF Square Reflector with Round Aperture

Source: 9W or 10W LED
600lm

Type

Project

Catalog No.

Notes

PRODUCT DESCRIPTION

1" Iolite NTF reflectors can be specified for use with Iolite new construction housings. Straight reflector with sharp edge optimizes visual cut-off.

FEATURES

- 600lm / 9W or 10W
- 2700K, 3000K, 3500K, 4000K, 5000K @ 90+ CRI
- Comfort Dim Technology
- 60° (Flood) optic installed, 40° (Narrow flood) and 20° (Spot) optics included
- 5-Year limited warranty

SPECIFICATION

Construction: Reflectors are constructed of heat dissipating, die-cast aluminum. The aluminum die-cast LED heat sink is threaded to fit the reflector and transfer heat.

Mounting: Reflector includes friction blades to mount securely to housing.

Field Changeable Optics: Each reflector comes with a 60° (installed), 40° and 20° optics (included).

ELECTRICAL

Lumens / Wattage: 600lm / wattage varies by housing (9W / LE3 or 10W / LE4)

Color Temperature: 2700K, 3000K, 3500K, 4000K, 5000K

Color Rendering Index: 90+CRI

Operating Temperature: 0°C to 40°C

Lifetime: 50,000 hours @ L70

Comfort Dim: Comfort Dim color tunes the temperature from a bright 3000K, to a romantic and comfortable 1900K on a gradual, even curve.

Dimming: Specified by housing

COMPATIBLE HOUSINGS

Reflectors are compatible with respective Iolite housings manufactured by Nora Lighting.

CATALOG NO.	DESCRIPTION	LUMENS / WATTAGE
NHIOICD-16LE3	ICAT New Construction, 120V; Triac/ELV	600lm / 9W
NHIOICD-16LE4	ICAT New Construction, 120-277V; Triac/ELV/0-10V	600lm / 10W
NHIOICDCP-16LE3	Chicago Plenum, 120V; Triac/ELV	600lm / 9W
NHIOICDCP-16LE4	Chicago Plenum, 120-277V; Triac/ELV/0-10V	600lm / 10W

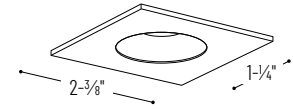
Accessories: Reflectors will accommodate (1) hex louver and (1) translucent deco collar or opaque snoot, no accessory holder is required, see accessories page.

LABELS AND LISTINGS

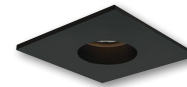
- cULus Listed for Wet Locations
- ENERGY STAR certified
- [5-Year Limited Warranty](#)
- RoHS Compliant
- Certified to the high efficacy requirements of California Title 24 JA8-2022



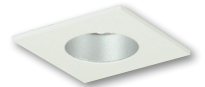
PRODUCT IMAGES & DIMENSIONS



NIO-ISNG
Square Reflector with Round Aperture
Non-Adjustable



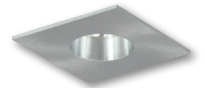
BZ
Bronze Reflector
Bronze Flange



HW
Haze Reflector
White Flange



MPW
Matte Powder White Reflector
Matte Powder White Flange



NN
Natural Metal Reflector
Natural Metal Flange



WW
White Reflector
White Flange

1" Iolite NTF Square Reflector with Round Aperture - Dedicated New Construction Required

Reflector Type	Color Temp.	Finish
NIO-ISNG = Square Reflector with Round Aperture	27X = 2700K	BZ = Bronze / Bronze
	30X = 3000K	HW = Haze / White
	35X = 3500K	MPW = Matte Powder White
	40X = 4000K	NN = Natural Metal / Natural Metal
	50X = 5000K	WW = White / White
	CDX = Comfort Dim (3000K-1900K) [†]	

[†] 1" Comfort Dim uses a different dimming curve than 2" & 4" Comfort Dim

Compatible Housings

Housing Type
NHIOICD-16LE3 = ICAT New Construction / Triac/ELV / 600lm / 9W
NHIOICD-16LE4 = ICAT New Const. / Triac/ELV/0-10V / 600lm / 10W
NHIOICDCP-16LE3 = Chicago Plenum / Triac/ELV / 600lm / 9W
NHIOICDCP-16LE4 = Chicago Plenum / Triac/ELV/0-10V / 600lm / 10W

Example: **NIO-ISNG27XWW** = 1" Iolite NTF Square Reflector with Round Aperture, 2700K, White finish, 600lm

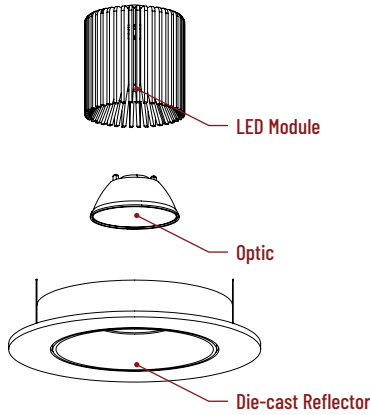
1" Iolite Accessories

1" Iolite NTF Square Reflector with Round Aperture

Type	
Project	
Catalog No.	
Notes	

FIELD CHANGEABLE OPTICS

Iolite reflectors include 20°, 40° and 60° optics. Optics can be changed in the field by removing LED module from die-cast reflector. Replacement optics include an optional frosted lens.

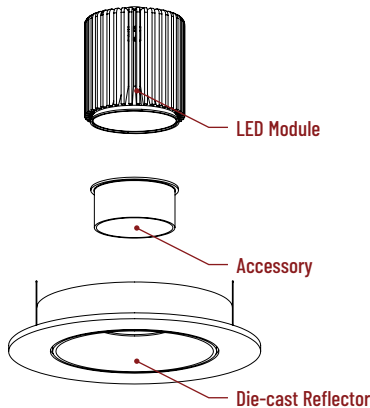


Frosted Filter-Optic

NIO-IREFL20FR	20° Optic
NIO-IREFL40FR	40° Optic
NIO-IREFL60FR	60° Optic

ACCESSORIES

Iolite accessories can be added at any point in the design process. Accessories easily install between LED module and die-cast reflector. Luminaire will accommodate (1) hex louver and (1) collar accessory, no accessory holder required.



Translucent Decorative Collar

NIO-1AS15(color)	5/8" length
NIO-1AS19(color)	3/4" length
NIO-1AS24(color)	1" length
Color:	
AM (amber), BLU (blue), FR (frosted), R (red)	

Translucent collars color the aperture with the specified color while producing white general light. Collars are available in different lengths. Use to add interest, create a theme, match a theme or define a space.



Opaque Collar Snoot

NIO-1AS15(color)	5/8" length
NIO-1AS19(color)	3/4" length
NIO-1AS24(color)	1" length
Color:	
MPW (matte powder white), WH (white)	

Opaque snoot greatly reduces aperture brightness while preserving light output.



Hex Cell Louver

NIO-1HC	Black
Hex cell louver subtly reduces aperture brightness by reducing light output by about 20%.	

PHOTOMETRICS

1" Iolite NTF Square Reflector with Round Aperture
600 lumens

Type

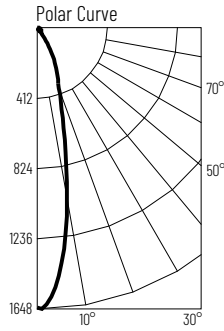
Project

Catalog No.

Notes

Test Information

Test Number: NTR11212
Part Number: NIO-ISNG27MPW
Beam Spread: 24° Spot
Lumens: 556lm
Wattage: 9.33W
Efficacy: 60lpw
CCT / CRI: 2700K / 90 CRI
Spacing Criteria (0°-180): 0.42
Spacing Criteria (90°-270): 0.42



Illuminance at a Distance

Distance from Luminaire	FC at Nadir	Beam Diameter
4'	102fc	1'-8"
6'	45.6fc	2'-7"
8'	25.8fc	3'-6"
10'	16.4fc	4'-5"
12'	11.4fc	5'-2"

Zonal Lumen Summary

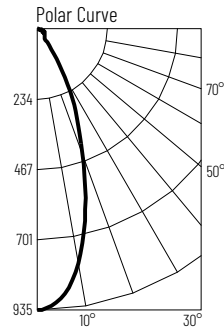
Zone	Lumens	% Luminaire
0-30	417	75
0-40	468	84.2
0-60	518	93.2
0-90	555	99.8
90-180	1	0.2
0-180	556	100

Candela Table

Vertical Angles	Candela
0	1640
5	1439
15	621
25	260
35	76
45	35

Test Information

Test Number: NTR11227
Part Number: NIO-ISNG27MPW
Beam Spread: 38° Narrow Flood
Lumens: 551lm
Wattage: 9.4W
Efficacy: 59lpw
CCT / CRI: 2700K / 90 CRI
Spacing Criteria (0°-180): 0.64
Spacing Criteria (90°-270): 0.64



Illuminance at a Distance

Distance from Luminaire	FC at Nadir	Beam Diameter
4'	58.4fc	2'-10"
6'	26fc	4'-2"
8'	14.6fc	5'-7"
10'	9.4fc	7'
12'	6.5fc	8'-6"

Zonal Lumen Summary

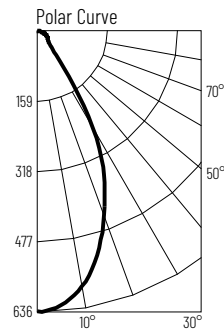
Zone	Lumens	% Luminaire
0-30	392	71.2
0-40	449	81.4
0-60	506	91.7
0-90	550	99.8
90-180	1	0.2
0-180	551	100

Candela Table

Vertical Angles	Candela
0	934
5	898
15	627
25	306
35	83
45	36

Test Information

Test Number: NTR11243
Part Number: NIO-ISNG27MPW
Beam Spread: 54° Flood
Lumens: 545lm
Wattage: 9.33W
Efficacy: 58lpw
CCT / CRI: 2700K / 90 CRI
Spacing Criteria (0°-180): 0.84
Spacing Criteria (90°-270): 0.84



Illuminance at a Distance

Distance from Luminaire	FC at Nadir	Beam Diameter
4'	39.6fc	4'-1"
6'	17.6fc	6'-1"
8'	9.9fc	8'-2"
10'	6.3fc	10'-2"
12'	4.4fc	12'-2"

Zonal Lumen Summary

Zone	Lumens	% Luminaire
0-30	364	66.8
0-40	446	81.8
0-60	503	92.2
0-90	544	99.
90-180	1	0.2
0-180	545	100

Candela Table

Vertical Angles	Candela
0	635
5	621
15	525
25	354
35	124
45	38

Lumen Output Multipliers

Color Temperature: 2700K (1.00), 3000K (1.11), 3500K (1.12), 4000K (1.11), 5000K (1.14)