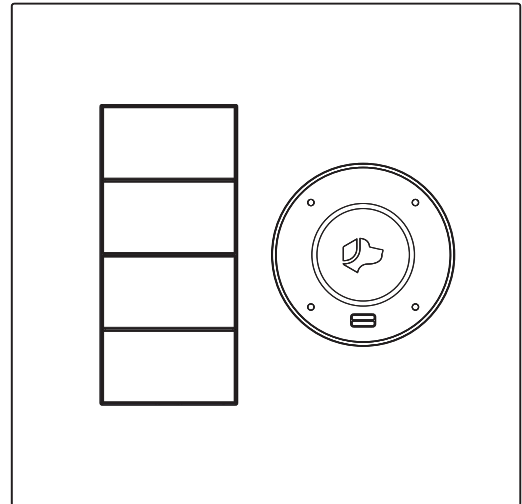


Josh.ai Ready Wallplates

The Josh.ai ready wallplates elegantly combine Lutron keypads with the Josh Nano. With Josh.ai ready wallplates, Lutron keypads and Josh Nano in-room microphones can now be ganged together in the same wallbox. This provides clients with the convenience of keypad control and the flexibility of voice control, all in one enclosure.

Wallplates can be configured with the opening for the Lutron keypad on the left or right side of the wallplate and are available in Claro designer and Palladiom architectural styles. Please see page 9 for a complete list of available colors and finishes. For more information on the Josh Nano, please visit www.josh.ai/nano



Specifications

Model Numbers	See How to Build a Model Number on pages 4-6 for more details
Regulatory Approvals	Lutron Quality Systems registered to ISO 9001:2015 Complies with UL 1863
Environment	<i>Ambient operating temperature: 32 °F to 104 °F (0 °C to 40 °C), 0% to 90% non-condensing relative humidity. Indoor use only.</i>
Mounting	<i>Typical U.S. style wallbox dimensions: 3.7 in (95 mm) H × 1.8 in (46 mm) W × 2.8 in (70 mm) D.</i> See Mounting on pages 7-8 for more details.
Wiring	Works with SELV/PELV/NEC® Class 2 devices only
Warranty	www.lutron.com/TechnicalDocumentLibrary/warranty.pdf

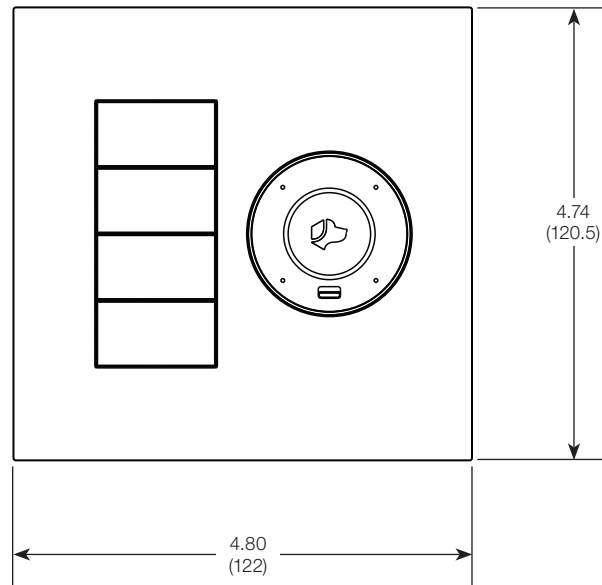
Josh.ai Ready Wallplates

Dimensions

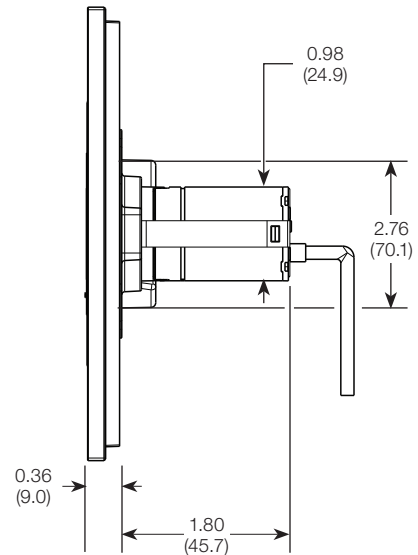
Measurements shown as: in (mm)

Palladiom Architectural Metal*

Front View

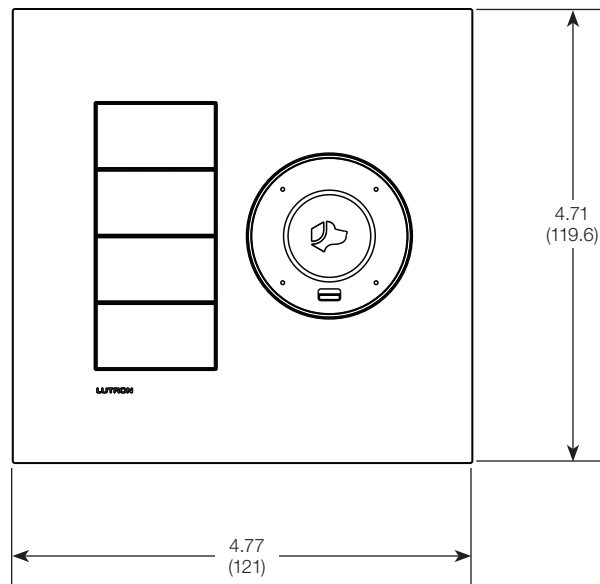


Side View

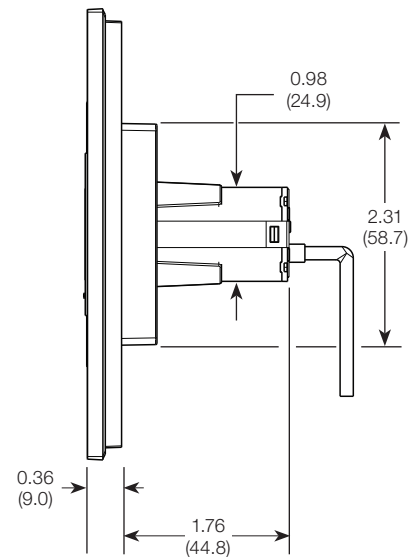


Palladiom Architectural Matte 2-Gang*

Front View



Side View



* Keypad control and Josh.ai Nano sold separately

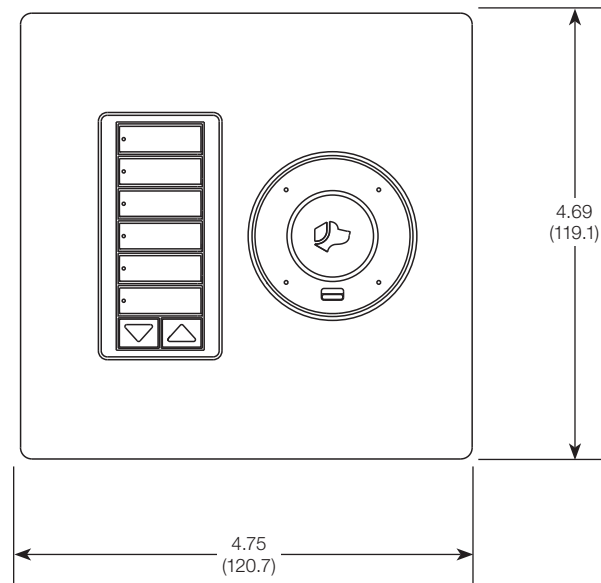
Josh.ai Ready Wallplates

Dimensions *(continued)*

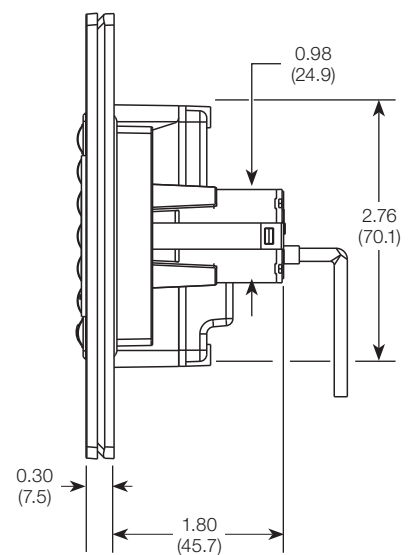
Measurements shown as: in (mm)

Claro 2-Gang*

Front View



Side View

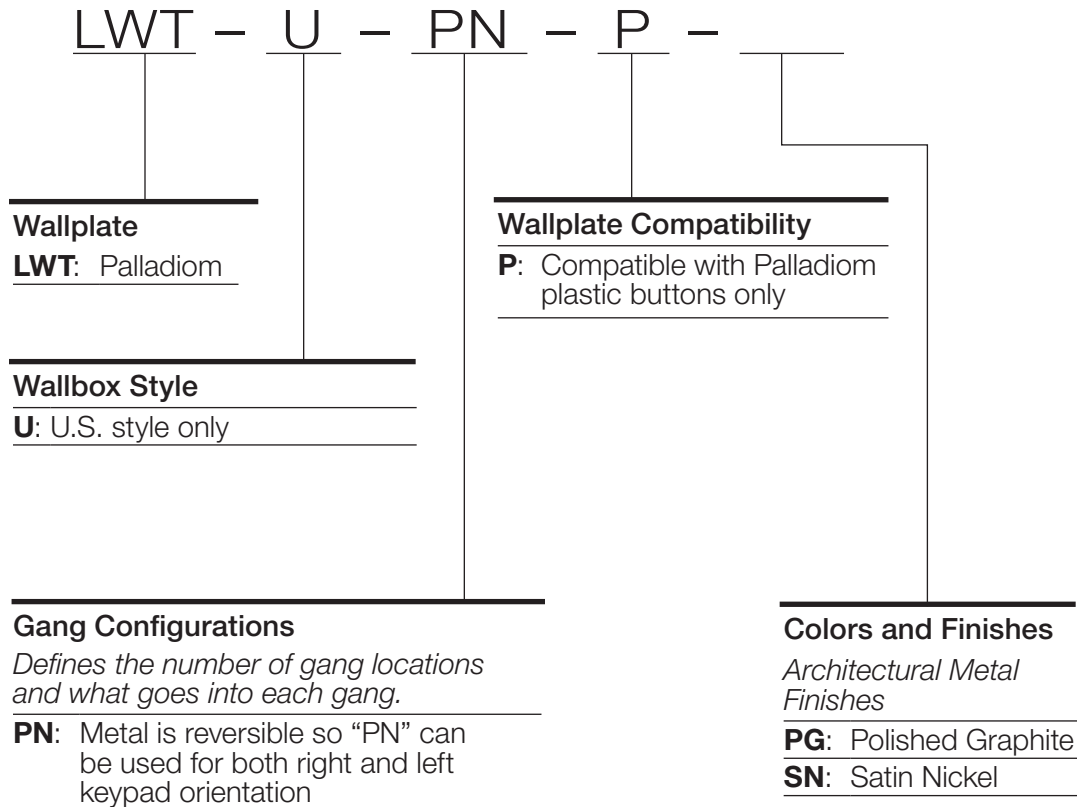


* Keypad control and Josh.ai Nano sold separately

Josh.ai Ready Wallplates

How to Build a Model Number

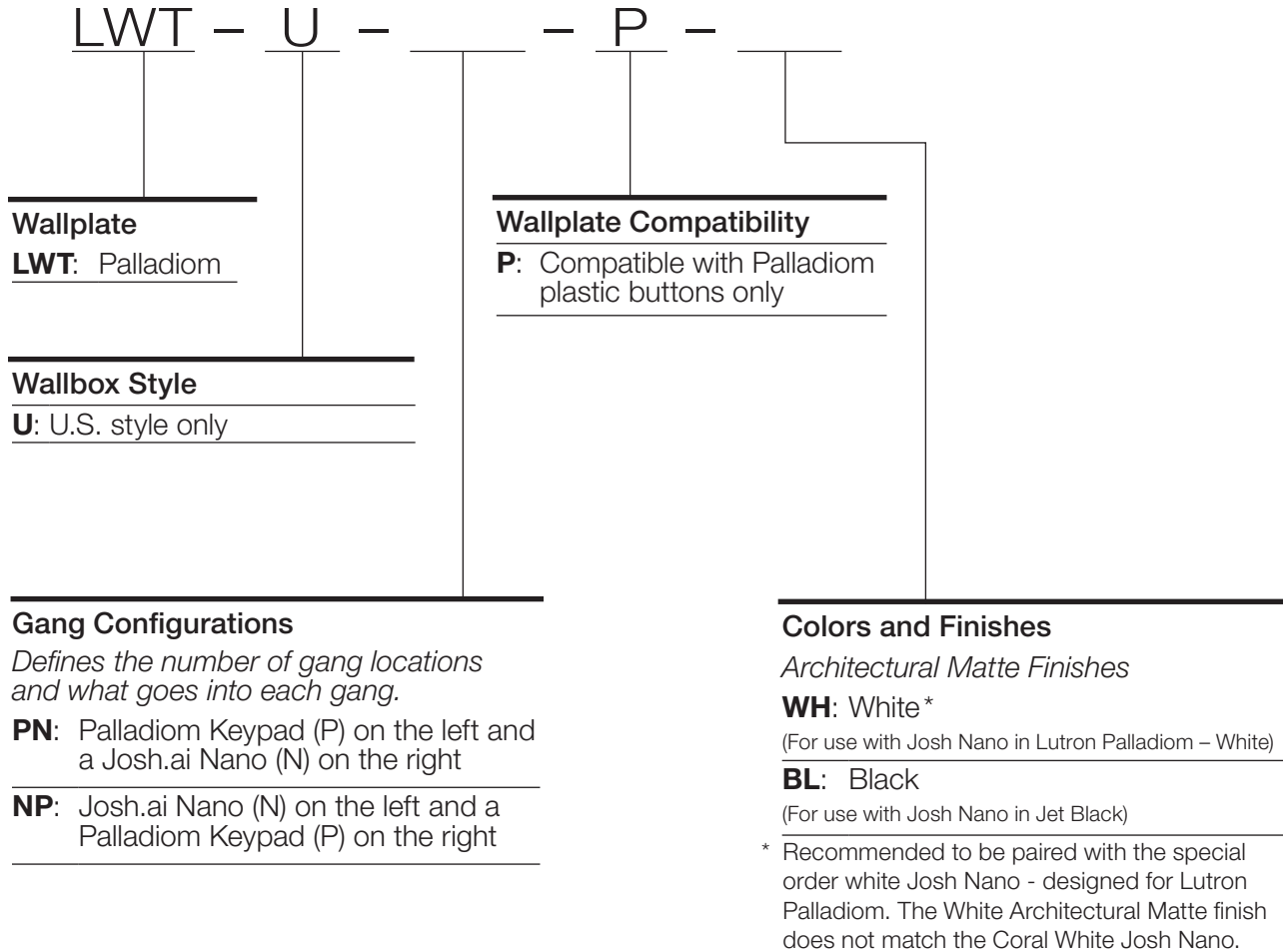
Palladiom Architectural Metal Wallplates



Josh.ai Ready Wallplates

How to Build a Model Number *(continued)*

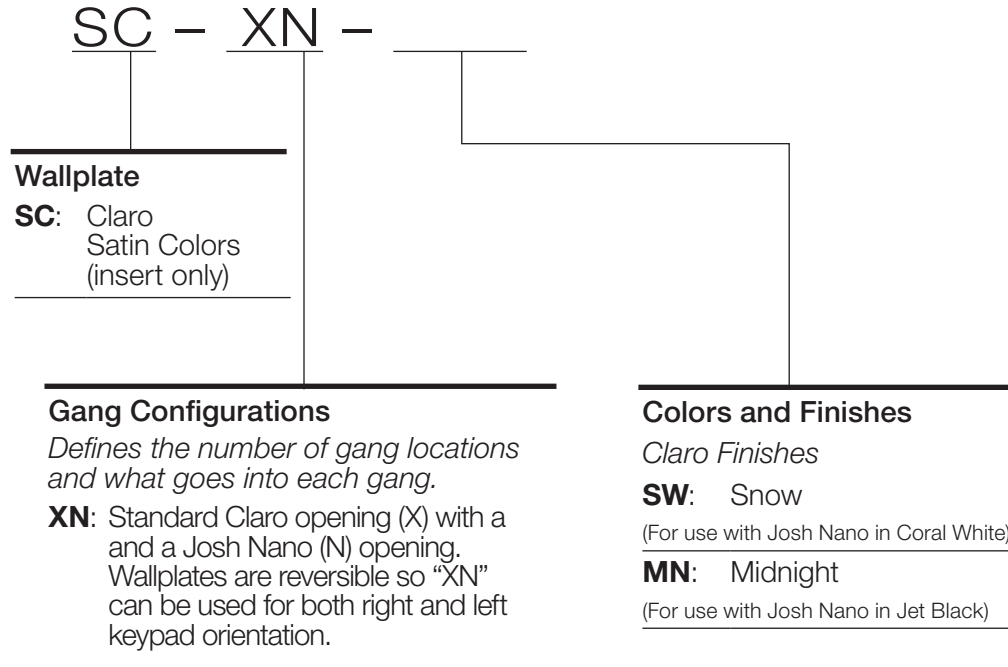
Palladiom Architectural Matte Wallplates



Josh.ai Ready Wallplates

How to Build a Model Number *(continued)*

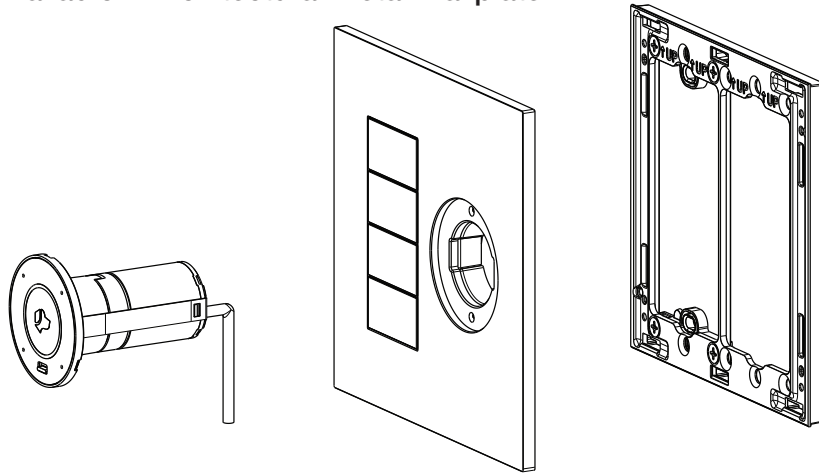
Claro Wallplates (compatible with low-voltage devices only)



Josh.ai Ready Wallplates

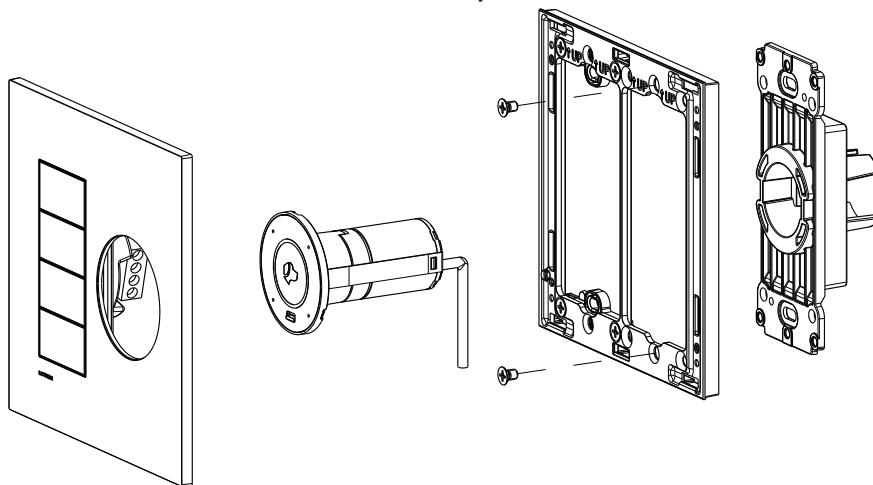
Mounting

Palladiom Architectural Metal Wallplate



Josh.ai Ready Wallplate	Compatible Low-Voltage Keypad SELV/PELV/NEC® Class 2	Model Number
Palladiom Architectural Metal	HomeWorks QS Wired Palladiom Bespoke	HQWT-B-P2W-BK-E
		HQWT-B-P3W-BK-E
		HQWT-B-P4W-BK-E
		HQWT-B-PRW-BK-E

Palladiom Architectural Matte Wallplate

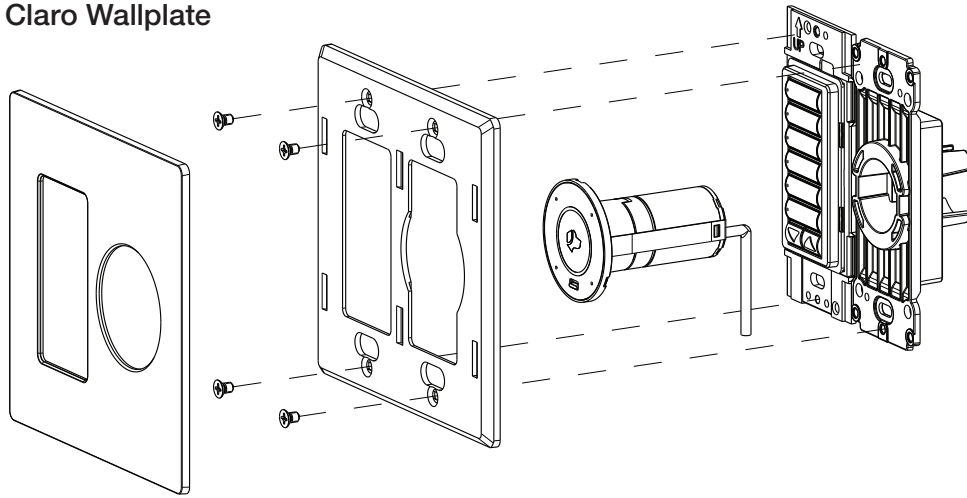


Josh.ai Ready Wallplate	Compatible Low-Voltage Keypad SELV/PELV/NEC® Class 2	Model Number
Palladiom Architectural Matte	HomeWorks QS Wired Palladiom	HQWT-B-P2W-
		HQWT-B-P3W-
		HQWT-B-P4W-
		HQWT-B-PRW-

Josh.ai Ready Wallplates

Mounting

Claro Wallplate



Josh.ai Ready Wallplate	Compatible Low-Voltage Keypad SELV/PELV/NEC® Class 2	Model Number
Claro	HomeWorks QS Wired seeTouch Designer	HQWD-
	Pico	PJ2-

Josh.ai Ready Wallplates

Colors and Finishes

Architectural Metal Finishes

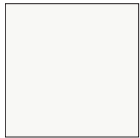


Satin Nickel
SN



Polished Graphite
PG

Architectural Matte Finishes



White
WH



Black
BL

Claro Finishes



Snow
SW



Midnight
MN

Lutron, Claro, HomeWorks, Palladium, Pico, Satin Colors, and seeTouch are trademarks or registered trademarks of Lutron Electronics Co., Inc. in the US and/or other countries.

All other product names, logos, and brands are property of their respective owners.