

RadioRA 3 RF Sunnata Local Controls

RadioRA 3 Sunnata local controls function much like standard dimmers and switches, but can be controlled as part of a lighting control system. Local lighting controls are useful in locations where single circuits of lighting need to be dimmed or switched.

RadioRA 3 Sunnata dimmers and companion dimmers incorporate advanced features such as fade-on/fade-off, delayed long fade-to-off, and rapid full-on.

RadioRA 3 Sunnata local controls include a locator light to assist in locating the controls at night. RadioRA 3 Sunnata local controls install in single pole or multi-location applications. Sunnata companion dimmers and companion switches must be used for multi-location control. RadioRA 3 Sunnata local controls include a Front Accessible Service Switch (FASS) for safe light bulb replacement.

Use Lutron Designer (Claro gloss or satin finish) wallplates or designer-style wallplates from other manufacturers. Wallplates are sold separately. Lutron Claro wallplates snap on with no visible means of attachment. Available colors are in the Colors and Finishes section on page 14 at the end of this document.



Dimmer



Switch



Companion Dimmer



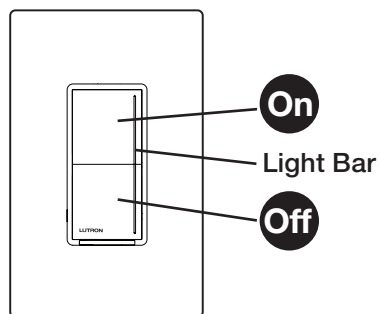
Companion Switch

RadioRA 3 RF Sunnata Local Controls

Design Features

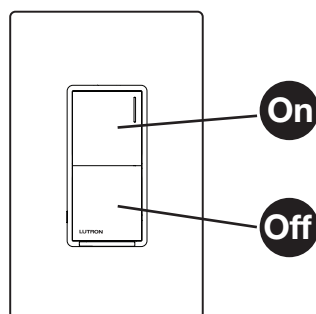
Dimmer and Companion Dimmer

- Pressing the top of the button, lights fade ON.
- Pressing the bottom of the button, lights fade OFF.
- Anytime - Double tap the top of the button, lights fade rapidly to full brightness.
- Pressing and holding the bottom of the button for more than 1 second - Delayed long fade to OFF (30 second delay).
- Light levels can be fine-tuned by touching your finger to the light bar and sliding your finger up or down until the desired light level is reached.
- Neutral is required. (Dimmer only)



Switch and Companion Switch

- Pressing the top of the button, lights or motors turn ON.
- Pressing the bottom of the button, lights or motors turn OFF.
- Neutral is required. (Switch only)
- Pressing and holding the bottom of the button for more than 1 second - Delayed Off (30 second delay)



RadioRA 3 RF Sunnata Local Controls

Model Numbers

Dimmers

LED/CFL/Incandescent/Halogen/MLV/ELV/Mark 10 Ballasts/Hi-lume 1% 2-wire Drivers (120 V~)

RRST-PRO-N-XX 250 W (LED/CFL)* or 500 W Incandescent/Halogen/ELV or 400 VA MLV
Phase Selectable Neutral Dimmer

* Go to www.lutron.com/ledtool to see all compatible LED/CFL lamps.

Switches

Lighting and Motor Loads (120 V~)

RRST-8ANS-XX 8 A Light, 1/4 HP 5.8 A Motor
Neutral Wire Electronic Switch

Companions (for multi-location installations)

RRST-RD-XX Companion Dimmer (120 V~)

RRST-RS-XX Companion Switch (120 V~)

Note: "XX" in the model number represents color/finish code. See **Colors and Finishes** at end of document.

RadioRA 3 RF Sunnata Local Controls

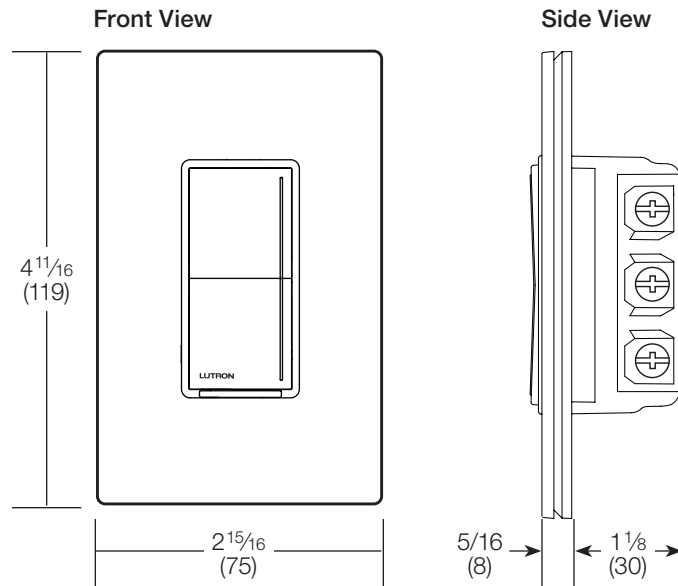
Specifications

Model Numbers	Dimmer: RRST-PRO-N Companion Dimmer: RRST-RD Switch: RRST-8ANS Companion Switch: RRST-RS
Power	120 V~ 50/60 Hz: -PRO-N, -8ANS, -RD, -RS
Typical Power Consumption	Dimmer / Switch: 0.5 W Test conditions: Load is off and locator light is enabled. Companion Dimmer / Switch: 0.2 W Test conditions: Load is off.
Regulatory Approvals	cULus, NOM, FCC, IC, IFT (-PRO-N and -8ANS) cULus, NOM, FCC, IC (-RD and -RS)
Environment	Ambient operating temperature: 32 °F to 104 °F (0 °C to 40 °C), 0% to 90% humidity, non-condensing. Indoor use only.
Communications	Dimmers and switches communicate with the system through Clear Connect-Type X Radio Frequency (RF) and must be located within 75 ft (22.8 m) of a centrally located RadioRA 3 wireless processor/gateway. Each Sunnata dimmer should have at least two other non-battery powered Clear Connect-Type X devices within 25 ft (7.6 m). Clear Connect-Type X devices include, for example, the RadioRA 3 wireless processor/gateway, Sunnata dimmers, Sunnata switches, and Sunnata keypads. Companion dimmers / switches are not Clear Connect-Type X devices, and are not required to be within a specific range of a RadioRA 3 wireless processor/gateway. System devices operate on a frequency of 2.4 GHz.
ESD Protection	Tested to withstand electrostatic discharge without damage or memory loss, in accordance with IEC 61000-4-2.
Surge Protection	Tested to withstand surge voltages without damage or loss of operation, in accordance with IEEE C62.41-1991 Recommended Practice on Surge Voltages in Low-Voltage AC Power Circuits.
RTISS Equipped	Circuitry compensates in real time for incoming line-voltage variations (-PRO-N only).
Power Failure	Power failure memory: Should power be interrupted, the control will return to its previous state when power is restored.
Mounting	Requires a U.S. wallbox. 3½ in (89 mm) deep recommended, 2¼ in (57 mm) deep minimum. For best wireless performance, use a metal wallbox when installing the product in a concrete or stone wall.
Wiring	Use only companion dimmers (-RD) and companion switches (-RS) with dimmers/switches. Up to four companion dimmers (-RD) may be connected to the dimmer and four companion switches (-RS) may be connected to the switch. Total wire length may be up to 150 ft (45 m).
Warranty	www.lutron.com/TechnicalDocumentLibrary/Warranty.pdf

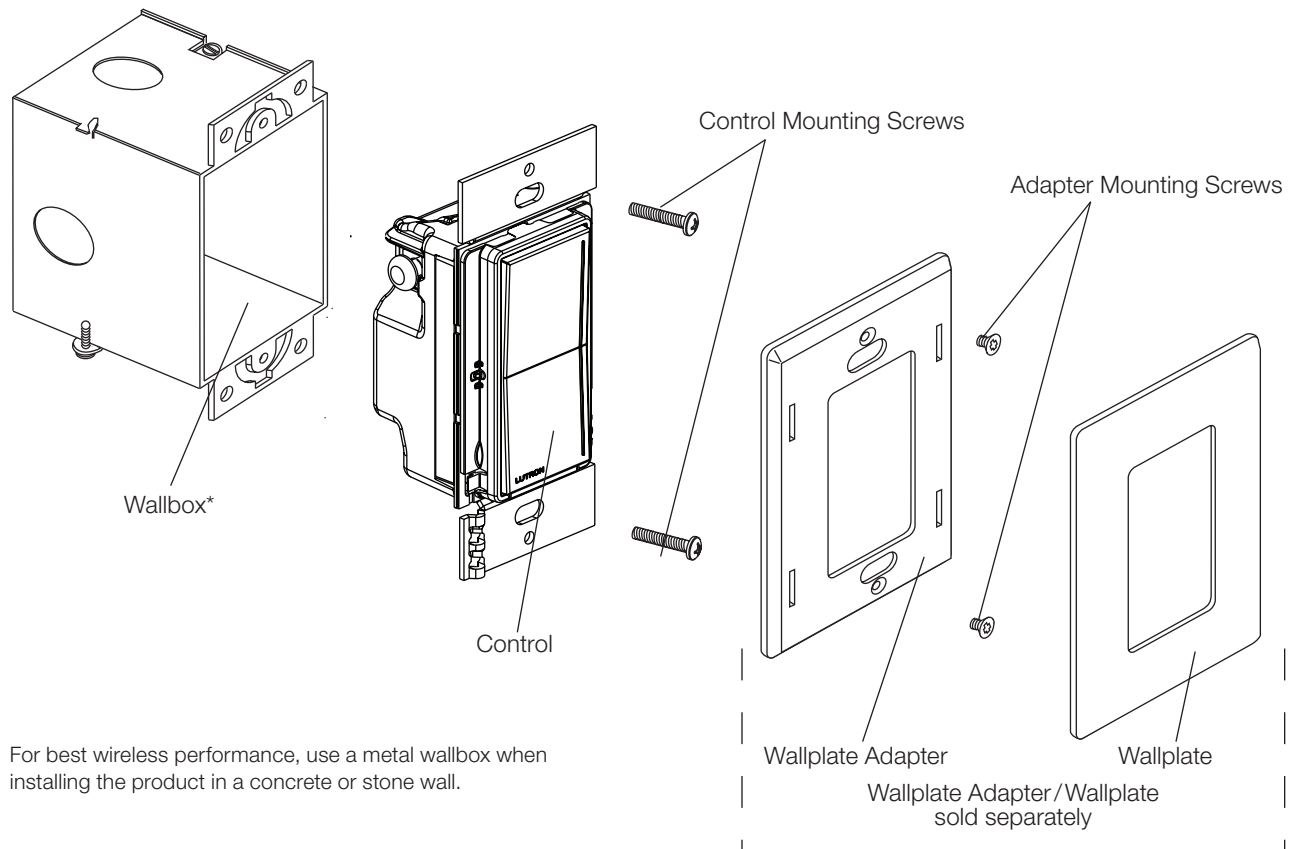
RadioRA 3 RF Sunnata Local Controls

Dimensions

All dimensions are shown as: in (mm)




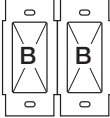
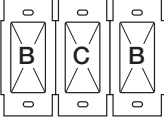
Mounting and Parts Identification



* For best wireless performance, use a metal wallbox when installing the product in a concrete or stone wall.

RadioRA 3 RF Sunnata Local Controls

Load Type and Capacity

						
Load Type	Minimum Load	A Not Ganged	B End of Gang	C Middle of Gang	Neutral Connection	Required Phase Mode ⁴
RRST-PRO-N²						
LED	1 bulb	250 W	200 W	150 W	Required ¹	Either
MLV Transformer with LEDs	See Application Note #559 (P/N 048559) at www.lutron.com					Forward
ELV Transformer with LEDs	No Derating Required					Reverse
MLV Transformer with Halogen	10 W	400 VA (300 W)	No Derating Required			Forward
ELV Transformer with Halogen	10 W	500 W	400 W	300 W		Reverse
Incandescent/Halogen	10 W	500 W	400 W	300 W		Either
Dimmable Fluorescent Ballast	1 ballast	3.3 A (400 VA)	No Derating Required			Forward
Hi-lume 1% 2-wire (LTE) LED Driver	1 driver	3.3 A (400 W) 20 drivers max.	No Derating Required			Forward
PHPM-PA/3F and GRX-TVI ³	1 interface	3 interfaces	No Derating Required			Forward
CFL	1 bulb	250 W	200 W	150 W		Forward

¹ Neutral is required for all load types.

² Do not install dimmers to control receptacles or motor-operated appliances.


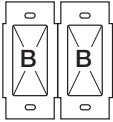
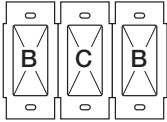
³ Power Boosters/Load Interfaces: -RRST-PRO-N can be used to control power boosters/load interfaces. For a list of compatible power boosters/load interfaces see **Compatible Power Boosters and Load Interfaces**, page 9.

⁴ Phase Mode default setting is Reverse-Phase.

Note: For dimming MLV fixtures, the maximum lamp wattage is typically 70%-85% of the transformer's VA rating. For actual transformer efficiency, contact the manufacturer. The total VA rating of the transformer(s) shall not exceed the VA rating of the dimmer.

RadioRA 3 RF Sunnata Local Controls

Load Type and Capacity (continued)

					
Load Type	Minimum Load	A Not Ganged	B End of Gang	C Middle of Gang	Neutral Connection
RRST-8ANS^{1,2}					
LED Lighting	1 bulb	8 A	6 A	4.5 A	Required
Other Lighting Sources	10 W/VA	8 A	6 A	4.5 A	
Motor	0.08 A	1/4 HP 5.8 A	1/4 HP 5.8 A	1/6 HP 4.4 A	

Note: Do not install switches to control receptacles or motor-operated appliances.

¹ Power Boosters/Load Interfaces: -8ANS can be used to control power boosters/load interfaces. For a list of compatible power boosters/load interfaces see **Compatible Power Boosters and Load Interfaces**, page 9.

² Switch Load Type:

-8ANS: Designed for use with permanently installed 120 V~ incandescent, MLV, ELV, tungsten halogen, fluorescent, LED, CFL, or motor loads.

RadioRA 3 RF Sunnata Local Controls

Mixing Lamp Types

Mixing lamp types (using a combination of LED/CFL, Incandescent/Halogen bulbs) and ganging with other dimmers or electronic switches may reduce maximum wattage as shown in the chart below.

Example: If you have two dimmers ganged together and you have two 13 W LED bulbs installed (total LED Wattage = 26 W) on one dimmer, you may add up to 300 W of incandescent or halogen lighting to that one dimmer. Repeat the exercise for the other dimmer with which it is ganged.

Total LED/CFL Wattage	Total Incandescent/Halogen Wattage					Neutral Connection	
	A Not Ganged	B End of Gang	C Middle of Gang				
RRST-PRO-N¹							
0 W	+	10 W–500 W	Or	10 W–400 W	Or	10 W–300 W	Required
1 W–50 W	+	0 W–400 W	Or	0 W–300 W	Or	0 W–200 W	
51 W–100 W	+	0 W–300 W	Or	0 W–200 W	Or	0 W–100 W	
101 W–150 W	+	0 W–200 W	Or	0 W–100 W	Or	0 W	
151 W–200 W	+	0 W–100 W	Or	0 W	Or	0 W	
201 W–250 W	+	0 W	Or	0 W	Or	0 W	

¹ Do not install dimmers to control receptacles or motor-operated appliances.

RadioRA 3 RF Sunnata Local Controls

Compatible Power Boosters and Load Interfaces

Some local controls can be used to control power boosters or load interfaces. Up to three power boosters or load interfaces can be used with one control. See table below for a list of controls and compatible power boosters and load interfaces.

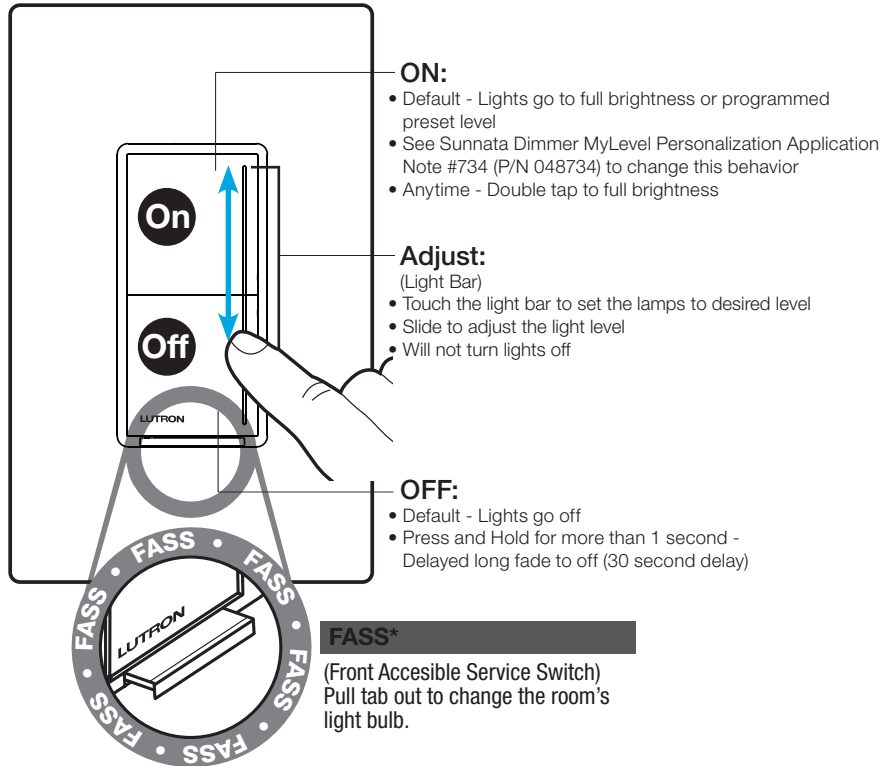
Control	Phase Adaptive Power Modules: PHPM-PA-120-WH; PHPM-PA-DV-WH	3-wire Fluorescent Power Modules: PHPM-3F-120-WH; PHPM-3F-DV-WH	Switched Power Module: PHPM-SW-DV-WH	0–10 V _{DC} Interface and Switching Module: GRX-TVI
RRST-8ANS			✓	
RRST-PRO-N	✓	✓		✓

* All power modules are 120 V_{AC} only.

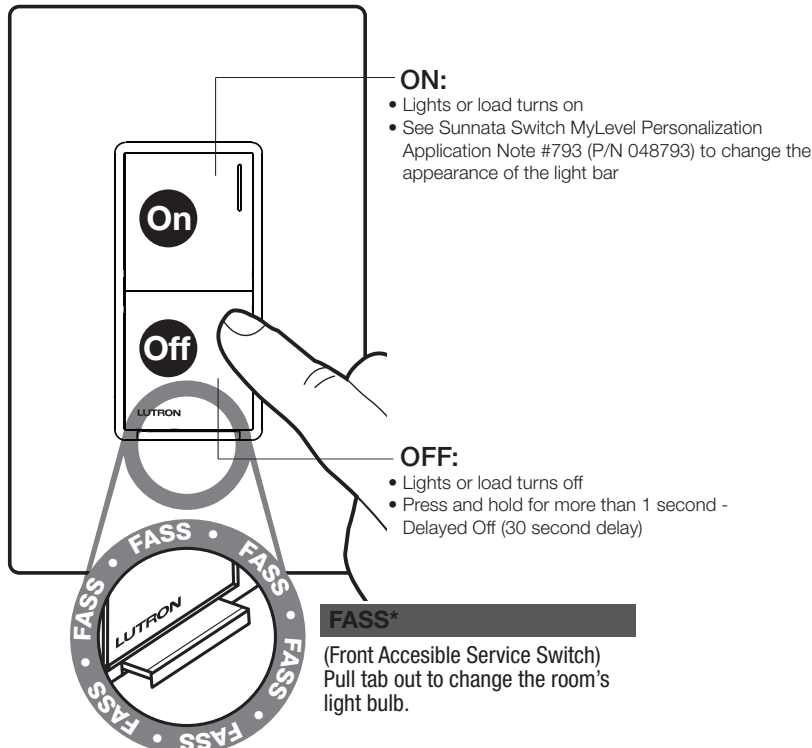
RadioRA 3 RF Sunnata Local Controls

Operation

Dimmer



Switch



* FASS switch is **ONLY** for changing light bulbs in permanently wired fixtures. Changing wiring or installing dimmers/switches/companion devices requires turning off the breaker at the breaker panel.

RadioRA 3 RF Sunnata Local Controls

MyLevel Personalization Advanced Features

Sunnata RF dimmers and switches contain Advanced Features that allow users to customize the control to meet their specific needs. For a detailed description of the features and uses, please refer to the Sunnata Dimmer MyLevel Personalization Application Note #734 (P/N 048734) or Sunnata Switch MyLevel Personalization Application Note #793 (P/N 048793) at www.lutron.com. Before entering MyLevel, it is important to have a good understanding of the features. Please note that these local AFM features described below will be disabled when the device(s) are commissioned into a system. All AFM settings will then be based on the system programming. See **Additional MyLevel Features Available in System Programming** below.

Dimmer

Available MyLevel Personalization Advanced Features	
Feature	Description
High-end trim	Select the maximum available light limit.
Low-end trim	Select the minimum available light limit.
Preset light level	Change the behavior of the device when the ON button is pressed from the OFF state to ON.
Light bar brightness	Select between high, medium, and low brightness of the control's light bar.
Light level indicator/ locator light	Select between ON and OFF for the light bar when not interacting with the control.
Phase select	Select the Phase mode in which the dimmer operates. Forward or Reverse (Default).
Restore factory default settings	Select to return dimmer to its original factory settings.

Additional MyLevel Features Available in System Programming	
Feature	Description
Fade On/Off rate	The rate at which the load turns ON and OFF from its previous state.
Delayed Long Fade To Off	Allows for control to delay the load from starting the dimming sequence. This setting delays the time between when the OFF button is pressed and the load begins the Fade to Off process.

Switch

Available MyLevel Personalization Advanced Features	
Feature	Description
Light bar brightness	Select between high, medium, and low brightness of the control's light bar.
Light level indicator/ locator light	Select between ON and OFF for the light bar when not interacting with the control.

Additional MyLevel Features Available in System Programming	
Feature	Description
Delayed Off	Allows for control over how quickly/slowly the load turns off. This setting delays the time between when the OFF button is pressed (normal operation) and when the lights actually turn off.

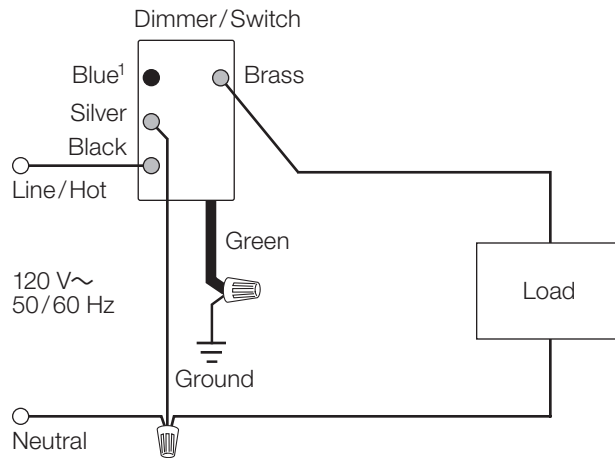
RadioRA 3 RF Sunnata Local Controls

Wiring Diagrams

Wiring Diagram 1

Single-Location Installation with required Neutral¹

-PRO-N, -8ANS



Note: Bolded lines in diagrams indicate leads on products.
¹ When using controls in single-location installations, tighten the blue terminal. Do not connect the blue terminal to any other wiring or to ground.

RadioRA 3 RF Sunnata Local Controls

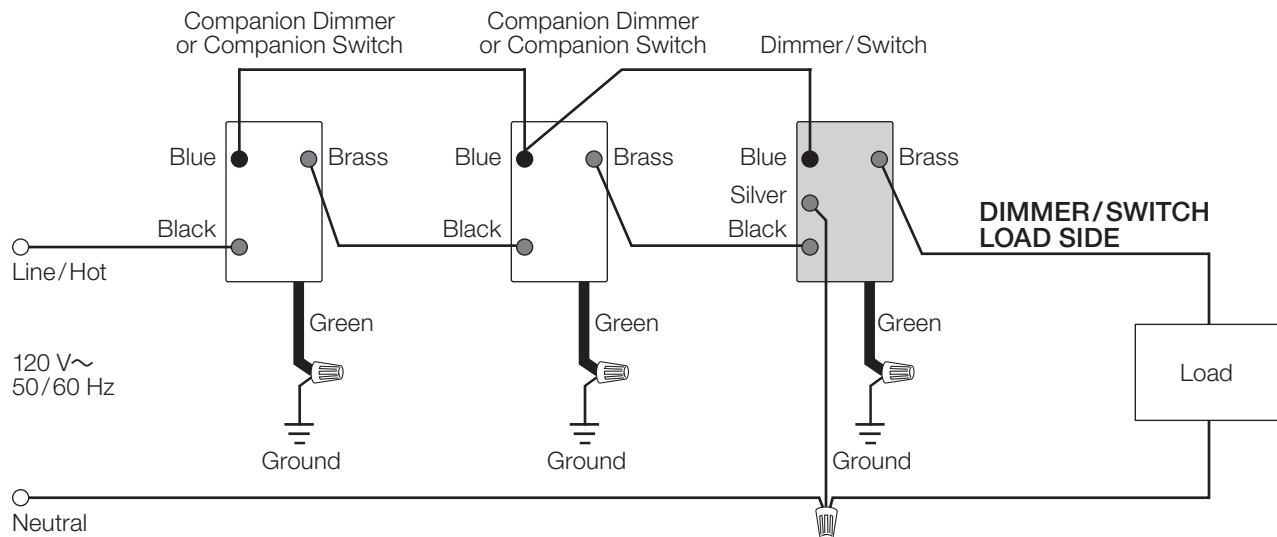
Wiring Diagrams (continued)

Wiring Diagram 2

Multi-Location Installation with required Neutral¹

-PRO-N with -RD OR -8ANS with -RS

Note: Dimmer and switch must be on the load side



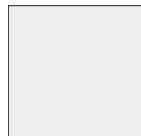
Note: Bolded lines in diagrams indicate leads on products.

¹ Up to four companion dimmers/companion switches may be connected to the dimmer/switch. Total blue terminal wire length may be up to 150 ft (45 m).

RadioRA 3 RF Sunnata Local Controls

Colors and Finishes

Gloss Finishes



White
WH



Ivory
IV



Light Almond
LA

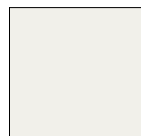


Black
BL

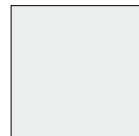
Satin Finishes



Brilliant White
BW



Glacier White
GL



Snow White
SW



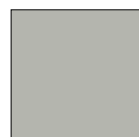
Architectural
White
RW



Lunar Gray
LG



Mist
MI



Pebble
PB



Cobblestone
CS



Slate
SL



Midnight
MN



Biscuit
BI



Sand
SD



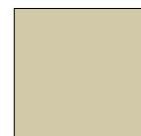
Taupe
TP



Pumice
PM



Clay
CY



Sage
SA



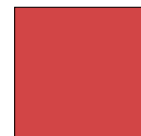
Espresso
EP



Truffle
TF



Deep Sea
DE



Signal Red
SR

- Due to printing limitations, colors and finishes shown cannot be guaranteed to perfectly match actual product colors.
- Color chip keychains are available for more precise color matching:
Gloss Finishes: DG-CK-1
Satin Finishes: SF-CK-1

* RadioRA 3 Sunnata dimmer, companion dimmer, switch, and companion switch are NOT field colorizable.

Lutron, Sunnata, Claro, Hi-lume, RadioRA, RadioRA 3, FASS, MyLevel, and Clear Connect are trademarks or registered trademarks of Lutron Electronics Co., Inc. in the US and/or other countries.

All other product names, logos, and brands are property of their respective owners.