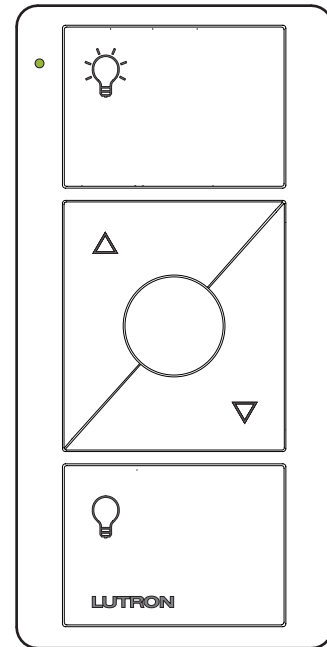


Pico Wireless Control (for North, Central, and South America)

The Pico wireless control is a flexible and easy to use device that allows the user to control Lutron wireless load-control devices from anywhere in the space. This battery-operated control requires no external power or communication wiring.

Features

- Provides control for the following:
 - Caséta Wireless controls
 - Energi Savr Node, Quantum, and myRoom systems, through the use of a QS sensor module (QSM)
 - Vive systems, including:
 - Maestro Wireless controls
 - PowPak modules
 - GRAFIK Eye QS wireless systems
 - HomeWorks QS wireless systems
 - Maestro Wireless controls
 - PowPak modules
 - RadioRA 2 systems
 - Serena RF remote control shades
 - Sivoia QS wireless systems
- Control available in a variety of button marking options.
- Control available in Gloss and Satin Colors finishes.
- Easy reconfiguration for use as:
 - Handheld remote
 - Wall-mount control (with or without faceplate; faceplate adapter kit sold separately)
 - Car visor control (car visor clip sold separately)
 - A table top control (table top pedestal sold separately).
- Battery-powered. Requires no wiring.
- 10 year battery life² (one CR2032 battery included).
- Can provide control of blinds, curtains, or lighting devices within a range of 30 ft (9 m) through walls and 60 ft (18 m) line-of-sight.
- BAA-compliant model numbers available in gloss only.³
- BAA-compliant Pico kit includes Pico wallplate adapter.³



Pico wireless control¹

¹ Button markings for Lights shown. Shade printing also available.

² Based on a 1 year shelf life, an average of 10 button presses per day, and an ambient temperature of 86 °F (30 °C). Actual life may vary based on usage and environmental conditions.

³ For a complete list of BAA/TAA compliant products please visit our website at Lutron.com/BAA and select "Download BAA Product List".

Job Name:

Model Numbers:

Job Number:

Specifications

Regulatory Approvals

- Lutron Quality Systems registered to ISO 9001:2015.
- cULus
- FCC Certified (U.S.A.)
- IC Certified (Canada)
- COFETEL Certified (Mexico)
- SUTEL Certified (Costa Rica)
- Anatel Certified (Brazil)

Power

- Operating Voltage 3 V \equiv
- (1) CR2032 Battery (included)

System Communication and Capacity

- Communicates using Radio Frequency (RF) at 431 MHz to 437 MHz.
- Thousands of system addresses prevent interference between systems.
- Can be assigned to control blinds, curtains or lighting devices that are within a 30 ft (9 m) range.
- Can be configured as a scene or zone control in GRAFIK Eye QS wireless applications.

Mounting Considerations

- All RF devices should be mounted on nonmetallic surfaces to ensure proper performance.
- If you wish to mount your Pico wireless control to a metallic surface, the PICO-MOUNT-1-XX-CPN6774 will be required in order to maintain proper RF performance. For availability, please contact your local Lutron sales office.

Environment

- Ambient operating temperature: 32 °F to 140 °F (0 °C to 60 °C)
- Maximum 90% non-condensing relative humidity
- Indoor use only

Warranty

- 1 Year Limited Warranty
For additional Warranty information, please visit www.lutron.com/TechnicalDocumentLibrary/369-119_Wallbox_Warranty.pdf

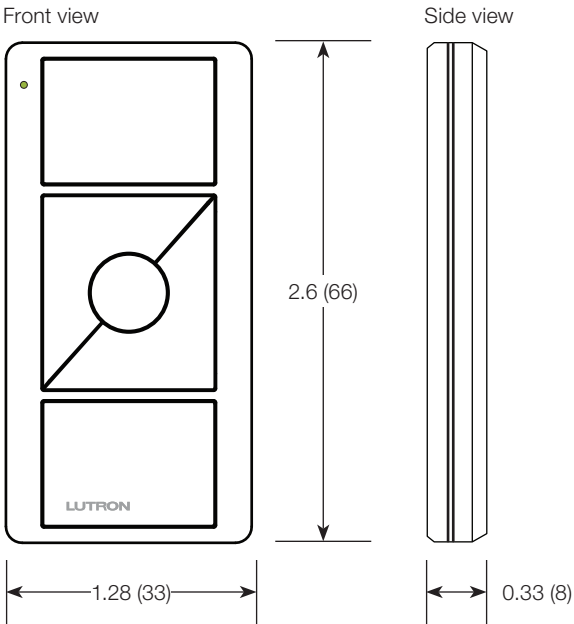
Job Name:

Model Numbers:

Job Number:

Pico Wireless Control Dimensions

Measurements shown as: in (mm)



<p>Job Name:</p> <p>Job Number:</p>	<p>Model Numbers:</p>
--	-----------------------

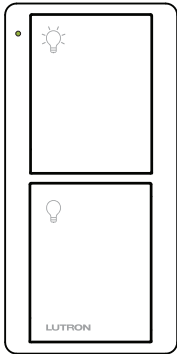
Operation

2 Button Controls (2B)

Lights Models: **L01**

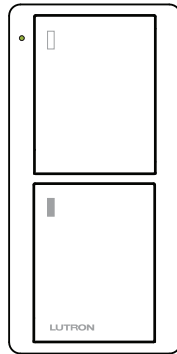
Appliance Model: **L02**

Screens Model: **S08**



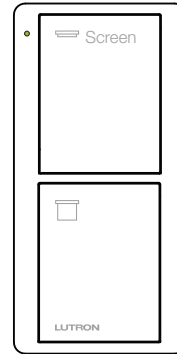
ON Button
Lights go to full intensity.

OFF Button
Lights go to off.



ON Button
Appliance is turned ON.

OFF Button
Appliance is turned OFF.



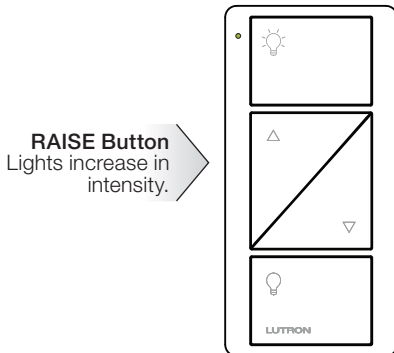
OPEN Button
Screens go to open limit.

CLOSE Button
Screens go to close limit.

2 Button Controls with Raise/Lower (2BRL)

Lights Model: **L01**

Shades Model: **S01**

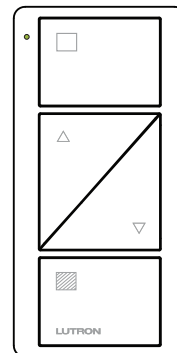


ON Button
Lights brighten to full intensity.

LOWER Button
Lights decrease in intensity.

OFF Button
Lights dim to off.

RAISE Button
Lights increase in intensity.



OPEN Button
Shades go to open limit.

LOWER Button
Shades move toward close limit.

CLOSED Button
Shades go to close limit.

RAISE Button
Shades move toward open limit.

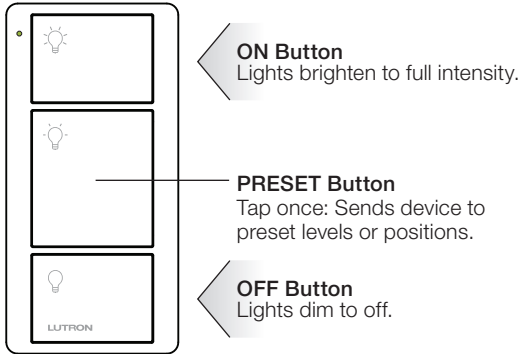
(continued on next page...)

Job Name:	Model Numbers:
Job Number:	

Operation (continued)

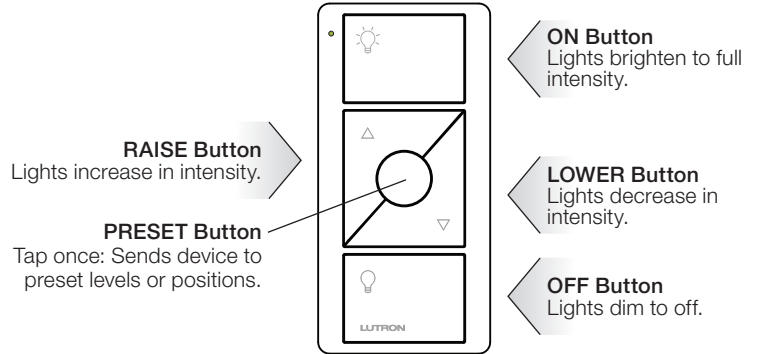
3 Button Controls (3B)

Lights Model: L01

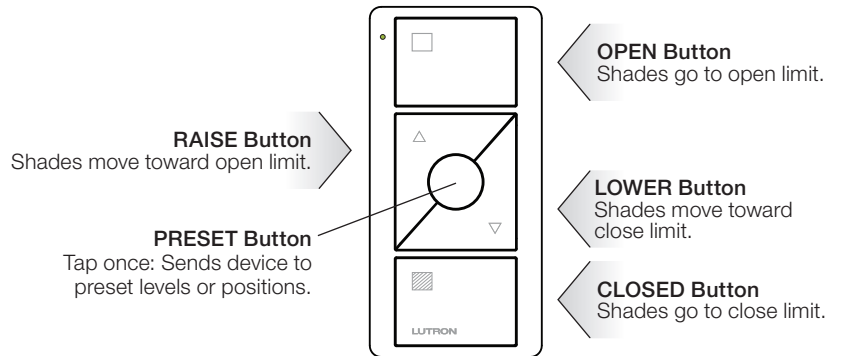


3 Button Controls with Raise/Lower (3BRL)

Lights Models: L01

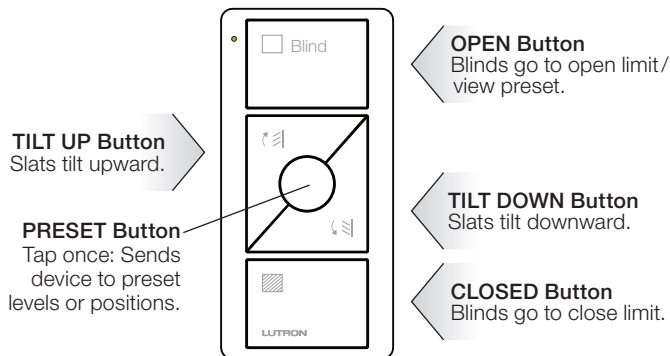


Shades Models: S01, S02, S03, S04, S06, S07

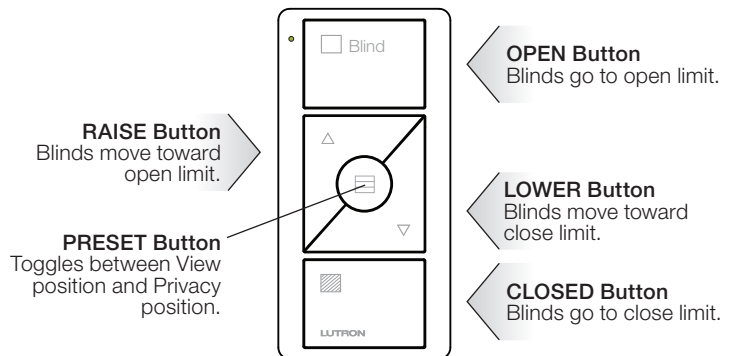


3 Button Controls with Raise/Lower (3BRL)

Blind Models: S05, S10



Horizontal Sheer Blinds Model: S09



Job Name:	Model Numbers:
Job Number:	

Pico Wireless Control Model Number

For order quantities of 96 pieces or greater of the same model number, bulk packaging may be available. Mounting hardware is not available with bulk packaging. Contact your local Lutron sales office.

PJ2 – XXXX – XXX – XXX

Frequency/Channel Code*

Code	Frequency Range
J	431.0 – 437.0 MHz

Button Marking Code
(next page)

* For questions about frequency/channel code compatibility, contact your local Lutron sales office or visit us at www.lutron.com

Button Configuration Codes

Code	Button Configuration
2B	2 Button
2BRL	2 Button with Raise/Lower
3B	3 Button
3BRL	3 Button with Raise/Lower

Color/Finish Codes

Color	Finish	
	Gloss	Texture (Satin Colors)
White	GWH	TSW
Black	GBL	TMN
Ivory	GIV	–
Light Almond	GLA	–
Biscuit	–	TBI
White/Gray ¹	GWG	–

¹ Top and Raise buttons are White; Preset, Lower, and Bottom buttons are Gray

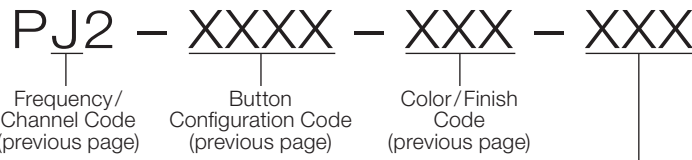
(continued on next page...)

 **LUTRON** SPECIFICATION SUBMITTAL

Page:

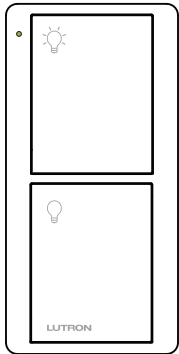
Job Name:	Model Numbers:
Job Number:	

Pico Wireless Control Model Number (continued)

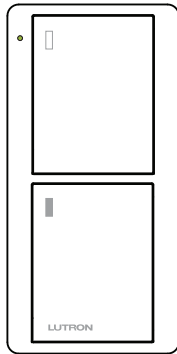


Button Marking Codes

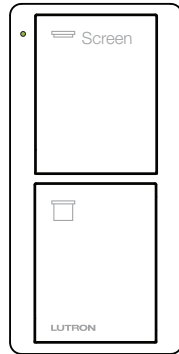
2 Button



L01: Lights (icons only)

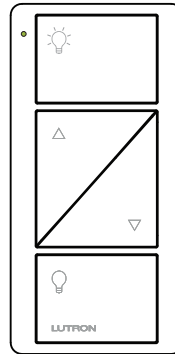


L02: Appliances (icons only)

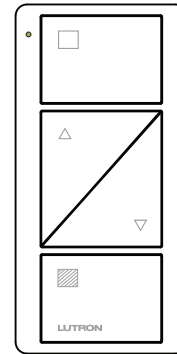


S08: Screens (icons + text)

2 Button with Raise/Lower

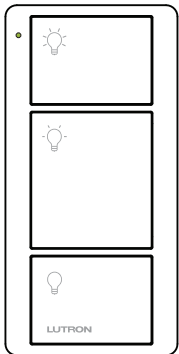


L01: Lights (icons only)



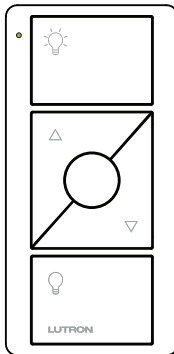
S01: Shades (icons only)

3 Button

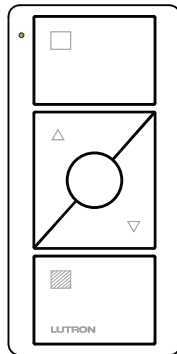


L01: Lights (icons only)

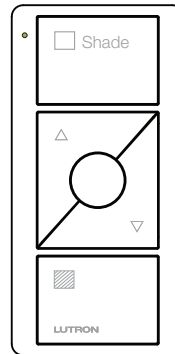
3 Button with Raise/Lower



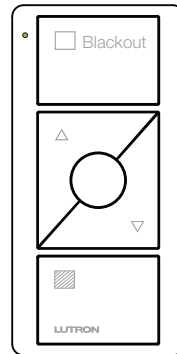
L01*: Lights (icons only)



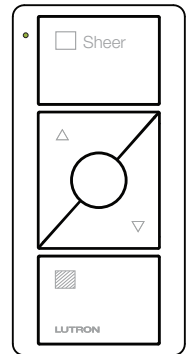
S01: Shades (icons only)



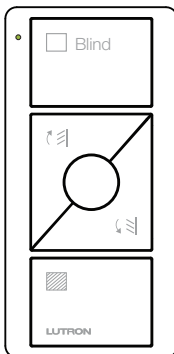
S02: Shades (icons + text)



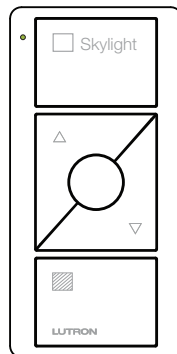
S03: Blackouts (icons + text)



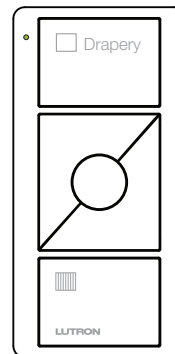
S04: Sheers (icons + text)



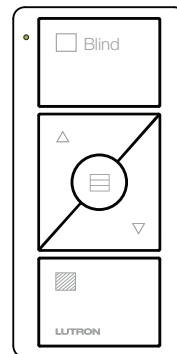
S05: Blinds (icons + text)



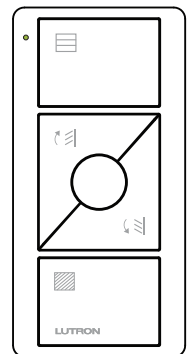
S06: Skylights (icons + text)



S07: Draperies (icons + text)



S09: Horizontal Sheer Blinds (icons + text)



S10: Tilt Blinds (icons only)

* Add "R" after "L01" in the model number for Caséta wireless retail packaging. Available in Gloss White (WH) or Light Almond (LA).

<p>Job Name:</p>	<p>Model Numbers:</p>
<p>Job Number:</p>	

Pico Wireless Control Model Number (BAA Compliant)

For order quantities of 96 pieces or greater of the same model number, bulk packaging may be available. Mounting hardware is not available with bulk packaging. Contact your local Lutron sales office.

UPJ2 – XXXX – XX – L01

Frequency/Channel Codes*

Code	Frequency Range
J	431.0 – 437.0 MHz

* For questions about frequency/channel code compatibility, contact your local Lutron sales office or visit us at www.lutron.com

Button Configuration Codes

Code	Button Configuration
2B	2 Button
2BRL	2 Button with Raise/Lower
3B	3 Button
3BRL	3 Button with Raise/Lower

Color Codes

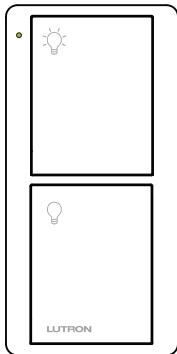
Color	Code
	Gloss ¹
White	WH
Black	BL
Ivory	IV
Light Almond	LA
White/Gray ²	WG

¹ BAA controls are available in Gloss finish only. For a complete list of BAA/TAA compliant products please visit our website at Lutron.com/BAA and select "Download BAA Product List".

² Top and Raise buttons are White; Preset, Lower, and Bottom buttons are Gray

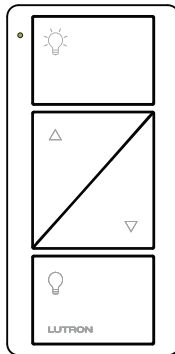
Button Marking Codes

2 Button



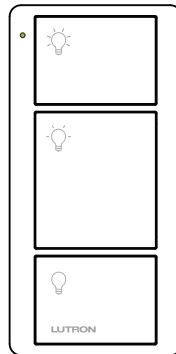
L01: Lights (icons only)

2 Button with Raise/Lower



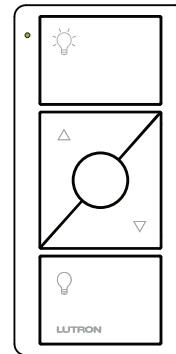
L01: Lights (icons only)

3 Button



L01: Lights (icons only)

3 Button with Raise/Lower



L01: Lights (icons only)

Job Name:	Model Numbers:
Job Number:	

Pico Pedestal Model Number

Pedestals sold separately. Available in gloss finish only

L – PEDX – XX

Capacity Codes

Capacity	Code
Single	1
Double	2
Triple	3

Color Codes

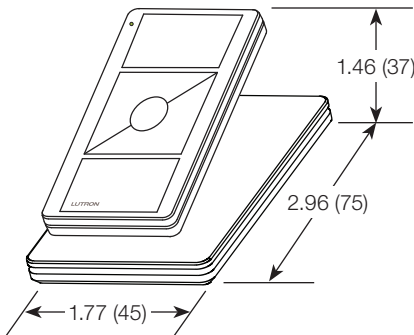
Color*	Code
White	WH
Black	BL

* Available in gloss finish only.

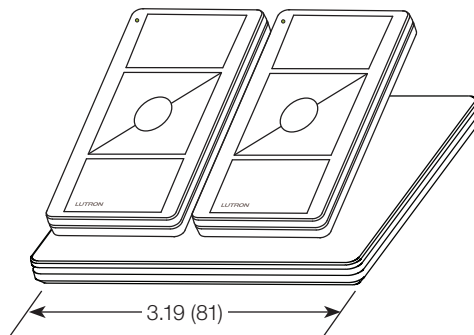
Pico Pedestal Dimensions

Measurements shown as: in (mm)

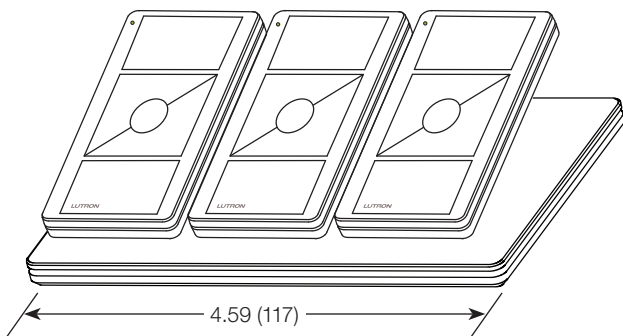
Single Pedestal



Double Pedestal



Triple Pedestal¹



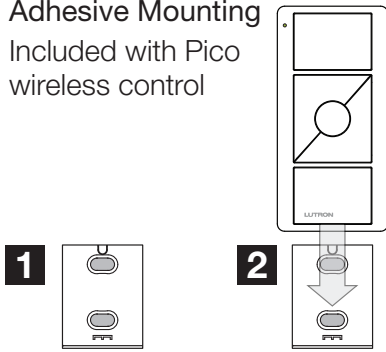
¹ For Triple Pedestals contact your local Lutron sales office or visit us at www.lutron.com

Job Name:	Model Numbers:
Job Number:	

Mounting Options

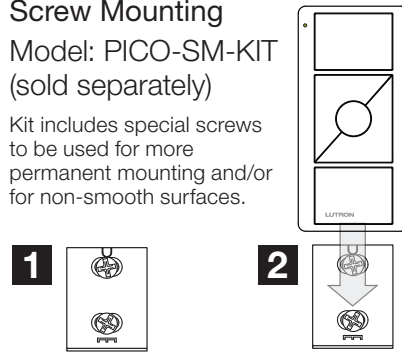
Standalone Mounting

Adhesive Mounting
Included with Pico wireless control



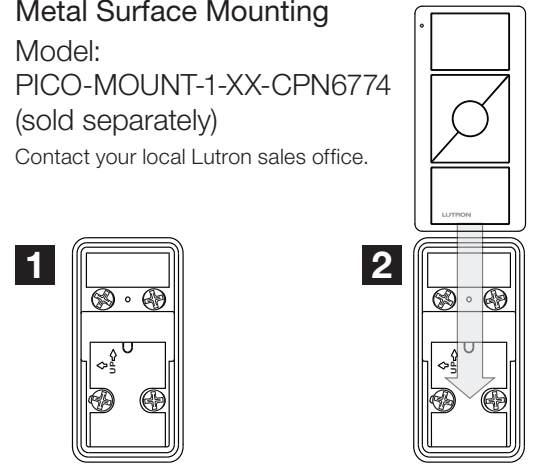
Screw Mounting
Model: PICO-SM-KIT (sold separately)

Kit includes special screws to be used for more permanent mounting and/or for non-smooth surfaces.



Metal Surface Mounting
Model: PICO-MOUNT-1-XX-CPN6774 (sold separately)

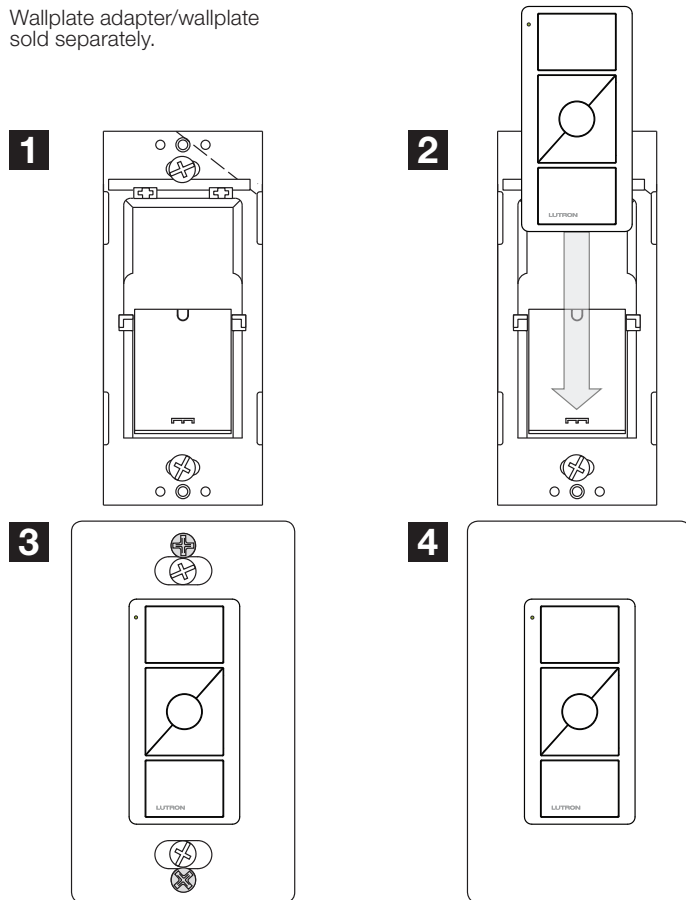
Contact your local Lutron sales office.



Wallbox Mounting

Wallbox Adapter
Model: PICO-WBX-ADAPT (sold separately)

Wallplate adapter/wallplate sold separately.



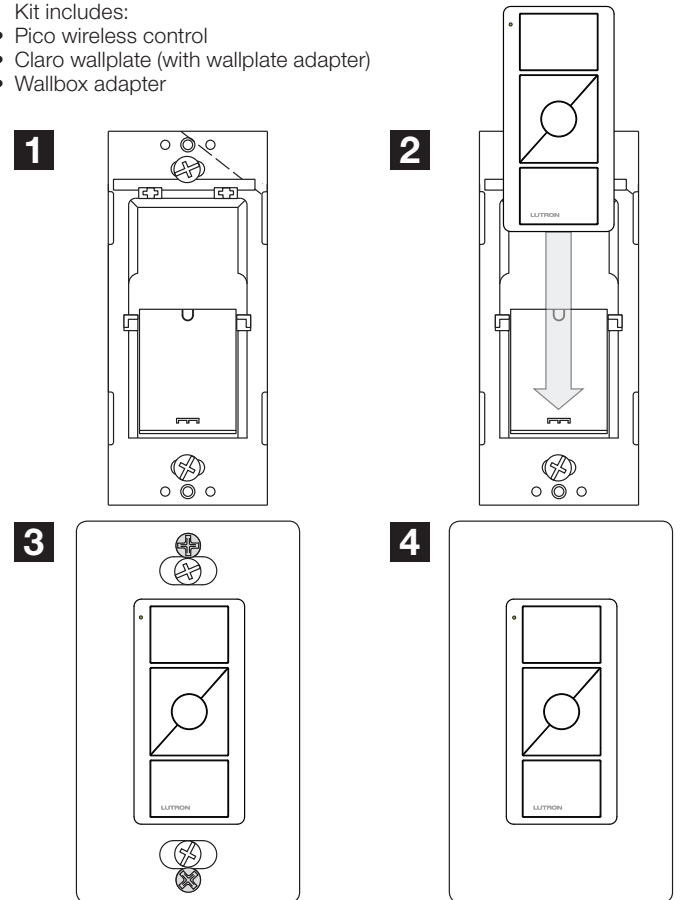
Surface Mounting Kits

Wall-Mounting Kit

Model: PJ2-WALL-WH-L01; PJ2-WALL-WH-L01C* (sold separately)

Kit includes:

- Pico wireless control
- Claro wallplate (with wallplate adapter)
- Wallbox adapter



* Canadian packaged product.

Job Name:	Model Numbers:
Job Number:	

Mounting Options (continued)

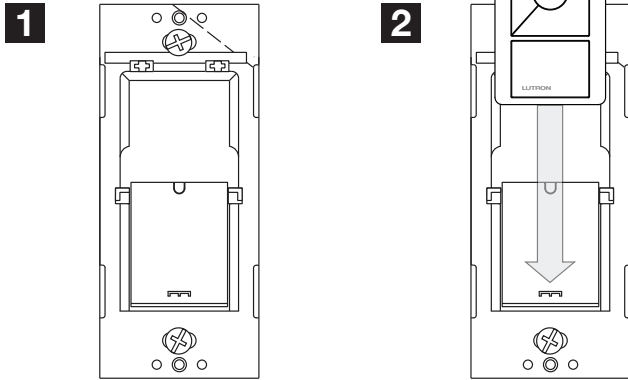
Surface Mounting Kits (continued)

Wall-Mounting Kit (BAA Compliant)*

Model: UPJ2-XXXX-XX-L01
(sold separately)

Kit includes:

- Pico wireless control
- Wallbox adapter

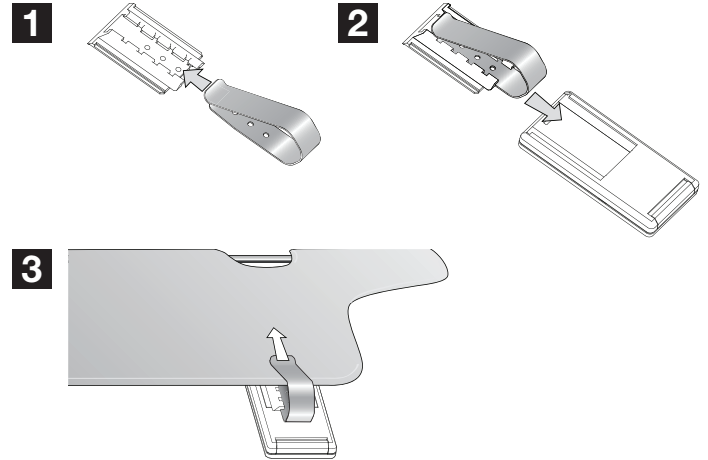


* For a complete list of BAA/TAA compliant products please visit our website at Lutron.com/BAA and select "Download BAA Product List".

Vehicle Mounting

Mounting to a Car Visor

Model: PICO-CARVISOR-CL
(sold separately)



The Lutron logo, Lutron, Pico, Caséta, Quantum, Maestro, Maestro Wireless, myRoom, Energi Savr Node, Vive, PowPak, GRAFIK Eye, RadioRA, Satin Colors, Serena, Sivoia, HomeWorks, Claro, and the design of the Pico remote are trademarks or registered trademarks of Lutron Electronics Co., Inc. in the US and/or other countries.

LUTRON SPECIFICATION SUBMITTAL

Page:

<p>Job Name:</p> <p>Job Number:</p>	<p>Model Numbers:</p>
--	-----------------------