

# Maestro Wireless Dimmers and Switches

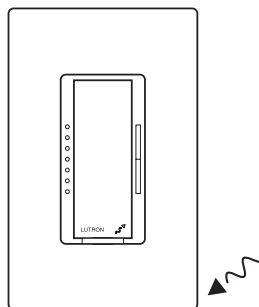
The Maestro Wireless solution incorporates Maestro Wireless load controls, wireless sensors, and wireless remote controls, which provide a system that delivers energy savings, convenience, and ease of installation.

Maestro Wireless dimmers and switches use Lutron patented Clear Connect RF Technology, which enables wireless communication with Radio Powr Savr sensors and Pico wireless controls for light control and general switched loads.

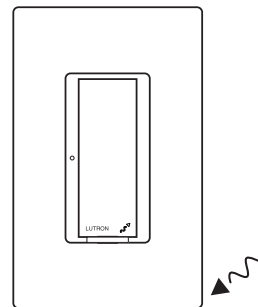
## Features

- The Maestro Wireless solution provides dimming/switching of multiple load types, occupancy/vacancy sensing, daylight harvesting, and high-end trim.
- Lutron patented Clear Connect RF Technology works through walls and floors.
- Incorporates advanced features such as fade ON/fade OFF, high-end trim, and rapid full-ON.
- Controls include Front Accessible Service Switch (FASS) for safe lamp replacement.
- Two-wire dimmers and switches available for retrofit applications.
- Power failure memory: If power is interrupted, the control will return to its previously set level prior to interruption.

## Receiving Devices Maestro Wireless Controls

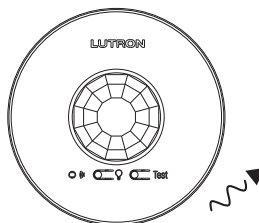


Neutral and Non-Neutral Dimmers

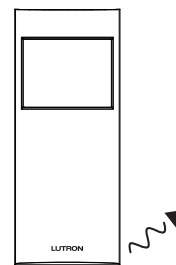


Neutral and Non-Neutral Switches

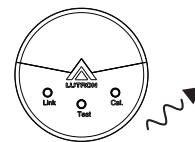
## Transmitting Devices Radio Powr Savr Sensors



Ceiling-Mounted Occupancy and Vacancy Sensors

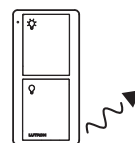
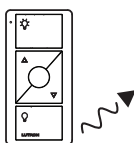


Wall-Mounted Occupancy and Vacancy Sensors



Daylight Sensors

## Pico Wireless Controls



<p>Job Name:</p>  <p>Job Number:</p>	<p>Model Numbers:</p>
--------------------------------------------	-----------------------

# Maestro Wireless Dimmers

## Models Available

### Dimmers

#### CFL/LED/Halogen/Incandescent/Magnetic Low-Voltage

- MRF2-6CL-XX            150 W CFL/LED Dimmer;  
600 W/600 VA Incandescent/MLV Dimmer 120 V~
- MRF2-6MLV-XX        600 W/600 VA Incandescent/MLV Dimmer 120 V~
- MRF2-6ND-120-XX<sup>1,2</sup> 600 W/600 VA Spec-Grade Neutral wire Dimmer 120 V~
- MRF2-10D-120-XX<sup>2</sup> 1000 W/1000 VA Spec-Grade Dimmer 120 V~

#### 3-Wire Fluorescent

- MRF2-F6AN-DV-XX<sup>1,2</sup> 6 A 3-wire Fluorescent Spec-Grade Neutral-Wire Dimmer  
120-277 V~

#### Electronic Low-Voltage Dimmer

- MRF2-6ELV-120-XX<sup>1</sup> 600 W ELV Dimmer 120 V~

### Companion Dimmers

#### Claro Gloss Finishes

- MA-R-XX<sup>2</sup>                Companion Dimmer 120 V~
- MA-R-277-XX<sup>2</sup>        Companion Dimmer 277 V~

#### Satin Colors Satin Finishes

- MSC-AD-XX              Companion Dimmer 120 V~
- MSC-AD-277-XX        Companion Dimmer 277 V~

### Packages

#### Includes:

- MRF2-600MTHW-WH<sup>3</sup>    1 MRF2-600M-WH (600 W incandescent dimmer 120 V~)  
1 CW-1-WH (single-gang faceplate)  
1 PICO-CARVISOR (car visor clip)  
1 PJ2-3BRL-GWH (3-button with raise/lower Pico wireless control in White/Gray)
- MRF2-600MTHW-WHC<sup>3, 4</sup> 1 MRF2-600M-WH (600 W incandescent dimmer 120 V~)  
1 CW-1-WH (single-gang faceplate)  
1 PICO-CARVISOR (car visor clip)  
1 PJ2-3BRL-GWH (3-button with raise/lower Pico wireless control in White/Gray)
- MRF2-600MHW-WH<sup>3</sup>     1 MRF2-600M-WH (600 W incandescent dimmer 120 V~)  
1 CW-1-WH (single-gang faceplate)
- MRF2-600MHW-WH-C<sup>3, 4</sup> 1 MRF2-600M-WH (600 W incandescent dimmer 120 V~)  
1 CW-1-WH (single-gang faceplate)

**NOTE:** "XX" in the model number represents color/finish code.

<sup>1</sup> Neutral wire required  
<sup>2</sup> BAA-compliant model numbers available. Add a "U" prefix to the model number. [For a complete list of BAA/TAA compliant products please visit our website at Lutron.com/BAA and select "Download BAA Product List".](http://www.lutron.com/BAA)  
<sup>3</sup> Clamshell packaging. Available in WH only.  
<sup>4</sup> Product for Canada.

Dimmer



Companion Dimmer



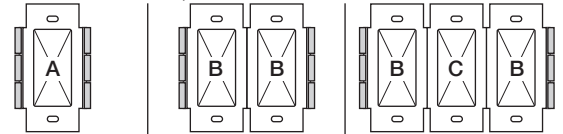
<b>Job Name:</b>	<b>Model Numbers:</b>
<b>Job Number:</b>	

## Ganging and Derating

When combining controls in the same wallbox, derating is required (see Load Type and Capacity tables). Only MRF2-8ANS controls have fins that need to be removed for multigang installations. No other controls have fins, but they must still be derated in multigang installations.

## Dimmer Load Type and Capacity

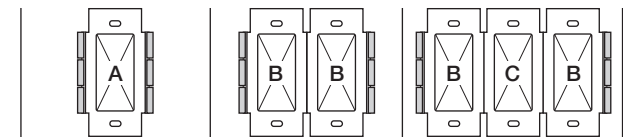
Do not remove outside fins on ends of ganged controls (shaded areas below)



### Neutral Required

Control	Voltage	Load Type	Minimum Load	Maximum Load		
				A: Not Ganged	B: End of Gang	C: Middle of Gang
MRF2-6ND-120 <sup>1,2,3</sup>	120 V~	Incandescent	25 W	600 W	500 W	400 W
		MLV <sup>2</sup>	25 W/VA	450 W/600 VA	400 W/500 VA	300 W/400 VA
MRF2-6ELV <sup>1,2</sup>	120 V~	ELV <sup>2</sup>	5 W	600 W	500 W	400 W
MRF2-F6AN-DV <sup>1,3</sup>	120–277 V~	Lighting	1 ballast 0.05 A	6 A	5 A	3 A

### No Neutral Required



Control	Voltage	Load Type	Minimum Load	Maximum Load		
				A: Not Ganged	B: End of Gang	C: Middle of Gang
MRF2-6CL <sup>1,2</sup>	120 V~	CFL/LED, Incandescent	50 W (see lamp list)	See <i>Mixing Lamp Types</i> , page 4		
		MLV <sup>2</sup>	50 W/VA	450 W/600 VA	400 W/500 VA	300 W/400 VA
MRF2-6MLV <sup>1,2</sup>	120 V~	MLV <sup>2</sup>	50 VA	450 W/600 VA	400 W/500 VA	300 W/400 VA
MRF2-10D-120 <sup>1,2,3</sup>	120 V~	Incandescent	50 W	1000 W	800 W	650 W
		MLV <sup>2</sup>	50 W/VA	800 W/1000 VA	600 W/800 VA	500 W/650 VA

**Note:** do not mix ELV and MLV load types on a single control.

<sup>1</sup> Dimmer Load Type:

- MRF2-6ND-120 is designed for use with permanently-installed incandescent, magnetic low-voltage, or tungsten halogen only. Can control Power Modules (PHPM-PA-DV, PHPM-3F-DV-WH, PHPM-WBX-DV-WH, and GRX-TVI) and legacy interfaces Hi-Power 2•4•6 Boosters (HP-2, HP-4, HP-6).
- MRF2-6MLV and MRF2-10D-120 are designed for use with permanently-installed incandescent, magnetic low-voltage, or tungsten halogen only.
- MRF2-6ELV is designed for use with permanently-installed electronic low-voltage, incandescent, or tungsten/halogen only. Do not install dimmers to control receptacles or motor-operated appliances.
- MRF2-F6AN-DV is designed for use with permanently installed 3-wire line voltage control fluorescent ballasts or LED drivers only (Hi-lume, Hi-lume Compact SE, Eco-10, and EcoSystem). Can control Power Modules (PHPM-PA-DV, PHPM-3F-DV-WH, PHPM-WBX-DV-WH, and GRX-TVI).
- MRF2-6CL is designed for use with permanently-installed incandescent, CFL, LED, magnetic low-voltage, or tungsten halogen only.

<sup>2</sup> Low-Voltage Applications:

- Use MRF2-6ND-120, MRF2-6MLV, MRF2-6CL, and MRF2-10D-120 with magnetic (core and coil) low-voltage transformers only. Not for use with electronic (solid-state) low-voltage transformers.
- Use MRF2-6ELV with electronic (solid-state) low-voltage transformers only. Operation of a low-voltage circuit with lamps inoperative or removed may result in transformer overheating and premature failure. Lutron strongly recommends the following:
  - Do not operate low-voltage circuits without operative lamps in place.
  - Replace burned-out lamps as quickly as possible.
  - Use transformers that incorporate thermal protection or fused transformer primary windings to prevent transformer failure due to overcurrent.
- See Application Note #559 for dimming low voltage LEDs.

<sup>3</sup> BAA-compliant model numbers available. Add a “U” prefix to the model number. [For a complete list of BAA/TAA compliant products please visit our website at Lutron.com/BAA and select “Download BAA Product List”.](http://Lutron.com/BAA)

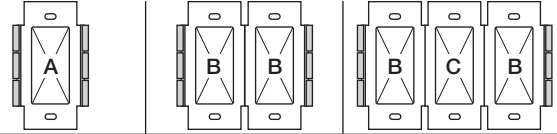
<b>Job Name:</b>	<b>Model Numbers:</b>
<b>Job Number:</b>	

## Dimmer Load Type and Capacity (continued)

### Mixing Lamp Types

Mixing lamp types (using a combination of CFL/LED, and Incandescent/Halogen bulbs) and ganging with other dimmers or electronic switches may reduce maximum wattage, as shown.

Do not remove outside fins on ends of ganged controls (shaded areas below)



Total CFL/LED Wattage		Total Incandescent/Halogen Wattage			
		A: Not Ganged	B: End of Gang	C: Middle of Gang	
MRF2-6CL					
0 W	+	50 W-600 W	Or	50 W-500 W	Or 50 W-400 W
1 W-25 W	+	0 W-500 W	Or	0 W-400 W	Or 0 W-300 W
26 W-50 W	+	0 W-400 W	Or	0 W-300 W	Or 0 W-200 W
51 W-75 W	+	0 W-300 W	Or	0 W-200 W	Or 0 W-100 W
76 W-100 W	+	0 W-200 W	Or	0 W-100 W	Or 0 W-50 W
101 W-125 W	+	0 W-100 W	Or	0 W-50 W	Or 0 W
126 W-150 W	+	0 W	Or	0 W	Or 0 W

Total MLV Wattage	Maximum Load		
		450 W / 600 VA	400 W / 500 VA

**Example**

If a dimmer is installed in location "B" above and there are two 24 W CFL bulbs installed (Total CFL Wattage = 48 W), you may add up to 300 W of incandescent or halogen lighting.

Job Name:	Model Numbers:
Job Number:	

# Maestro Wireless Switches

## Models Available

### Switches

#### Lighting and motor loads

MRF2-6ANS-XX <sup>1</sup>	6 A Lighting/3 A Fan (1/10 HP motor), Electronic Switch 120 V~
MRF2-8ANS-120-XX <sup>1,2</sup>	8 A Lighting, 5.8 A Fan (1/4 HP motor), Spec-Grade Electronic Switch 120 V~
MRF2-8S-DV-XX <sup>2,3</sup>	8 A Lighting, 3 A Fan (1/10 HP motor, 120 V~ only), Spec-Grade Electronic Switch 120–277 V~, no neutral wire required

Switch



Companion Switch



## Companion Switches

### Claro Gloss Finishes

MA-AS-XX <sup>2</sup>	Companion Switch 120 V~
MA-AS-277-XX <sup>2</sup>	Companion Switch 277 V~

### Satin Colors Satin Finishes

MSC-AS-XX	Companion Switch 120 V~
MSC-AS-277-XX	Companion Switch 277 V~

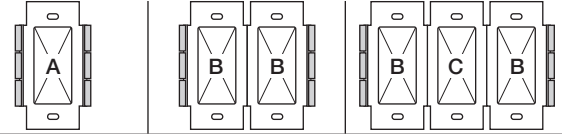
**NOTE:** "XX" in the model number represents color/finish code.

- <sup>1</sup> Neutral wire required
- <sup>2</sup> BAA-compliant model numbers available. Add a "U" prefix to the model number [For a complete list of BAA/TAA compliant products please visit our website at Lutron.com/BAA](http://Lutron.com/BAA) and select "Download BAA Product List".
- <sup>3</sup> May require LUT-MLC (included with MRF2-8S-DV models) to ensure proper function with low-wattage load types. See page 12 for details.

<b>Job Name:</b>	<b>Model Numbers:</b>
<b>Job Number:</b>	

# Switch Load Type and Capacity

Do not remove outside fins on ends of ganged controls (shaded areas below)



## Neutral Required

Control	Voltage	Load Type	Minimum Load	Maximum Load		
				A: Not Ganged	B: End of Gang	C: Middle of Gang
MRF2-8ANS-120 <sup>1,2,5</sup>	120 V~	Lighting	25 W	8 A	6.5 A	5 A
		Fan Motor	0.2 A	1/4 HP (5.8 A)	1/4 HP (5.8 A)	1/6 HP (4.4 A)
MRF2-6ANS <sup>1</sup>	120 V~	Lighting	25 W	6 A	5 A	3.5 A
		Fan Motor	0.2 A	1/10 HP (3 A)	1/10 HP (3 A)	1/10 HP (3 A)

## No Neutral Required

Control	Voltage	Load Type	Minimum Load	Maximum Load		
				A: Not Ganged	B: End of Gang	C: Middle of Gang
MRF2-8S-DV <sup>1,5</sup>	120-277 V~	Incandescent/Halogen	25 W	8 A	8 A / 7 A <sup>4</sup>	7 A
	120-277 V~	Fluorescent/LED/CFL	40 W (LUT-MLC) <sup>3</sup>	8 A	8 A / 7 A <sup>4</sup>	7 A
	120 V~	Fan Motor	0.4 A	1/10 HP (3 A)	1/10 HP (3 A)	1/10 HP (3 A)

<sup>1</sup> Switch Load Type:

- MRF2-8ANS-120 is designed for use with permanently-installed lighting loads and with fan motor loads up to 1/4 HP (5.8 A).
- MRF2-6ANS is designed for use with permanently-installed lighting loads and with fan motor loads up to 1/10 HP (3 A).
- MRF2-8S-DV is designed for use with permanently-installed lighting loads and with fan motor loads up to 1/10 HP (3 A, 120 V~ only).

<sup>2</sup> For loads larger than 8 A (120 V~), the MRF2-8ANS-120 switch can be used with the PHPM-SW-DV-WH power booster.

<sup>3</sup> The LUT-MLC ensures proper function with low-wattage fluorescent, CFL, and LED load types. See page 12 for details.

<sup>4</sup> Maximum load for double-gang application is 8 A. Triple-gang application derates maximum load to 7 A.

<sup>5</sup> BAA-compliant model numbers available. Add a "U" prefix to the model number. [For a complete list of BAA/TAA compliant products please visit our website at Lutron.com/BAA and select "Download BAA Product List".](http://Lutron.com/BAA)

## Specifications

### Regulatory Approvals

- UL® Listed.
- cUL Listed (MRF2-6CL only).
- CSA Certified (except for MRF2-6CL).
- FCC Approved. Complies with the limits for a Class B digital device, pursuant to Part 15 of the FCC Rules.
- Industry Canada Certified.

### Power

Operating voltage:

- 120 V~ 50/60 Hz (all models)
- 277 V~ 50/60 Hz (MRF2-8S-DV, MRF2-F6AN-DV)

### Key Design Features

#### Dimmers

- On a single-tap, lights fade UP or DOWN.
- On a double-tap, lights go to full ON.
- When ON, press and hold to engage 20-second fade to OFF.
- Light levels can be fine-tuned by pressing and holding the dimming rocker until the desired light level is reached.
- Two-wire dimmers available.

#### Switches

- On a single-tap, lights turn ON or OFF.
- Two-wire switches available.

### All RF Local Controls

- Tested to withstand electrostatic discharge without damage or memory loss, in accordance with IEC 61000-4-2.
- Tested to withstand surge voltages without damage or loss of operation, in accordance with IEEE C62.41-1991 Recommended Practice on Surge Voltages in Low-Voltage AC Power Circuits.
- Controls always operate locally and do not require system control.
- Power failure memory: should power be interrupted, the control will return to its previously-set level prior to the interruption when power is restored.
- Uses conventional 3-way and 4-way wiring.
- Multiple location control from Dimmer/Switch and up to nine Companion Dimmers/Switches.
- Use Lutron Designer (Claro and Satin Colors) wallplates or designer-style wallplates from other manufacturers. Wallplates are sold separately.
- Lutron Claro and Satin Colors wallplates snap on with no visible means of attachment.
- Requires a one-gang U.S. wallbox; 3½ in (89 mm) deep recommended, 2¼ in (57 mm) deep minimum.
- Green indicator lights.

### System Communications and Capacity

- Maestro Wireless controls communicate with the Pico wireless controls and Radio Power Savr sensors through radio frequency (RF).
- Maestro Wireless local controls must be located within 60 ft (18 m) line-of-sight or 30 ft (9 m) through walls, of Radio Power Savr sensors.
- Maestro Wireless local controls must be located within 100 ft (30 m) line-of-sight or 30 ft (9 m) through walls, of a Pico wireless control.
- Up to ten Maestro Wireless controls can be configured to work together.

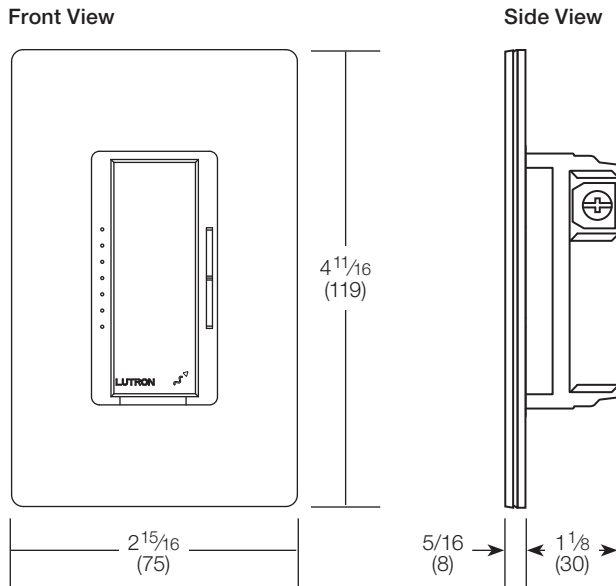
### Environment

- Ambient operating temperature: 32 °F to 104 °F (0 °C to 40 °C), 0%–90% humidity, non-condensing. Indoor use only.

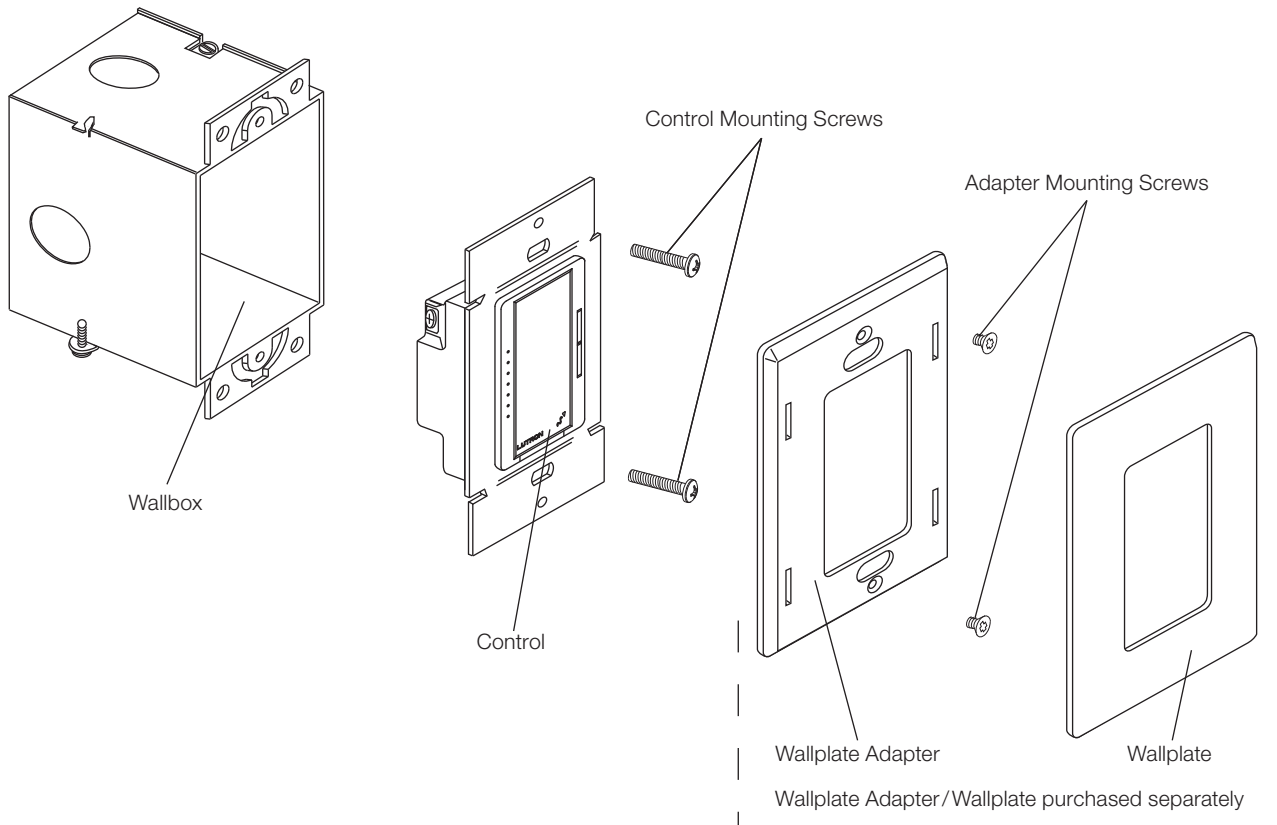
Job Name:	Model Numbers:
Job Number:	

### Dimensions

All dimensions are shown as: in (mm)



### Mounting

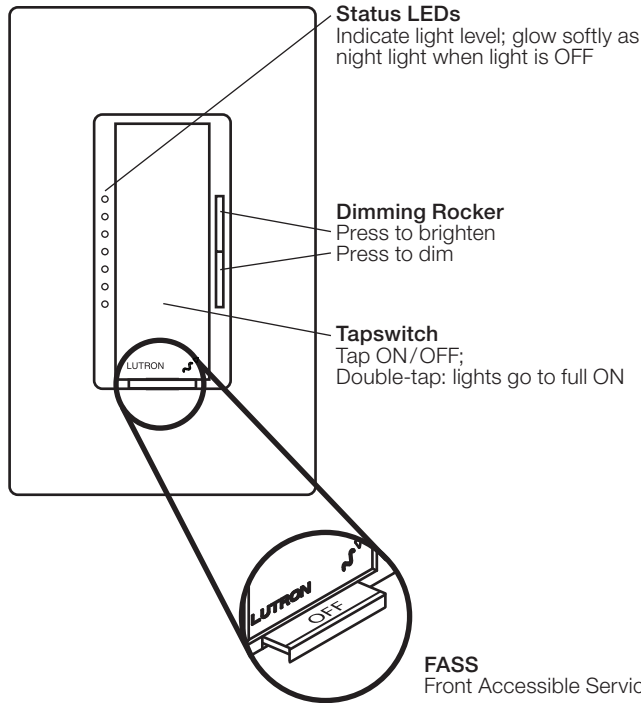


Job Name:	Model Numbers:
Job Number:	

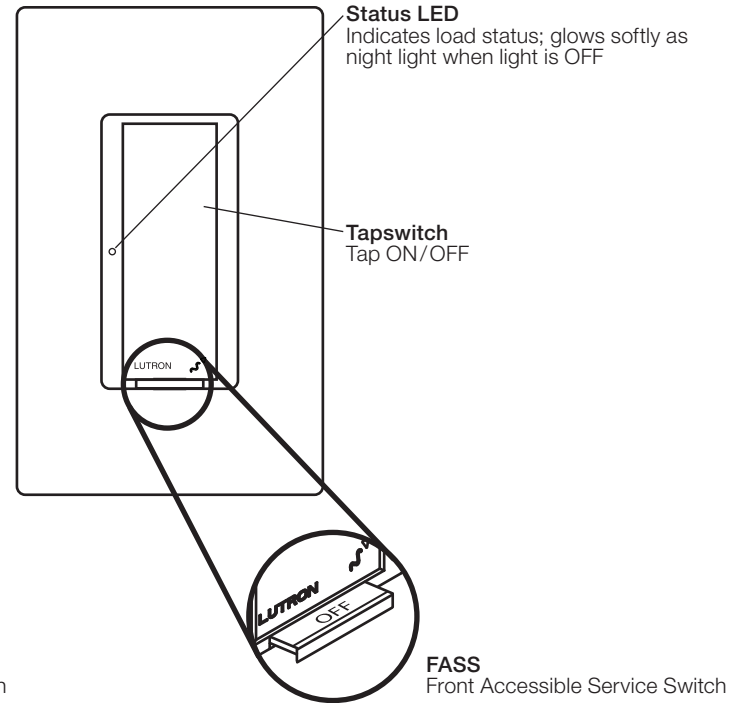


# Operation

## Dimmer



## Switch



### ***FASS Front Accessible Service Switch***

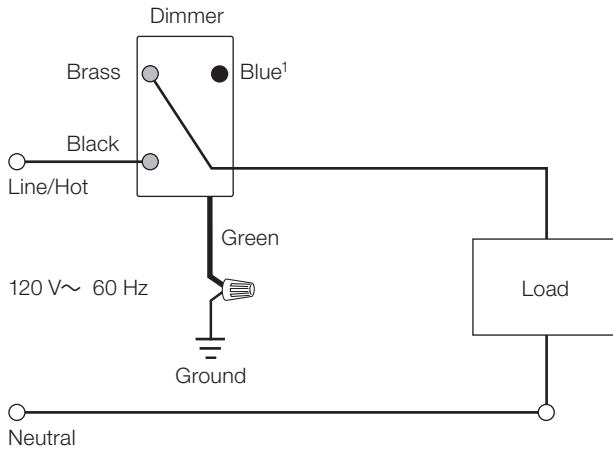
**Important Notice:** To service load, remove power by pulling the FASS out completely on either the Dimmer/Switch or Companion Dimmer/Switch. After servicing load, push the FASS back in fully to restore power to the control.

Job Name:	Model Numbers:
Job Number:	

# Wiring Diagrams

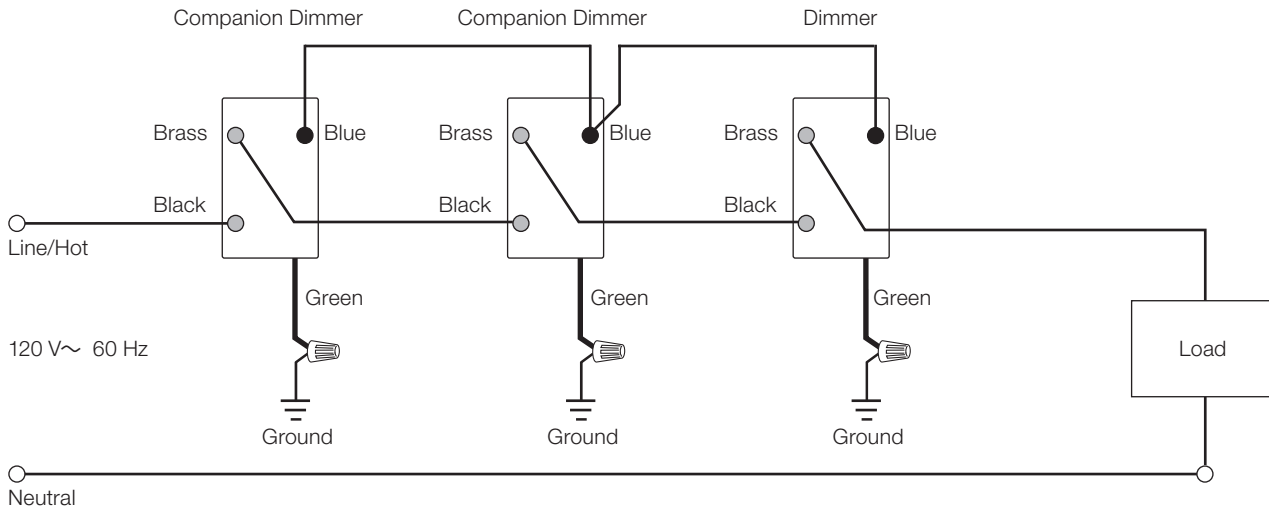
## Single Location Dimmer Installation without Neutral

MRF2-6CL, -6MLV, -10D-120



## Multi-Location Dimmer Installation without Neutral<sup>2</sup>

MRF2-6CL, -6MLV, -10D-120 with MA-R/MS-C-AD



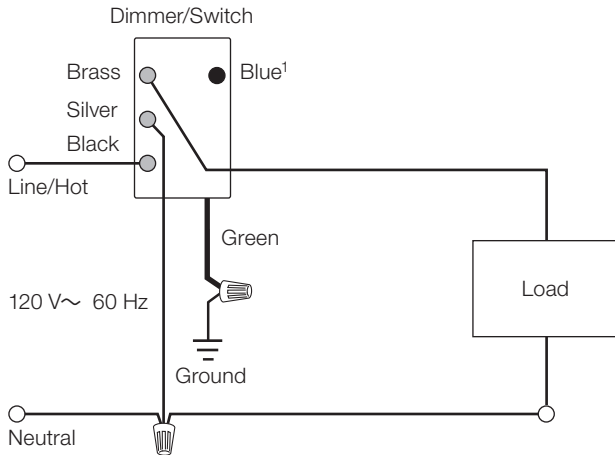
<sup>1</sup> When using controls in single location installations, tighten the blue terminal without any wires attached. Do not connect the blue terminal to any other wiring or to ground.

<sup>2</sup> Up to nine Maestro Companion Dimmers may be connected to the Maestro Wireless Dimmer. Total blue terminal wire length may be up to 250 ft (76 m).

### Wiring Diagrams (continued)

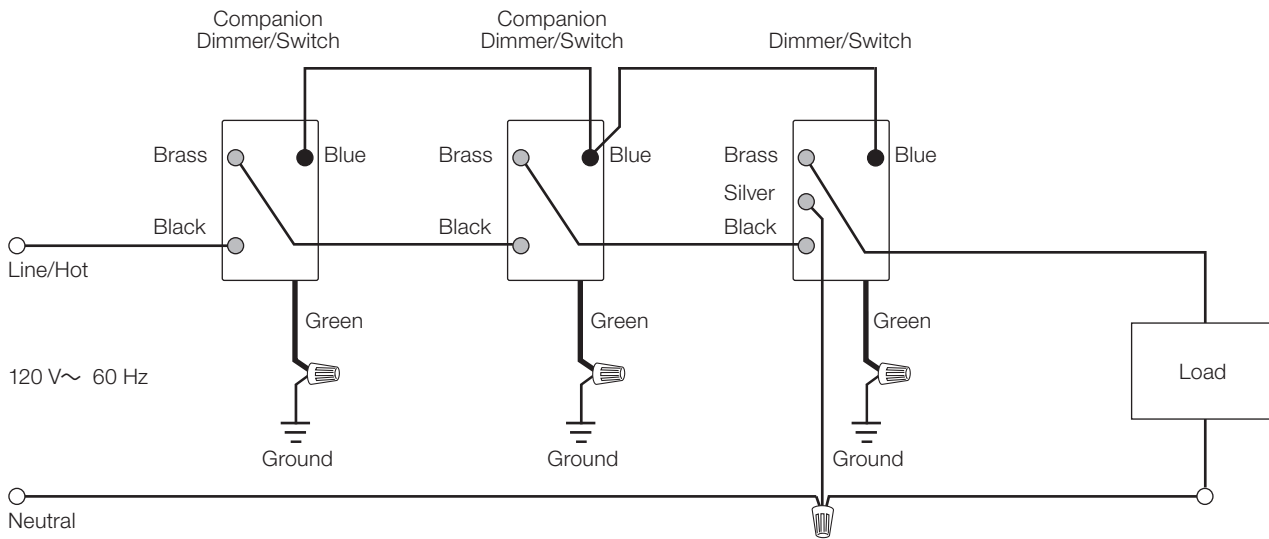
#### Single Location Dimmer/Switch Installation with Neutral

MRF2-6ND-120, -6ELV-120, -6ANS, -8ANS-120



#### Multi-Location Dimmer/Switch Installation with Neutral<sup>2,3</sup>

MRF2-6ND-120, -6ELV-120 with MA-R/MSC-AD; -6ANS, -8ANS-120 with MA-AS/MSC-AS

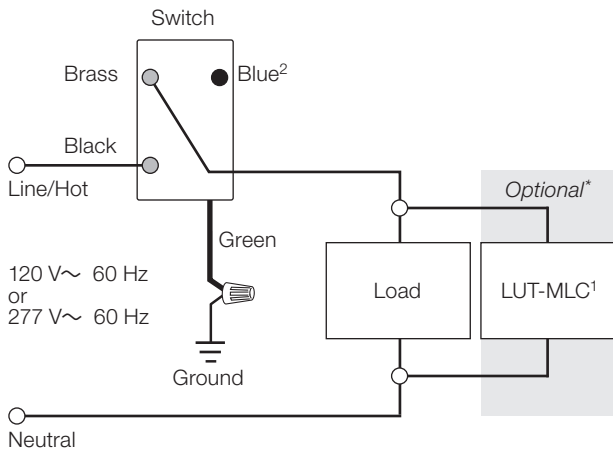


- <sup>1</sup> When using controls in single location installations, tighten the blue terminal without any wires attached. Do not connect the blue terminal to any other wiring or to ground.
- <sup>2</sup> Up to nine Maestro Companion Dimmers/Switches may be connected to the Maestro Wireless Dimmer/Switch. Total blue terminal wire length may be up to 250 ft (76 m).
- <sup>3</sup> Neutral-wire Dimmers/Switches must be connected on the Load side of a multi-location installation.

<b>Job Name:</b>	<b>Model Numbers:</b>
<b>Job Number:</b>	

## Wiring Diagrams (continued)

### Single Location Switch Installation with LUT-MLC<sup>1</sup> MRF2-8S-DV

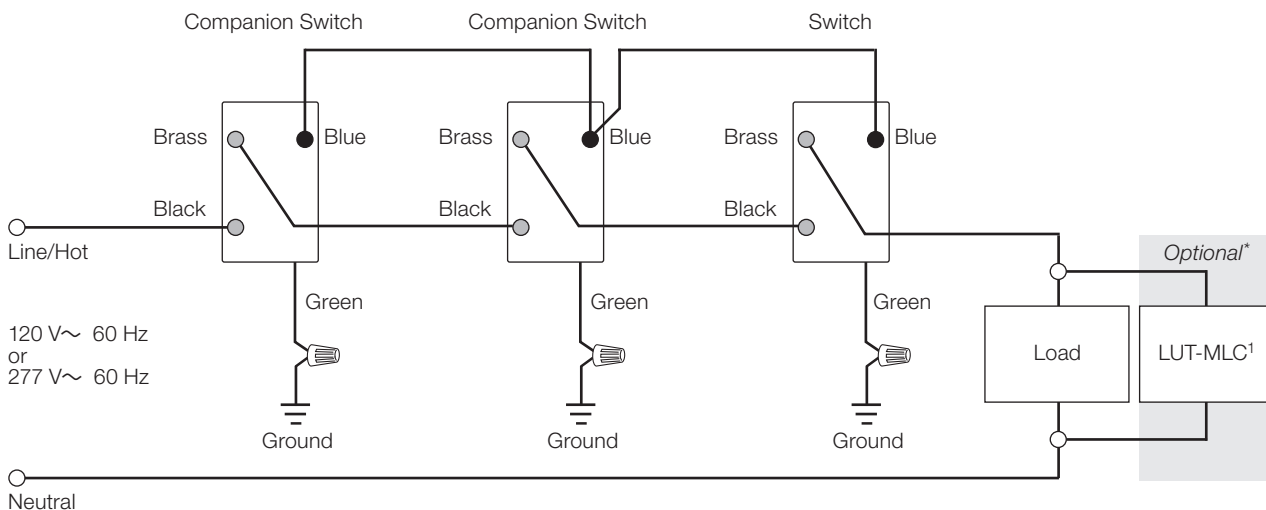


**\* Optional Procedure:**

Using LUT-MLC with MRF2-8S-DV-XX

- Install MRF2-8S-DV-XX first without LUT-MLC to see if required. Check for problems with load.
- Problems can occur when low-wattage loads are used (< 40 W).
- Watch for flickering loads when dimmer is in electronic OFF state.
- If required, LUT-MLC can be installed between switched hot and neutral in wallbox if neutral is present, or in any fixture on the switched circuit.

### Multi-Location Switch Installation with LUT-MLC<sup>1,2,3</sup> MRF2-8S-DV with MA-AS/MA-AS-277 or MSC-AS/MS-AS-277<sup>4</sup>

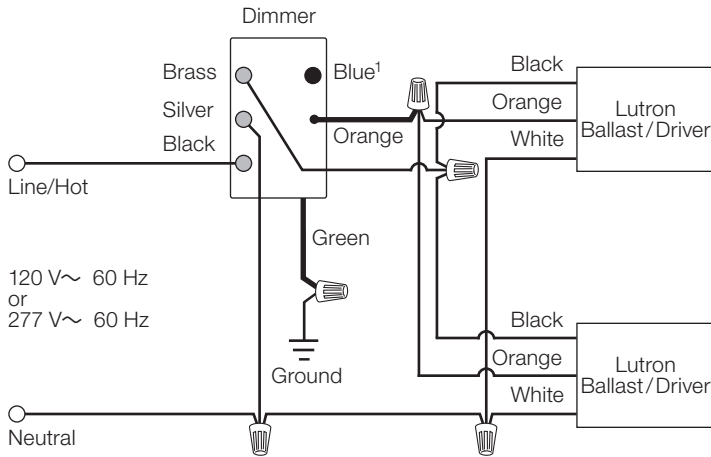


<sup>1</sup> A LUT-MLC ensures proper function when low-wattage fluorescent, CFL, or LED loads are used. Install the LUT-MLC inside a load fixture or in a separate J-box within the circuit.  
<sup>2</sup> When using controls in single location installations, tighten the blue terminal without any wires attached. Do not connect the blue terminal to any other wiring or to ground.  
<sup>3</sup> Up to nine Maestro Companion Switches may be connected to the Maestro Wireless Switch. Total blue terminal wire length may be up to 250 ft (76 m).  
<sup>4</sup> Requires MA-AS/MS-AS for 120 V~ applications, and MA-AS-277/MS-AS-277 for 277 V~ applications.

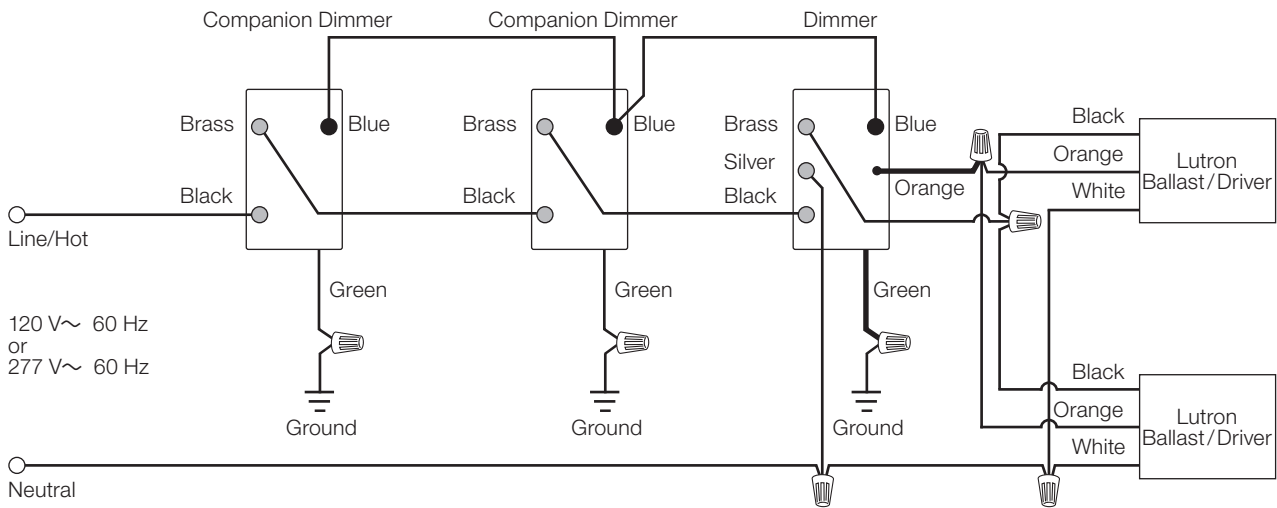
<b>Job Name:</b>	<b>Model Numbers:</b>
<b>Job Number:</b>	

### Wiring Diagrams (continued)

#### Single Location Fluorescent Dimmer Installation with Neutral MRF2-F6AN-DV



#### Multi-Location Fluorescent Dimmer Installation with Neutral<sup>2,3</sup> MRF2-F6AN-DV with MA-R/MA-R-277 or MSC-AD/MS-C-AD-277<sup>4</sup>

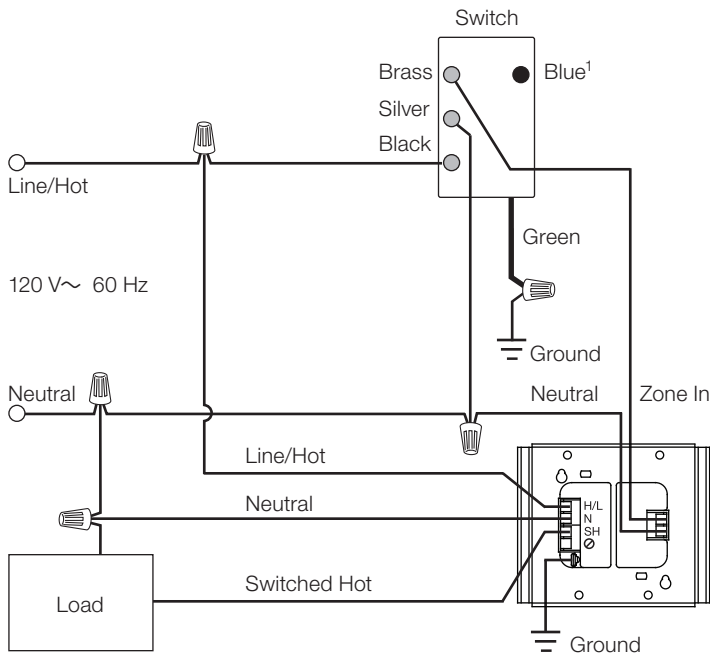


- <sup>1</sup> When using controls in single location installations, tighten the blue terminal. Do not connect the blue terminal to any other wiring or to ground.
- <sup>2</sup> Up to nine Maestro Companion Dimmers may be connected to the Maestro Wireless Dimmer. Total blue terminal wire length may be up to 250 ft (76 m).
- <sup>3</sup> Neutral-wire Dimmers must be connected on the Load side of a multi-location installation.
- <sup>4</sup> Requires MA-R/MS-C-AD for 120 V~ applications, and MA-R-277/MS-C-AD-277 for 277 V~ applications.

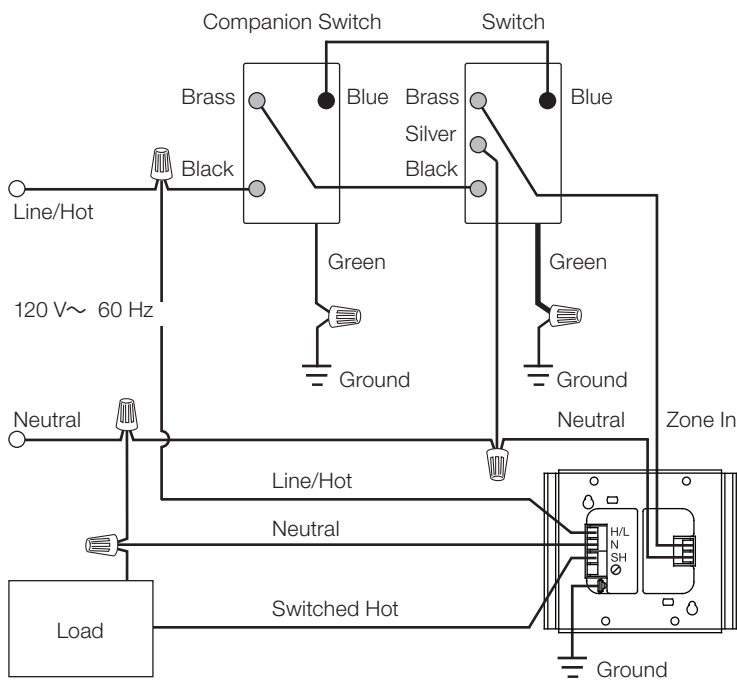
<b>Job Name:</b>	<b>Model Numbers:</b>
<b>Job Number:</b>	

### Wiring Diagrams (continued)

#### Single Location Switch Installation with Power Booster Single Feed MRF2-6ANS, -8ANS-120 with PHPM-SW-DV-WH



#### Multi-Location Switch Installation with Power Booster Single Feed<sup>2,3</sup> MRF2-6ANS, -8ANS-120 with MA-AS/MSC-AS and PHPM-SW-DV-WH

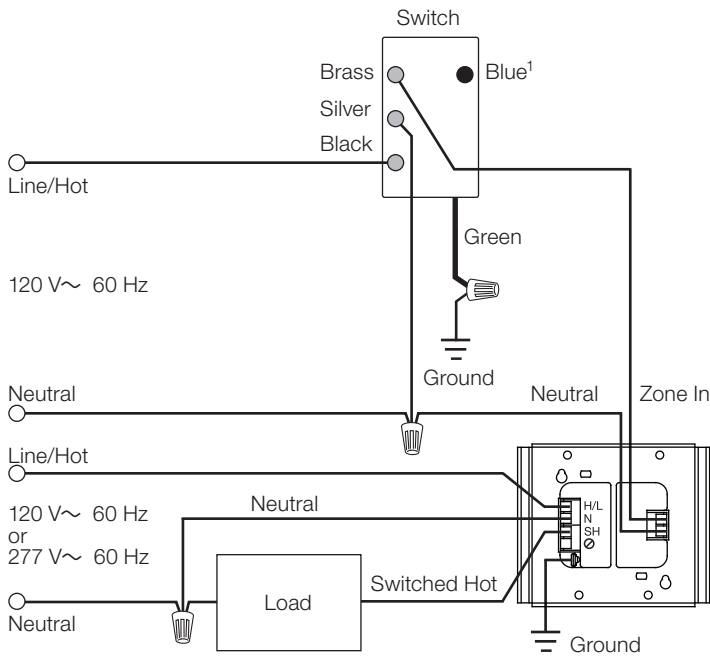


- <sup>1</sup> When using controls in single location installations, tighten the blue terminal. Do not connect the blue terminal to any other wiring or to ground.
- <sup>2</sup> Up to nine Maestro Companion Switches may be connected to the Maestro Wireless Switch. Total blue terminal wire length may be up to 250 ft (76 m).
- <sup>3</sup> Neutral-wire Switches must be connected on the Load side of a multi-location installation.

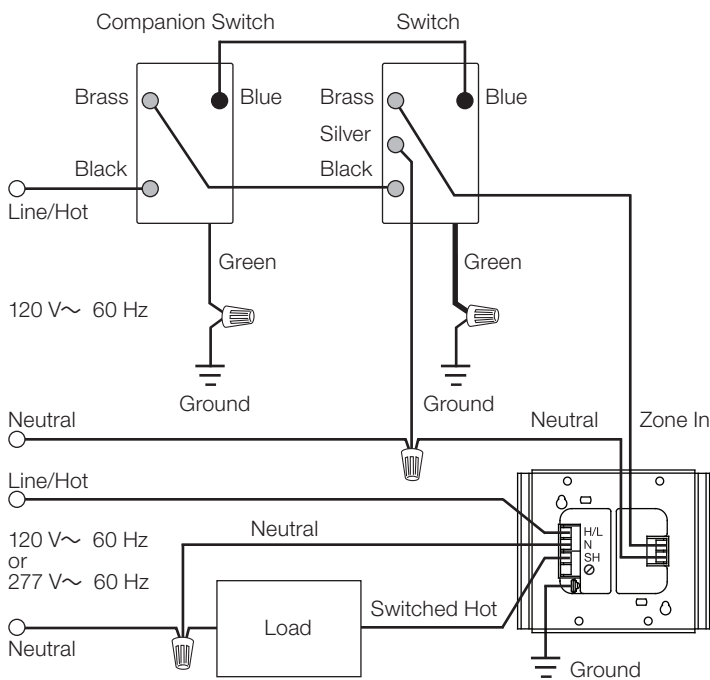
<b>Job Name:</b>  <b>Job Number:</b>	<b>Model Numbers:</b>
--------------------------------------------	-----------------------

### Wiring Diagrams (continued)

#### Single Location Switch Installation with Power Booster Dual Feed MRF2-6ANS, -8ANS-120 with PHPM-SW-DV-WH



#### Multi-Location Switch Installation with Power Booster Dual Feed<sup>1,2</sup> MRF2-6ANS, -8ANS-120 with MA-AS/MS-AS and PHPM-SW-DV-WH



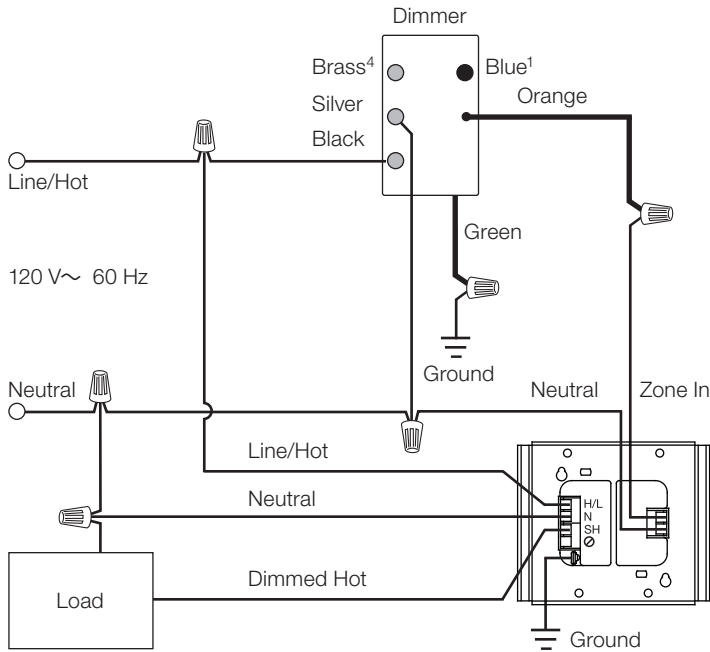
- <sup>1</sup> When using controls in single location installations, tighten the blue terminal. Do not connect the blue terminal to any other wiring or to ground.
- <sup>2</sup> Up to nine Maestro Companion Switches may be connected to the Maestro Wireless Switch. Total blue terminal wire length may be up to 250 ft (76 m).
- <sup>3</sup> Neutral-wire Switches must be connected on the Load side of a multi-location installation.

<b>Job Name:</b>	<b>Model Numbers:</b>
<b>Job Number:</b>	

### Wiring Diagrams (continued)

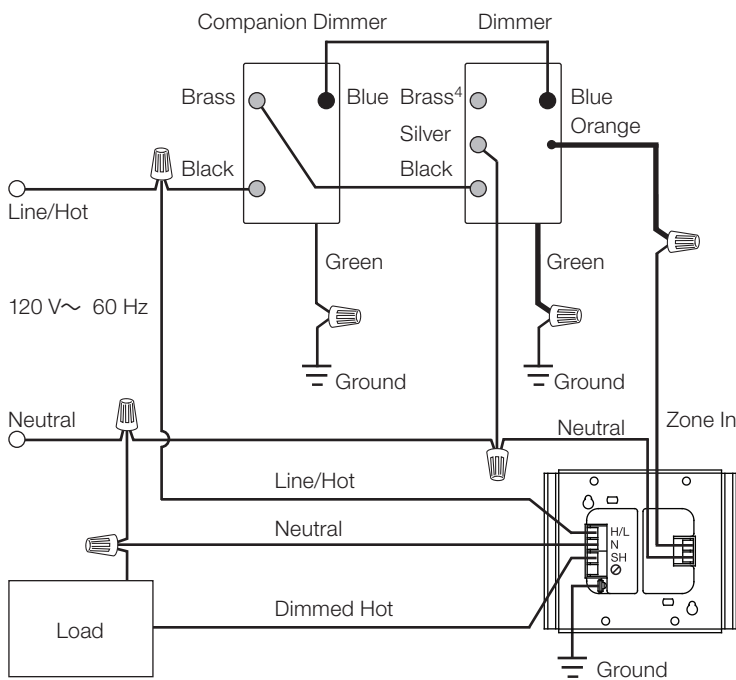
#### Single Location Fluorescent Dimmer Installation with Power Booster Single Feed

MRF2-F6AN-DV with PHPM-3F-DV-WH, PHPM-PA-DV-WH, or PHPM-WBX-DV-WH



#### Multi-Location Fluorescent Dimmer Installation with Power Booster Dual Feed<sup>2,3</sup>

MRF2-F6AN-DV with MA-R/MSC-AD and PHPM-3F-DV-WH, PHPM-PA-DV-WH, or PHPM-WBX-DV-WH



- 1 When using controls in single location installations, tighten the blue terminal. Do not connect the blue terminal to any other wiring or to ground.
- 2 Up to nine Maestro Companion Dimmers may be connected to the Maestro Wireless Dimmer. Total blue terminal wire length may be up to 250 ft (76 m).
- 3 Neutral-wire Dimmers must be connected on the Load side of a multi-location installation.
- 4 When using a PHPM, tighten the brass (switched hot) terminal of the MRF2-F6AN-DV. Do not connect the brass terminal to any other wiring or to ground.

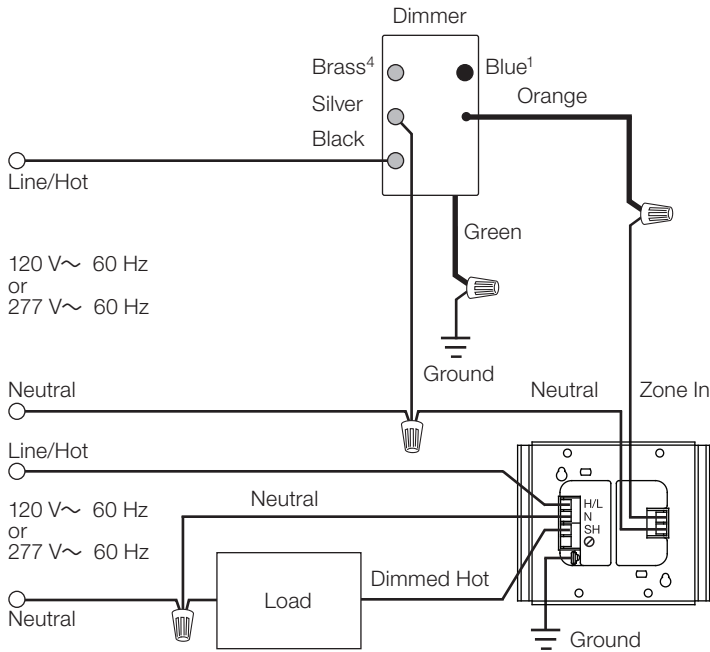
<b>Job Name:</b>	<b>Model Numbers:</b>
<b>Job Number:</b>	



### Wiring Diagrams (continued)

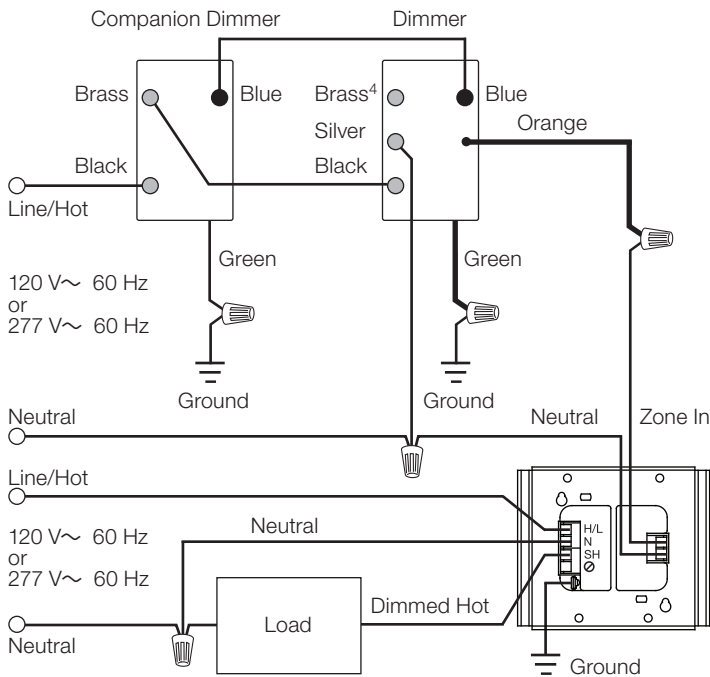
#### Single Location Fluorescent Dimmer Installation with Power Booster Dual Feed

MRF2-F6AN-DV with PHPM-3F-DV-WH, PHPM-PA-DV-WH, or PHPM-WBX-DV-WH



#### Multi-Location Fluorescent Dimmer Installation with Power Booster Dual Feed<sup>2,3</sup>

MRF2-F6AN-DV with MA-R/MS-C-AD and PHPM-3F-DV-WH, PHPM-PA-DV-WH, or PHPM-WBX-DV-WH

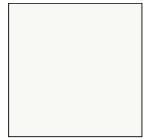


- 1 When using controls in single location installations, tighten the blue terminal. Do not connect the blue terminal to any other wiring or to ground.
- 2 Up to nine Maestro Companion Dimmers may be connected to the Maestro Wireless Dimmer. Total blue terminal wire length may be up to 250 ft (76 m).
- 3 Neutral-wire Dimmers must be connected on the Load side of a multi-location installation.
- 4 When using a PHPM, tighten the brass (switched hot) terminal of the MRF2-F6AN-DV. Do not connect the brass terminal to any other wiring or to ground.

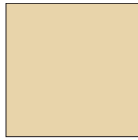
<b>Job Name:</b>	<b>Model Numbers:</b>
<b>Job Number:</b>	

### Colors and Finishes

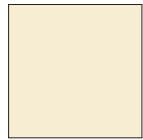
#### Gloss Finishes



White  
WH



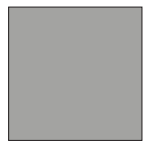
Ivory  
IV



Almond  
AL



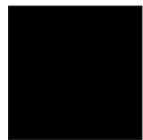
Light Almond  
LA



Gray  
GR



Brown  
BR



Black  
BL

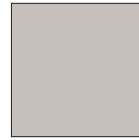
#### Satin Finishes



Snow  
SW



Midnight  
MN



Taupe  
TP



Biscuit  
BI



Eggshell  
ES



Palladium  
PD



Hot  
HT



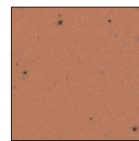
Merlot  
MR



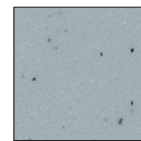
Plum  
PL



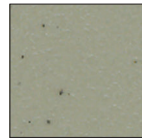
Sienna  
SI



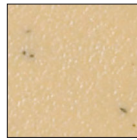
Terracotta  
TC



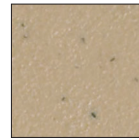
Bluestone  
BG



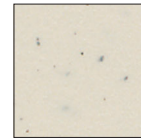
Greenbriar  
GB



Goldstone  
GS



Mocha Stone  
MS



Stone  
ST



Desert Stone  
DS



Limestone  
LS

For the latest color offerings please see our website: <http://www.lutron.com/satincolors>

- Due to printing limitations, colors and finishes shown cannot be guaranteed to perfectly match actual product colors.
- Color chip keychains are available for more precise color matching:  
Gloss Finishes: DG-CK-1  
Satin Finishes: SC-CK-1

#### Metal Finish (wallplate only)



Stainless Steel  
SS

When using Stainless Steel wallplates, it is recommended that you order the dimmer/switch in Midnight (MN).

The Lutron logo, Lutron, Claro, Clear Connect, Eco-10, EcoSystem, FASS, Hi-lume, Hi-lume Compact SE, Hi-Power 2•4•6, Maestro, Maestro Wireless, Pico, Radio Powr Savr, Satin Colors, Tu-Wire, and the design of the Pico remote are trademarks or registered trademarks of Lutron Electronics Co., Inc. in the US and/or other countries.

All other product names, logos, and brands are property of their respective owners.

<b>Job Name:</b>	<b>Model Numbers:</b>
<b>Job Number:</b>	