

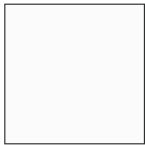
## Glass Faceplates

Glass faceplates allow you to coordinate, accent, and blend your lighting controls with your décor, and experience a new way of expressing style and taste.

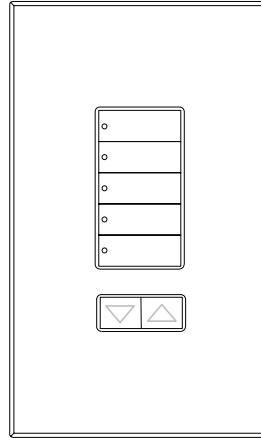
### Features

- Glass faceplates feature square corners and beveled edges.
- Can be used in conjunction with HomeWorks® QS architectural seeTouch® keypads or GRAFIK Eye® QS seeTouch® architectural keypads.
- Compatible with all Lutron® designer opening products including keypads, dimmers and accessories.
- Can be used with Pico® Wireless Controllers.
- Wallplates are screwless, seamless and have no visible hardware; the front plate securely snaps onto the alignment adapter plate.

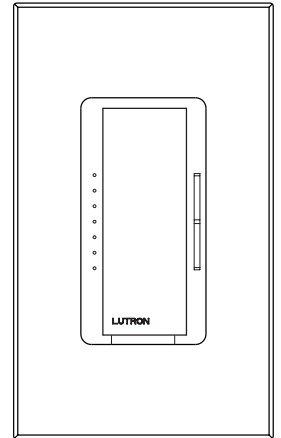
### Colors Available:



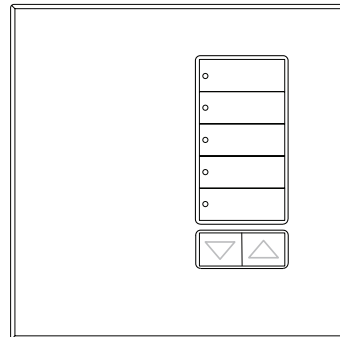
CWH  
Clear Glass with  
White Paint



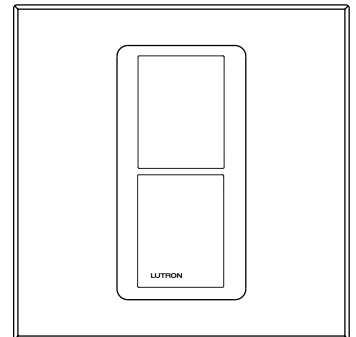
**seeTouch® Glass Faceplate**  
Architectural Non-Insert Style



**Designer Glass Faceplate**  
Architectural Style



**seeTouch® Glass Faceplate**  
Architectural International  
Frameless Style



**Pico® Glass Faceplate**

**Note:** Products shown on this page are for faceplates only. Devices are sold separately.

Job Name:	Model Numbers:
Job Number:	

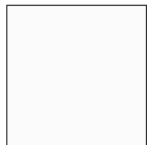
**Model Numbers: seeTouch® Glass Faceplate**

Architectural Non-Insert Style

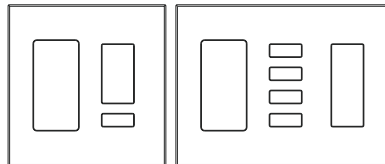
LFGR-W1BN-XXX*	1 Button		LFGR-W1BN
LFGR-W2BN-XXX*	2 Button		LFGR-W2BN
LFGR-W2BSN-XXX*	2 Button		LFGR-W2BSN
LFGR-W3BN-XXX*	3 Button		LFGR-W3BN
LFGR-W3BSN-XXX*	3 Button		LFGR-W3BSN
LFGR-W4BSN-XXX*	4 Button		LFGR-W4BSN
LFGR-W5BN-XXX*	5 Button		LFGR-W5BN
LFGR-W5BTN-XXX*	5 Button		LFGR-W5BTN
LFGR-W6BN-XXX*	6 Button		LFGR-W6BN
LFGR-W7BN-XXX*	7 Button		LFGR-W7BN
LFGR-W2BRLN-XXX*	2 Button with Raise/Lower		LFGR-W2BRLN
LFGR-W3BRLN-XXX*	3 Button with Raise/Lower		LFGR-W3BRLN
LFGR-W3BSRLN-XXX*	3 Button with Raise/Lower		LFGR-W3BSRLN
LFGR-W5BRLN-XXX*	5 Button with Raise/Lower		LFGR-W5BRLN
LFGR-W6BRLN-XXX*	6 Button with Raise/Lower		LFGR-W6BRLN
LFGR-W3SN-XXX*	3 Scene with Raise/Lower		LFGR-W3SN
LFGR-W4SN-XXX*	4 Scene with Raise/Lower		LFGR-W4SN
LFGR-W1RLDN-XXX*	Dual Group with Raise/Lower		LFGR-W1RLDN
LFGR-W2RLDN-XXX*	Dual Group with Dual Raise/Lower		LFGR-W2RLDN
LFGR-W3BDN-XXX*	Dual Group		LFGR-W3BDN

\* "XXX" in the model number represents color/finish code. See Colors Available below.

**Colors Available:**



CWH  
Clear Glass with  
White Paint



For multi-gang faceplates contact:  
Lutron® Customer Service  
1.888.LUTRON1 / +1.610.282.3800  
custsvc@lutron.com

Note: Products shown on this page are for faceplates only. Devices are sold separately.

<b>Job Name:</b>	<b>Model Numbers:</b>
<b>Job Number:</b>	

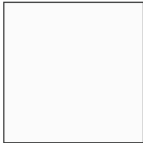
**Model Numbers: seeTouch® Glass Faceplate**

Architectural International Frameless Style

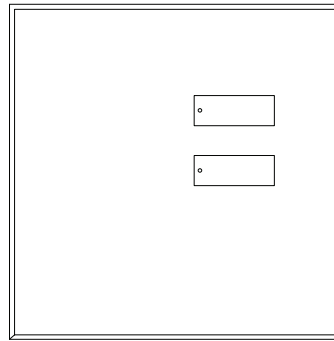
LFGI-2B-F-XXX*	2 Button
LFGI-3B-F-XXX*	3 Button
LFGI-4B-F-XXX*	4 Button
LFGI-5BRL-F-XXX*	5 Button with Raise/Lower
LFGI-6BRL-F-XXX*	6 Button with Raise/Lower
LFGI-7BRL-F-XXX*	7 Button with Raise/Lower
LFGI-8BRL-F-XXX*	8 Button with Raise/Lower
LFGI-10BRL-F-XXX*	10 Button with Raise/Lower

\* "XXX" in the model number represents color/finish code. See **Colors Available** below.

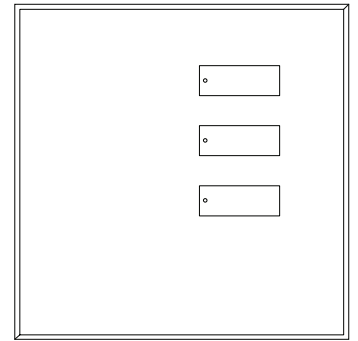
**Colors Available:**



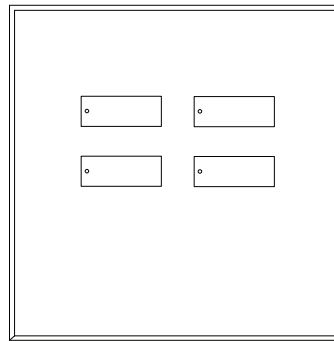
CWH  
Clear Glass with  
White Paint



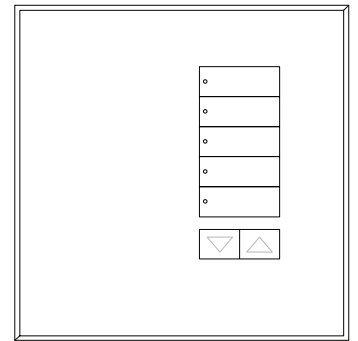
LFGI-2B-F



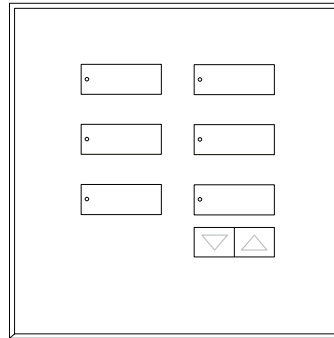
LFGI-3B-F



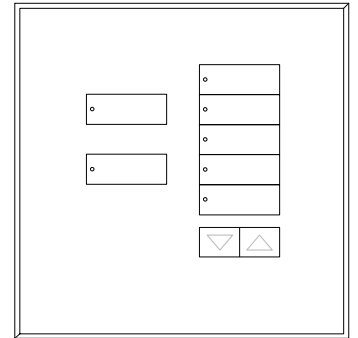
LFGI-4B-F



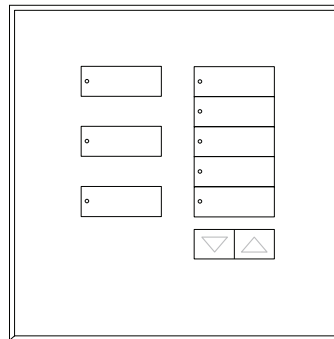
LFGI-5BRL-F



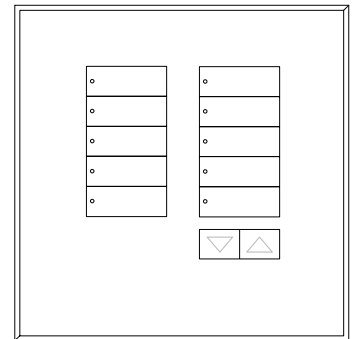
LFGI-6BRL-F



LFGI-7BRL-F



LFGI-8BRL-F



LFGI-10BRL-F

**Note:** Products shown on this page are for faceplates only. Devices are sold separately.

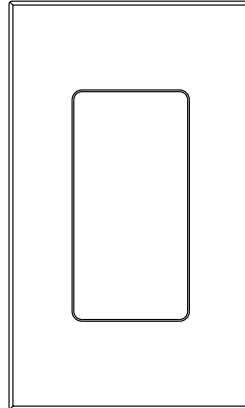
<b>Job Name:</b>	<b>Model Numbers:</b>
<b>Job Number:</b>	

### Model Numbers: Designer Glass Faceplate

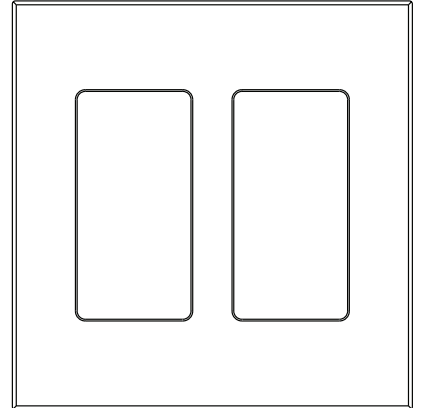
Architectural Style

LFGR-1-XXX*	1 Gang
LFGR-2-XXX*	2 Gang
LFGR-3-XXX*	3 Gang

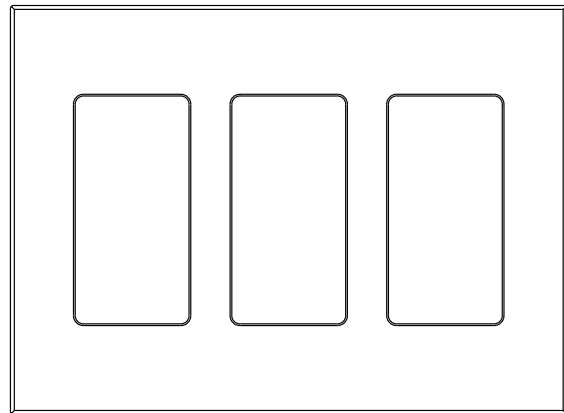
\* "XXX" in the model number represents color/finish code. See **Colors Available** below.



LFGR-1-XXX



LFGR-2-XXX



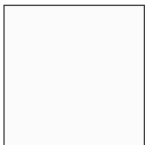
LFGR-3-XXX

### Model Numbers: Pico® Glass Faceplate

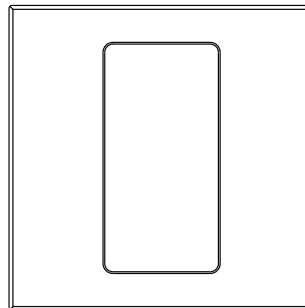
LFGP-S1-XXX*	1-Column
LFGP-S2-XXX*	2-Column

\* "XXX" in the model number represents color/finish code. See **Colors Available** below.

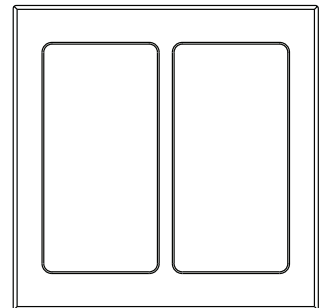
**Colors Available:**



CWH  
Clear Glass with  
White Paint



LFGP-S1-XXX



LFGP-S2-XXX

<b>Job Name:</b>	<b>Model Numbers:</b>
<b>Job Number:</b>	

## Specifications

### Regulatory Approvals

- LFGR- products are UL® Listed to US and Canadian safety requirements UL 514D/CSA C22.2 42.1-00
- LFGI- and LFGP- meet IEC requirements and are CE marked
- LFGP- products are cULus listed

### Environment

- Ambient operating temperature: 32 °F to 104 °F (0 °C to 40 °C)
- Maximum 90% non-condensing relative humidity
- Indoor use only

### Product-Specific Features

- Faceplates have no visible means of attachment
- Heat strengthened glass
- Lamination layer will contain the glass in the event of a break

### Warranty

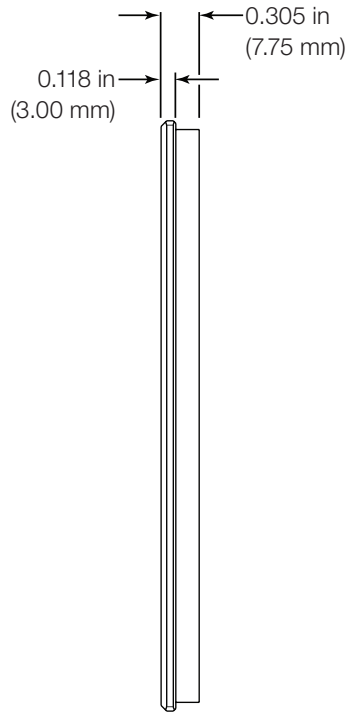
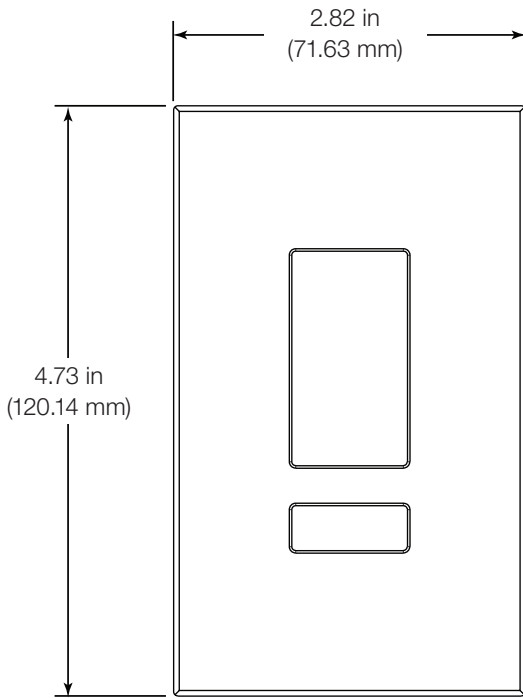
- 1 Year Limited Warranty. For additional Warranty information, please visit:  
[http://www.lutron.com/TechnicalDocumentLibrary/369-119\\_Wallbox\\_Warranty.pdf](http://www.lutron.com/TechnicalDocumentLibrary/369-119_Wallbox_Warranty.pdf)

<b>Job Name:</b>	<b>Model Numbers:</b>
<b>Job Number:</b>	

### Dimensions

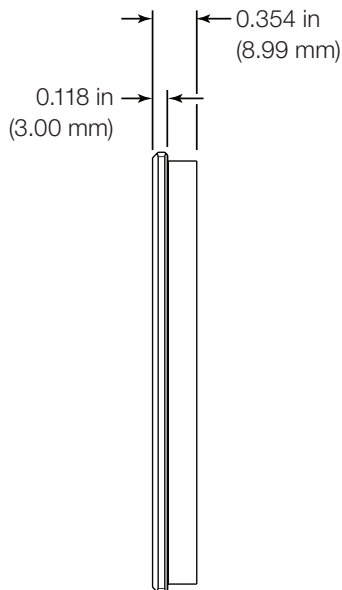
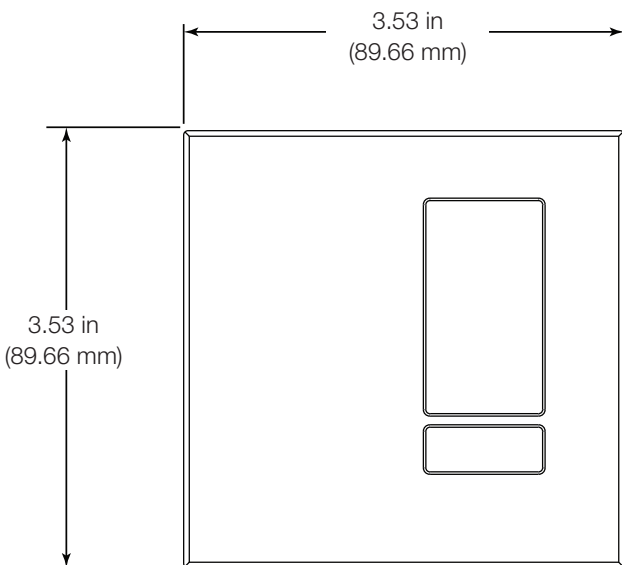
#### seeTouch® Glass Faceplate

Architectural Non-Insert Style



#### seeTouch® Glass Faceplate

Architectural International Frameless Style

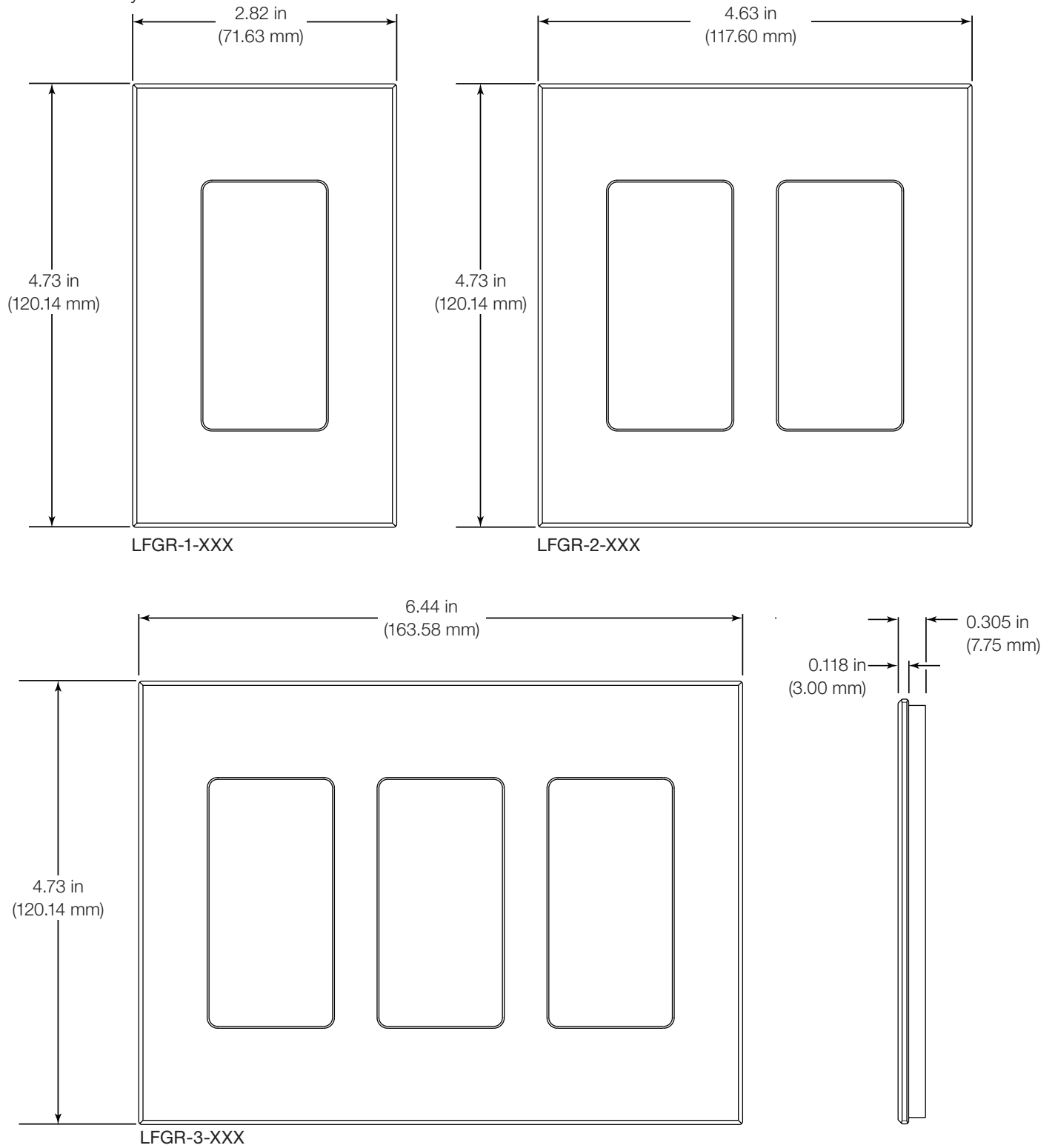


<b>Job Name:</b>	<b>Model Numbers:</b>
<b>Job Number:</b>	

### Dimensions

#### Designer Glass Faceplate

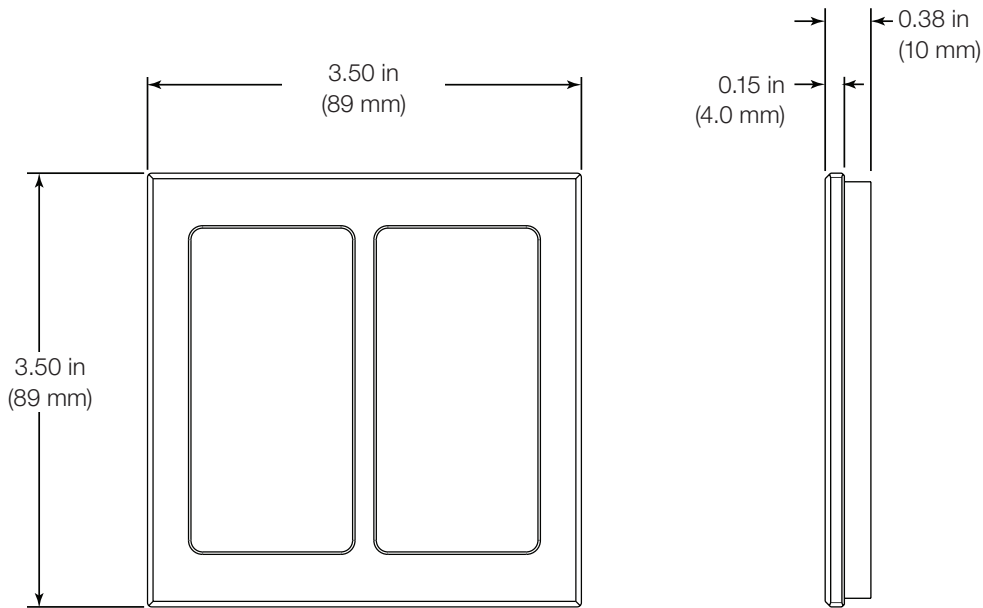
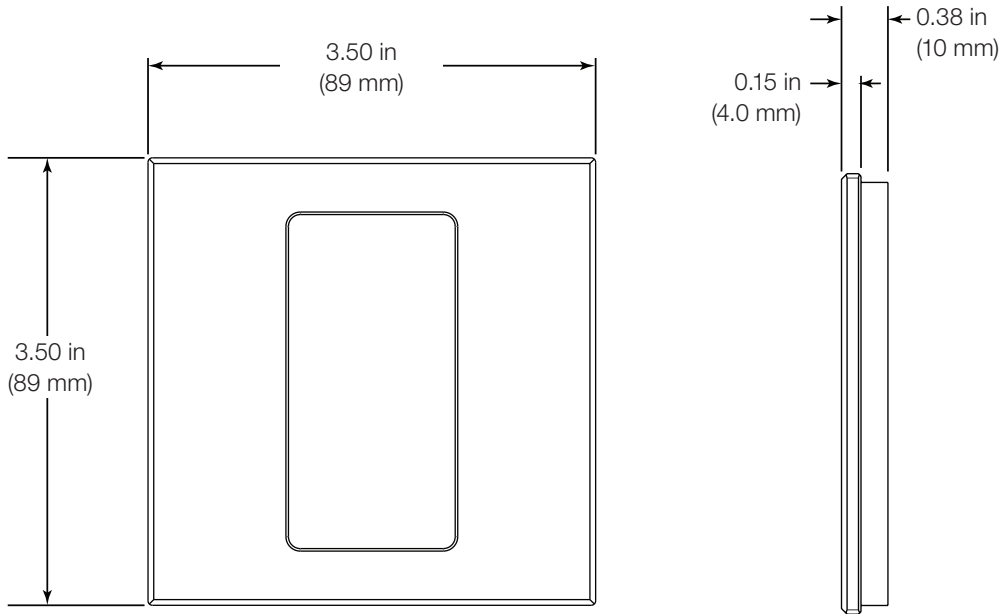
Architectural Style



<b>Job Name:</b>	<b>Model Numbers:</b>
<b>Job Number:</b>	

### Dimensions

#### Pico® Glass Faceplate

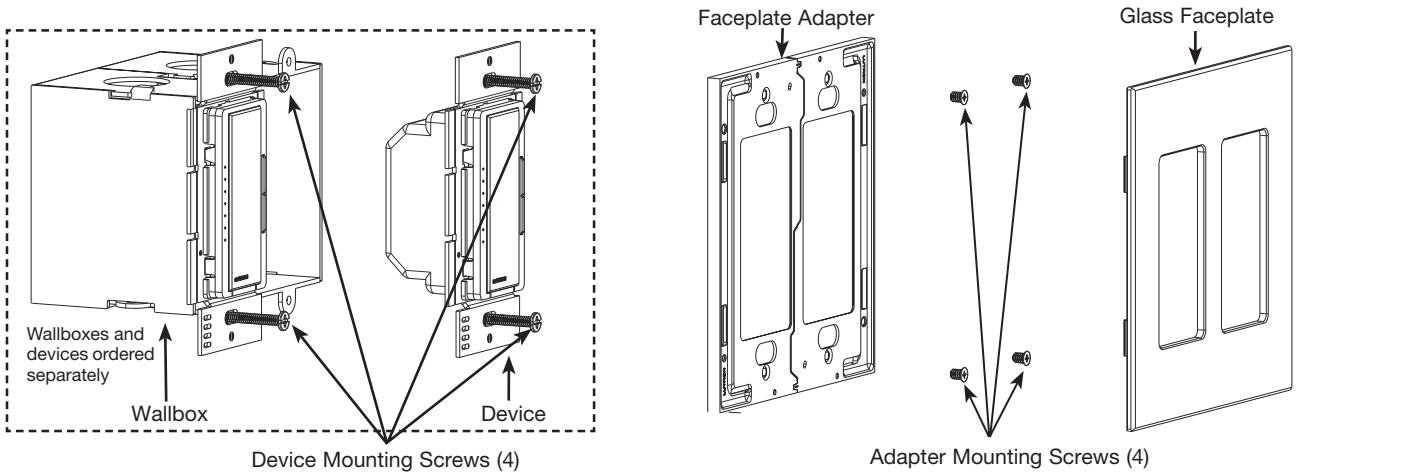


Job Name:	Model Numbers:
Job Number:	

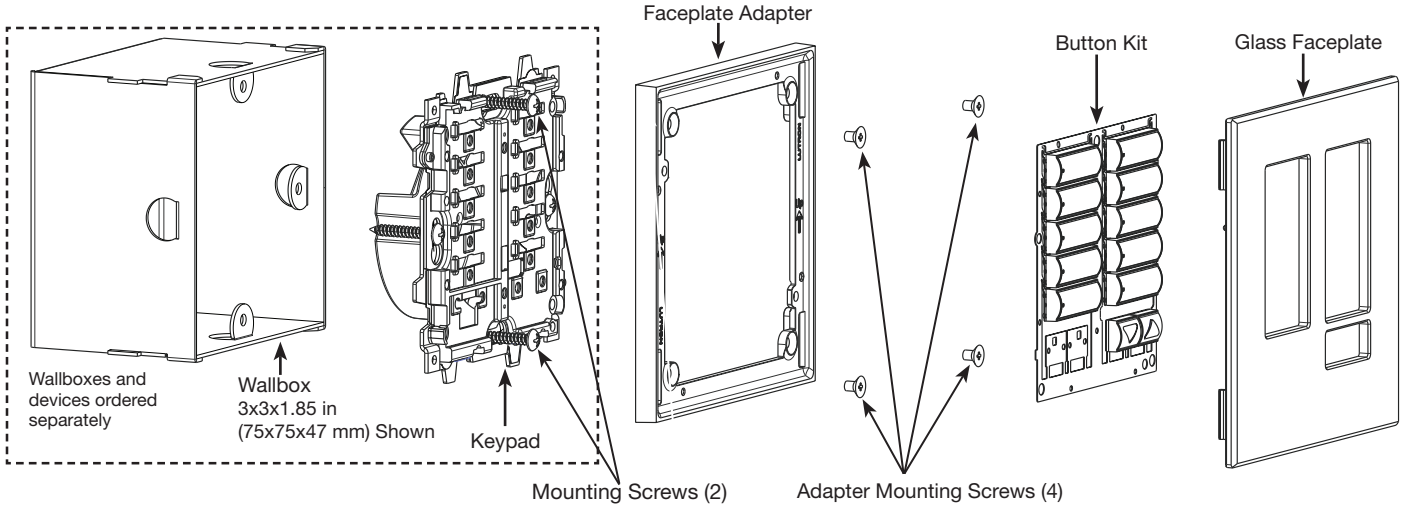


**Mounting**

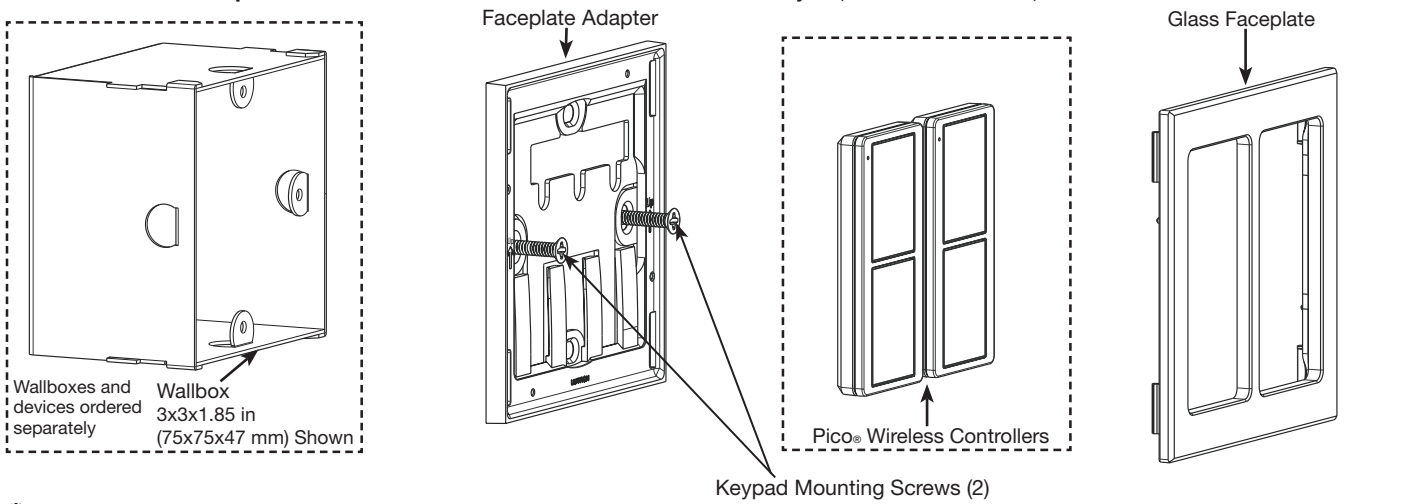
**Designer Glass Faceplate: Architectural Style (LFGR-2 shown)**



**seeTouch® Glass Faceplate: Architectural International Frameless Style (LFGI-10BRL-F shown)**



**Pico® Glass Faceplate: Architectural International Frameless Style (LFGP-S2 shown)**



Job Name:	Model Numbers:
Job Number:	