

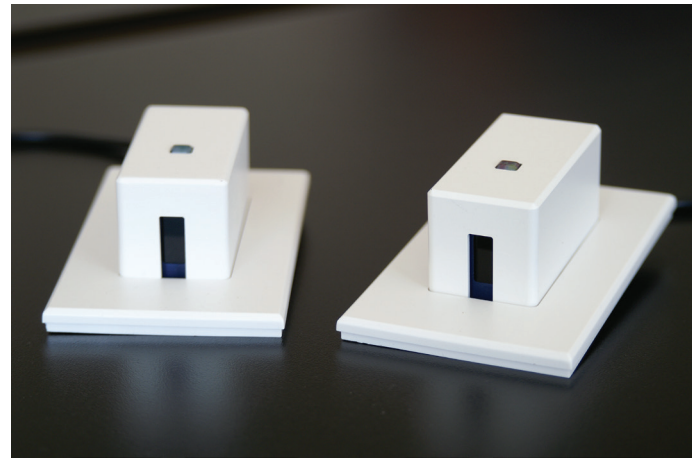
## GRX-IRPS-WH Partition Sensor

### Description

The GRX-IRPS Partition Sensor uses an infrared transmitter/receiver pair to detect partition movement and, in conjunction with other Lutron products, coordinates lighting preset functions in areas such as partitioned meeting rooms or ballrooms. The GRX-IRPS may be used with Athena, Quantum, Energi Savr Node, GRAFIK Eye QS, GRAFIK 3000, and GRAFIK 4000 systems.

### Features

- Automatically combines lighting preset functions when partition is open creating one large space.
- Lighting preset functions become independent as partition is closed creating several smaller spaces.
- For operation with Quantum and Athena systems, the GRX-IRPS requires either an interface (QSE-IO) or wallstation with contact closure input (QSW2-, QSWA-, or similar) and a power supply (GRX-12VDC or PP-DV).
- For operation with GRAFIK Eye QS or Energi Savr Node systems, the GRX-IRPS requires an interface (QSE-IO) and a power supply (GRX-12VDC or PP-DV).
- For operation with GRAFIK Eye 3000/4000 system, the GRX-IRPS requires an interface (GRX-IO) and a power supply (GRX-12VDC or PP-DV).



**LUTRON** SPECIFICATION SUBMITTAL

<p><b>Job Name:</b></p>	<p><b>Model Numbers:</b></p>
<p><b>Job Number:</b></p>	

## Specifications

### Power

- Operating voltage: Low-voltage PELV (Class 2: USA) 12–24 V<sub>DC</sub>, 135 mA.
  - Lutron recommends using a GRX-12VDC plug-in power supply or a PP-DV power supply (both ordered separately).
    - One GRX-12VDC can supply power to eleven sensor transmitter/receiver pairs.
    - One PP-DV can supply power to one sensor transmitter/receiver pair.
- Transmitter and receiver have reverse polarity and short-circuit protection.

### Sensor Status Indicator

- Receiver and transmitter includes an LED indicator that assists in sensor alignment during installation and provides sensor operating status.
  - Transmitter LED will be green when properly powered and transmitting
  - Receiver LED will be orange when receiving beam and not illuminate when blocked.

### System Capacity

- Each GRX-IO or QSE-IO Interface (prefix QSWS2-, QSWA-, or similar; ordered separately) can accommodate up to five GRX-IRPS partition sensors for five different moveable walls.
- Each seeTouch wallstation (ordered separately) can accommodate one GRX-IRPS partition sensors for one moveable wall.
- Contact closure output from GRX-IRPS is configurable to normally open or normally closed from receiver unit.

### Connection

- Wire leads provided.

### Finish

- White painted plastic.

### Environment

- 32 °F–104 °F (0 °C–40 °C). Relative humidity less than 90% non condensing.

### Mounting

- Surface mount indoors only.

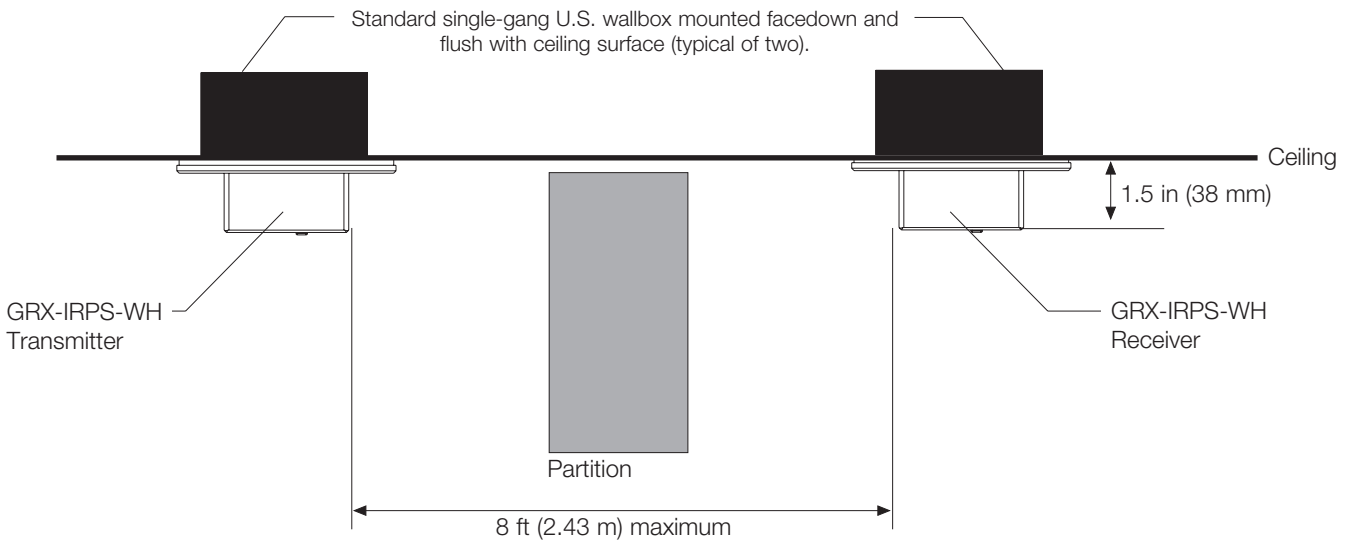
## LUTRON SPECIFICATION SUBMITTAL

<b>Job Name:</b>	<b>Model Numbers:</b>
<b>Job Number:</b>	

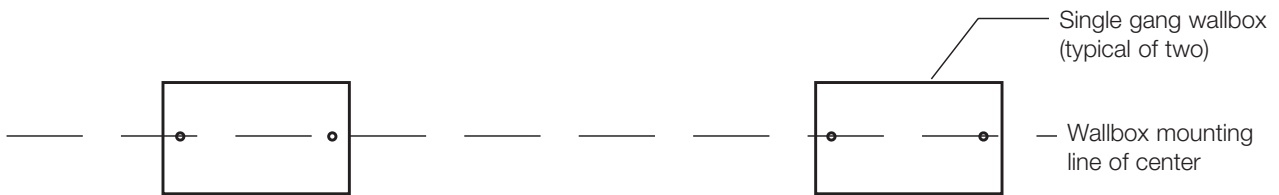
### Dimensions and Mounting

- Receiver and transmitter surface mount in 1-gang U.S. wallboxes 3.5 in (89 mm) deep, mounted facedown from the ceiling. Indoor use only.
- The sensors must be mounted in a position where the partition separates the transmitter and receiver when the partition is closed.
- Transmitter and receiver may be located no more than 8 ft (2.43 m) apart.
- Adjustable mounting brackets allow easy alignment during installation.
- Wires feed through the back of the transmitter/receiver.

#### Side View



#### Top View

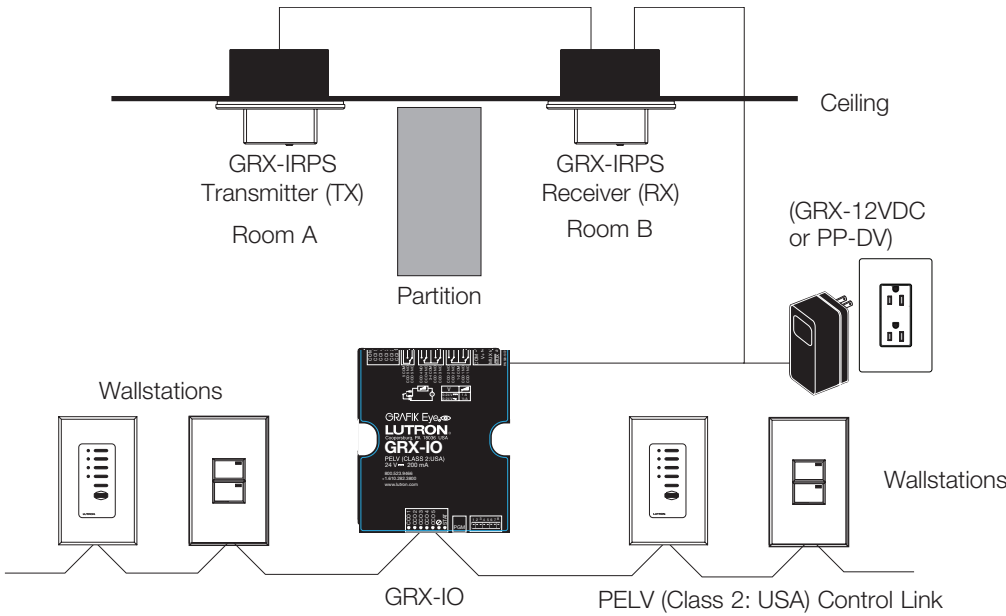


### LUTRON SPECIFICATION SUBMITTAL

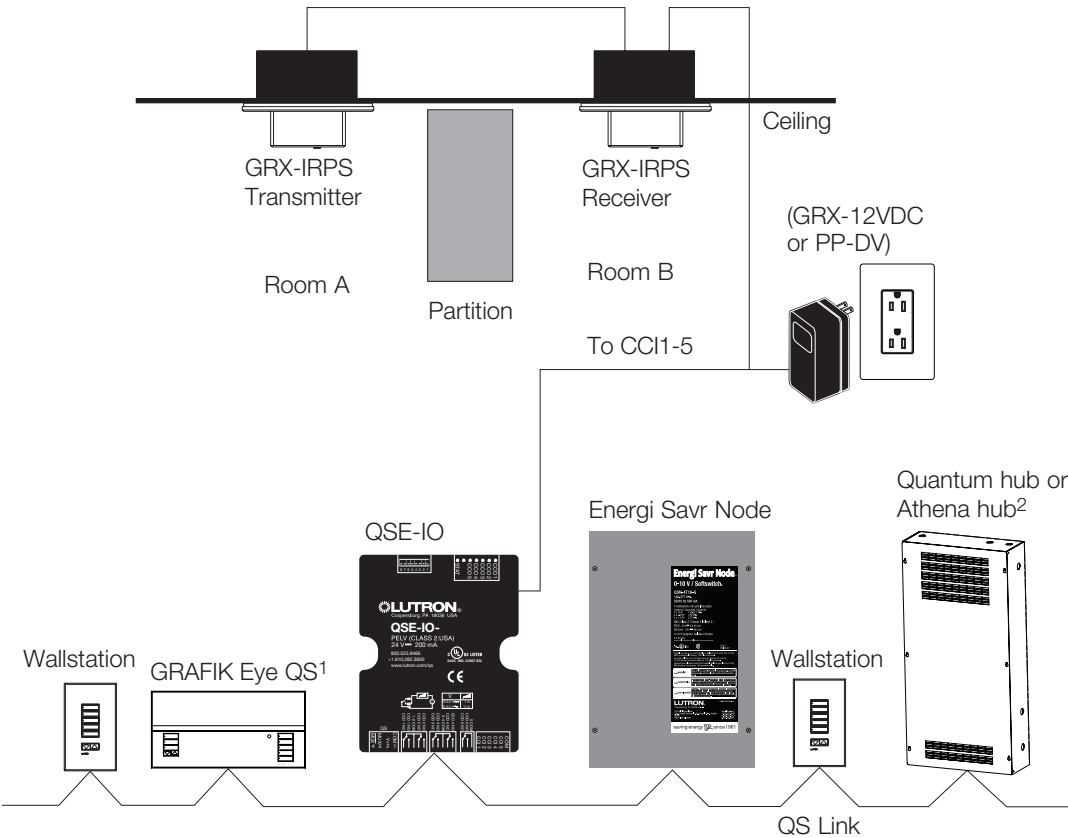
<b>Job Name:</b>	<b>Model Numbers:</b>
<b>Job Number:</b>	

# System Diagrams

## GRAFIK Eye 3000 and 4000 Systems



## Athena, Quantum, Energi Savr Node, and GRAFIK Eye QS Systems



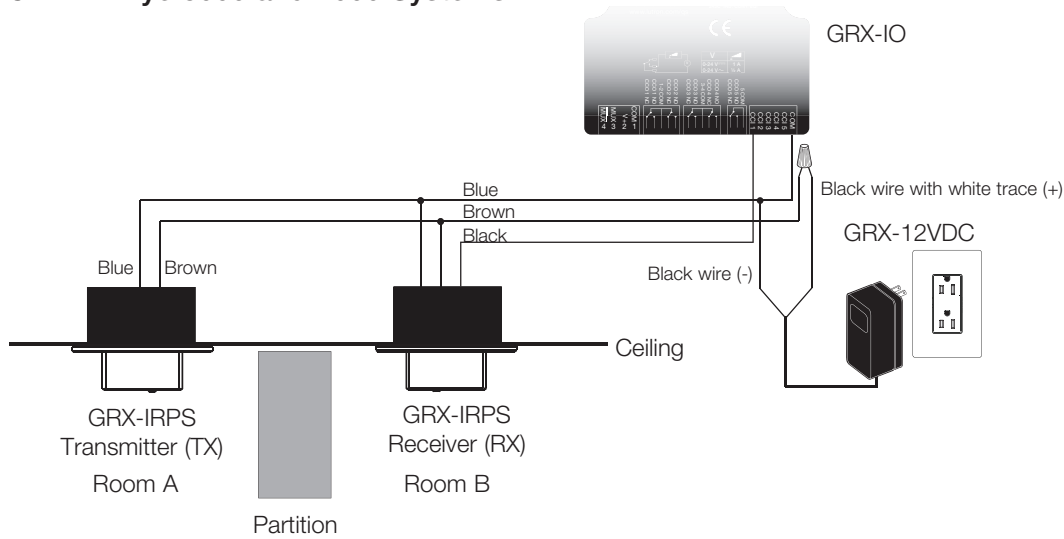
<sup>1</sup> Not compatible with Athena.  
<sup>2</sup> Only required for Quantum or Athena systems. Not required for standalone Energi Savr Node or standalone GRAFIK Eye QS systems.

### LUTRON SPECIFICATION SUBMITTAL

Job Name:	Model Numbers:
Job Number:	

## Wiring Diagrams

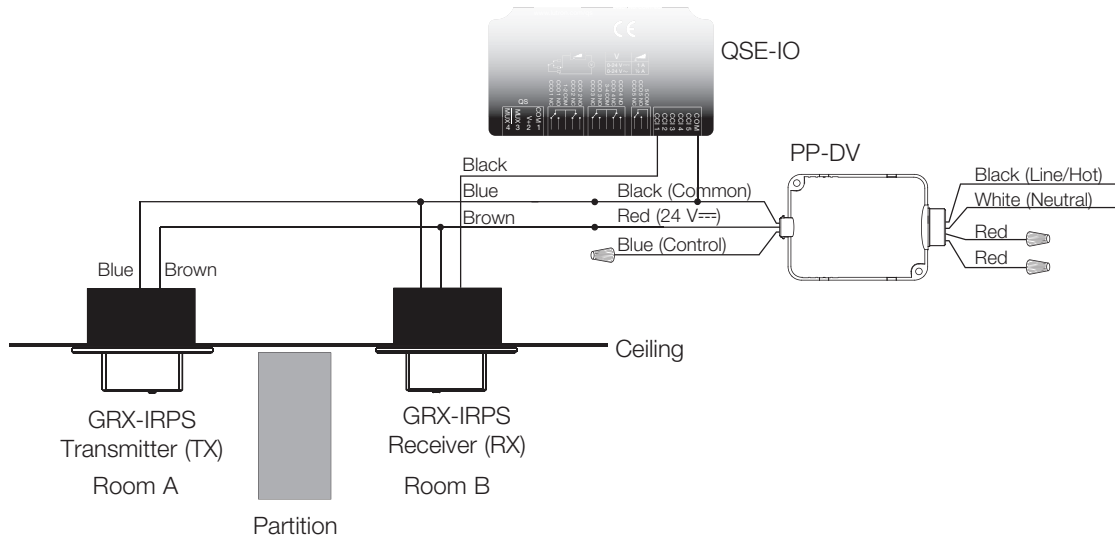
### GRAFIK Eye 3000 and 4000 Systems



**Note:** Diagram represents a single partition. A GRX-IO will accommodate up to five GRX-IRPS partition sensors (five partitions). A single GRX-12VDC will power up to eleven GRX-IRPS partition sensors.

**Note:** The GRX-IO is programmed for partition mode. Set input closures for maintained inputs (refer to the GRX-IO installation instructions).

### Athena, Quantum, Energi Savr Node, and GRAFIK Eye QS Systems



**Note:** Diagram represents a single partition. A QSE-IO will accommodate up to five GRX-IRPS partition sensors (five partitions). A single PP-DV will power one GRX-IRPS partition sensor.

**Note:** The QSE-IO is programmed for partition mode. Set input closures for maintained inputs (refer to the QSE-IO installation instructions).

The Lutron logo, Lutron, Athena, GRAFIK Eye, Energi Savr Node, GRAFIK Systems, Quantum, and seeTouch are trademarks or registered trademarks of Lutron Electronics Co., Inc. in the US and/or other countries.

## LUTRON SPECIFICATION SUBMITTAL

Job Name:	Model Numbers:
Job Number:	