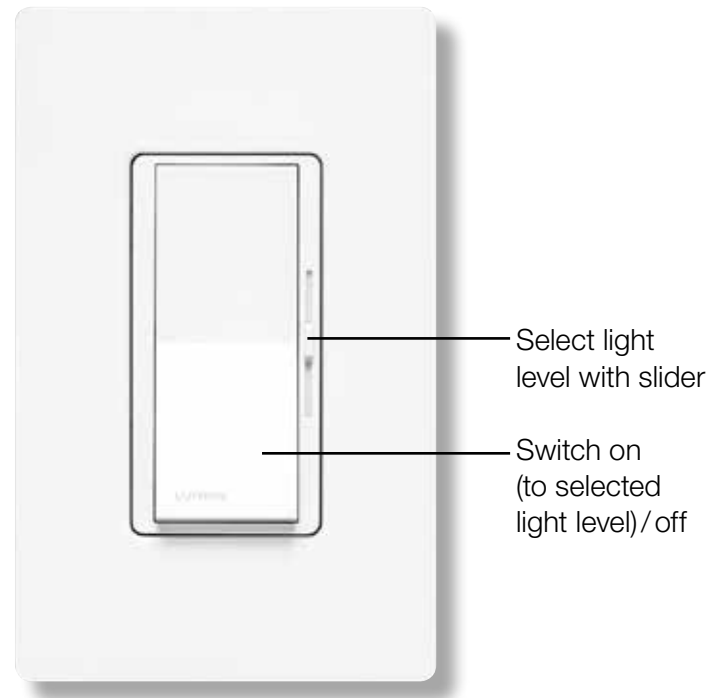


## Diva 0–10 V Controls

Controls for 0–10 V LED drivers and fluorescent ballasts.

### Features

- Large paddle switch with a captive linear-slide control for a standard designer-opening wallplate.
- 0–10 V control link controls third party fixtures.
- DVSTV- wires as single pole or 3-way, 120–277 V~ switch.
- DVTV- wires as a 24 V=== switch. A power pack is required to switch 120–277 V~ and 347 V~.
- Patented switching technology extends product lifetime.
- Coordinating Claro wallplates<sup>1</sup> (available separately).
- High-end and low-end trim user is adjustable for optimal performance.



Diva 0–10 V Control

### Model Numbers

Model Number	Operating Voltage	Wiring	Load Switching Capacity	0–10 V Sink Capacity
DVSTV-XX <sup>2</sup>	120–277 V~	Single-pole/3-way <sup>5</sup>	8 A	50 mA
DVSCSTV-YY <sup>4</sup>				
DVSTV-453PH-WH <sup>1</sup>	120–277 V~	Single-pole/3-way <sup>5</sup>	450 W 3.75 A (120 V~) 1.62 A (277 V~)	50 mA
DVSTV-453PH-WH-C <sup>1,3</sup>				
DVTV-XX <sup>2</sup>	24 V===	Single-pole/3-way <sup>7</sup>	0 A <sup>6</sup>	30 mA
DVSCTV-YY <sup>4</sup>				

<sup>1</sup> DVSTV-453PH-WH and DVSTV-453PH-WH-C available in white gloss only.

<sup>2</sup> “XX” in the model number represents gloss finish color code. See **Colors and Finishes** section.

<sup>3</sup> Clamshell packaged product for Canada.

<sup>4</sup> “YY” in the model number represents satin finish color code. See **Colors and Finishes** section.

<sup>5</sup> For 3-way switching, use Claro switches or other mechanical switches.

<sup>6</sup> A Lutron power pack (PP-DV or PP-347H) is required for switching ballasts and drivers. For Lutron power pack specification, please see Lutron P/N 369544 at [www.lutron.com](http://www.lutron.com)

<sup>7</sup> 24 V=== single-pole double-throw (SPDT) switch, supplied by others, must be rated for dry contacts.

### LUTRON SPECIFICATION SUBMITTAL

Page

<b>Job Name:</b>	<b>Model Numbers:</b>
<b>Job Number:</b>	

## Specifications

### DVSTV- Models

#### Regulatory Approvals

- cULus Listed
- NOM

#### Power

##### Operating Voltage

120–277 V~ 50/60 Hz

##### Output Ratings

- Switch rating of 8 A.
- 0–10 V control link for 50 mA maximum output (sink only).

##### 0–10 V Control Link

- 0–10 V control link is Class 1.
- Controls up to 25 ballasts or drivers (IEC 60929 Annex E.2 requires the ballast/driver to limit the current draw to 2.0 mA maximum).

#### Performance

- Power pack cannot be used with DVSTV- models.
- Works with all ballasts and drivers that provide a current source compliant to IEC 60629 Annex E.2, and whose inrush current does not exceed NEMA410 standards for electronic ballast/driver loads of 8 A steady state current.
- Adjustable high-end and low-end trim for optimal dimming performance.
- Power failure memory: should power be interrupted, the control will return to its previously set level prior to the interruption when power is restored.
- Captive linear slider.
- Precise color matching.

#### Environment

- For indoor use only.
- Ambient operating temperature: 32 °F to 104 °F (0 °C to 40 °C), 0% to 90% humidity, non-condensing.

#### Application Requirements

- No derating required if ganged.
- Night light not available.
- Always consult local wiring codes.

#### Warranty

- [www.lutron.com/TechnicalDocumentLibrary/369-119\\_Wallbox\\_Warranty.pdf](http://www.lutron.com/TechnicalDocumentLibrary/369-119_Wallbox_Warranty.pdf)

<p>Job Name:</p>  <p>Job Number:</p>	<p>Model Numbers:</p>
--	-----------------------

## Specifications *(continued)*

### DVSTV-453PH-WH Model

#### Regulatory Approvals

- cULus Listed
- NOM

#### Power

##### Operating Voltage

120–277 V~ 50/60 Hz

##### Output Ratings

- Switch rating of 450 W.
- 0–10 V control link for 50 mA maximum output (sink only).

##### 0–10 V Control Link

- 0–10 V control link is Class 1.
- Controls up to 25 ballasts or drivers (IEC 60929 Annex E.2 requires the ballast/driver to limit the current draw to 2.0 mA maximum).

#### Performance

- Power pack cannot be used with DVSTV- models.
- Works with all ballasts and drivers that provide a current source compliant to IEC 60629 Annex E.2, and whose inrush current does not exceed NEMA410 standards for electronic ballast/driver loads of 8 A steady state current.
- Adjustable high-end and low-end trim for optimal dimming performance.
- Power failure memory: should power be interrupted, the control will return to its previously set level prior to the interruption when power is restored.
- Captive linear slider.
- Precise color matching.

#### Environment

- For indoor use only.
- Ambient operating temperature: 32 °F to 104 °F (0 °C to 40 °C), 0% to 90% humidity, non-condensing.

#### Application Requirements

- No derating required if ganged.
- Night light not available.
- Always consult local wiring codes.

#### Warranty

- [www.lutron.com/TechnicalDocumentLibrary/369-119\\_Wallbox\\_Warranty.pdf](http://www.lutron.com/TechnicalDocumentLibrary/369-119_Wallbox_Warranty.pdf)

<b>Job Name:</b>	<b>Model Numbers:</b>
<b>Job Number:</b>	

## Specifications *(continued)*

### DVTV- and DVSCTV- Models

#### Power

##### Operating Voltage

24 V<sub>DC</sub> 100 mA

##### Output Ratings

- Power pack required for load switching. Power pack is rated for 16 A.
- 30 mA maximum output (sink only).

##### 0–10 V Control Link

- 0–10 V control is Class 2.
- Controls up to 15 ballasts or drivers (IEC 60929 Annex E.2 requires the ballast/driver to limit the current draw to 2.0 mA maximum).

#### Performance

- For 120–277 V<sub>AC</sub> installations switching more than 8 A, use DVTV- with Lutron power pack (PP-DV). See Lutron P/N 369544 at [www.lutron.com](http://www.lutron.com)
- For 347 V<sub>AC</sub> installations, use DVTV- with Lutron power pack (PP-347H) See Lutron P/N 369544 at [www.lutron.com](http://www.lutron.com)
- Works with all ballasts and drivers that provide a current source compliant to IEC 60629 Annex E.2.
- Adjustable high-end and low-end trim for optimal dimming performance.
- Power failure memory: should power be interrupted, the 0–10 V<sub>DC</sub> signal will return to its previously set level prior to the interruption when power is restored.
- Captive linear slider.
- Precise color matching.

#### Environment

- For indoor use only.
- Ambient operating temperature: 32 °F to 104 °F (0 °C to 40 °C), 0% to 90% humidity, non-condensing.

#### Application Requirements

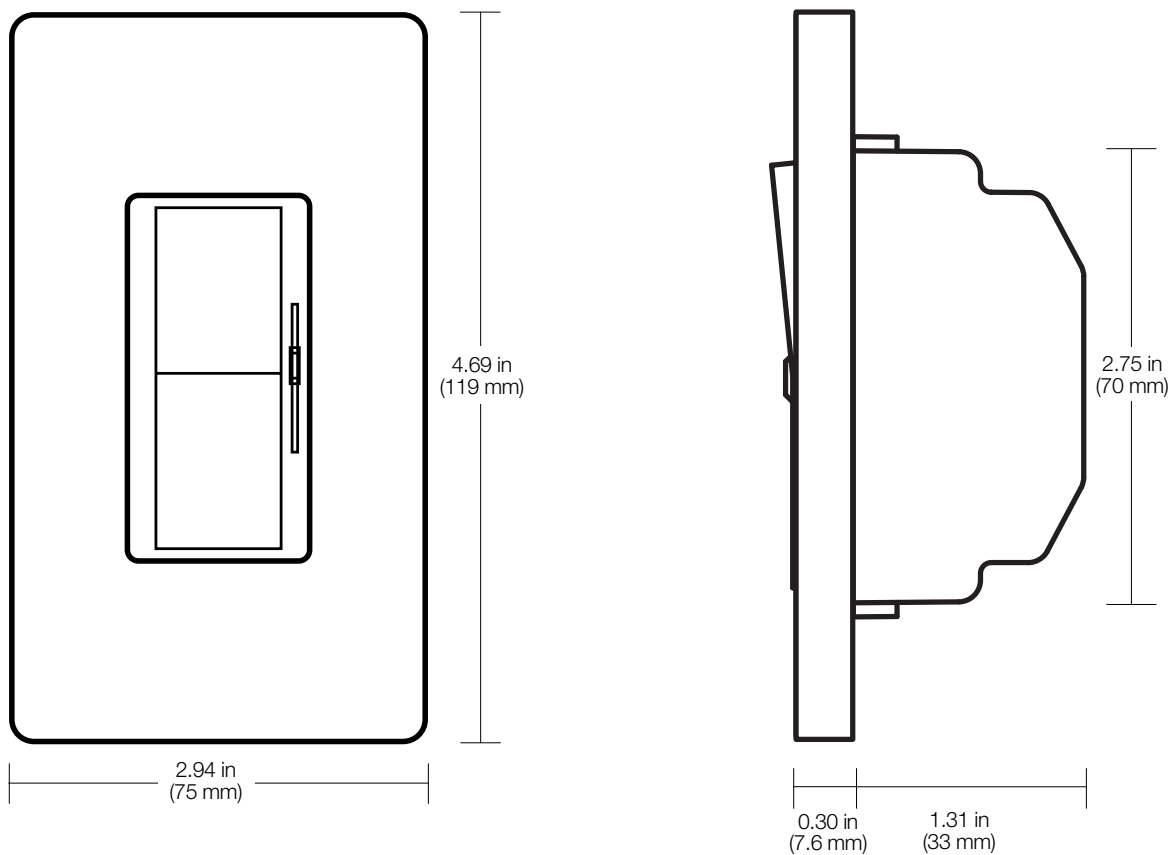
- No derating required if ganged.
- Night light not available.
- Always consult local wiring codes.

#### Warranty

- [www.lutron.com/TechnicalDocumentLibrary/369-119\\_Wallbox\\_Warranty.pdf](http://www.lutron.com/TechnicalDocumentLibrary/369-119_Wallbox_Warranty.pdf)

Job Name:	Model Numbers:
Job Number:	

### Dimensions

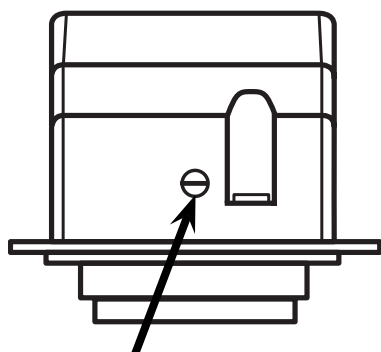


Job Name:	Model Numbers:
Job Number:	

# High-End and Low-End Adjustments

## DVSTV- Models

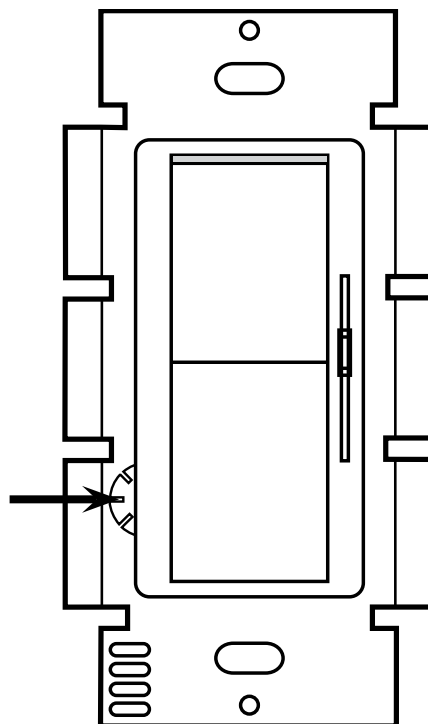
Bottom View



Maximum Light Level  
(High-End) Trim

## All Models

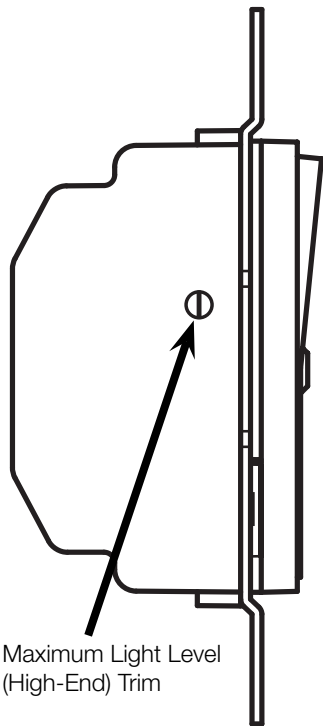
Front View



Minimum Light Level  
(Low-End) Trim

## DVTV- and DVSCTV- Models

Side View



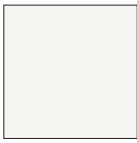
Maximum Light Level  
(High-End) Trim

Job Name:	Model Numbers:
Job Number:	

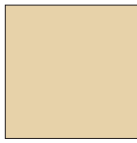
## Colors and Finishes

### Gloss Finishes\*

### Satin Finishes



White  
WH



Ivory  
IV



Brilliant White  
BW



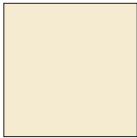
Glacier White  
GL



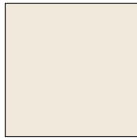
Snow  
SW



Architectural  
White  
RW



Almond  
AL



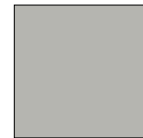
Light Almond  
LA



Lunar Gray  
LG



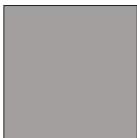
Mist  
MI



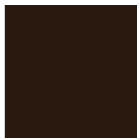
Pebble  
PB



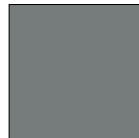
Cobblestone  
CS



Gray  
GR



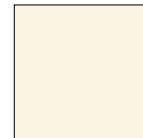
Brown  
BR



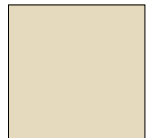
Slate  
SL



Midnight  
MN



Biscuit  
BI



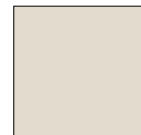
Sand  
SD



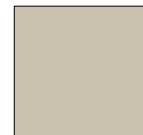
Black  
BL



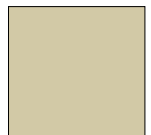
Taupe  
TP



Pumice  
PM



Clay  
CY



Sage  
SA



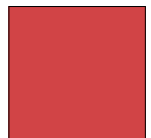
Espresso  
EP



Truffle  
TF



Deep Sea  
DE



Signal Red  
SR

- Due to printing limitations, colors and finishes shown cannot be guaranteed to perfectly match actual product colors.
- Color chip keychains are available for more precise color matching:  
Gloss Finishes: DG-CK-1  
Satin Finishes: SF-CK-1
- For coordinating wallplates and accessories, visit [lutron.com/claro](http://lutron.com/claro)

\*DVSTV-453PH-WH and DVSTV-453PH-WH-C available in white gloss only.

*Continued on next page...*

<b>Job Name:</b>	<b>Model Numbers:</b>
<b>Job Number:</b>	

**Colors and Finishes** *(continued)*

**Satin Colors (while supplies last)**



Hot  
HT



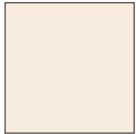
Merlot  
MR



Plum  
PL



Palladium  
PD



Eggshell  
ES



Sienna  
SI



Terracotta  
TC



Greenbriar  
GB



Bluestone  
BG



Mocha Stone  
MS



Goldstone  
GS



Desert Stone  
DS



Stone  
ST



Limestone  
LS

- Due to printing limitations, colors and finishes shown cannot be guaranteed to perfectly match actual product colors.
- Color chip keychains are available for more precise color matching:  
Satin Colors: SC-CK-1 (while supplies last)

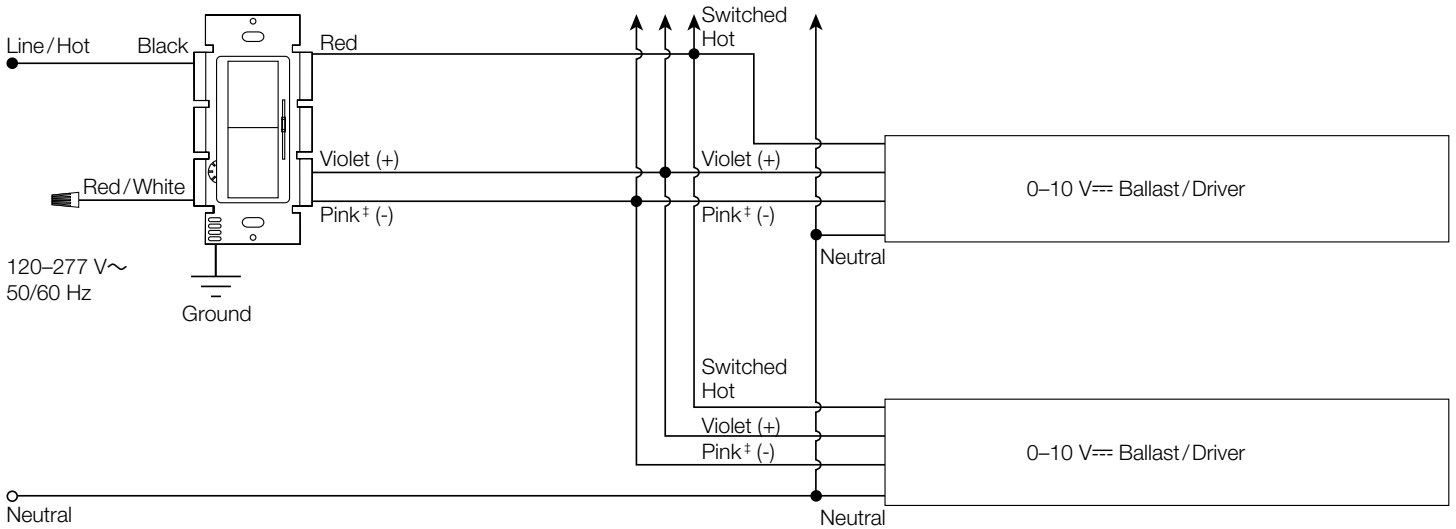
<p><b>Job Name:</b></p> <p><b>Job Number:</b></p>	<p><b>Model Numbers:</b></p>
--	------------------------------



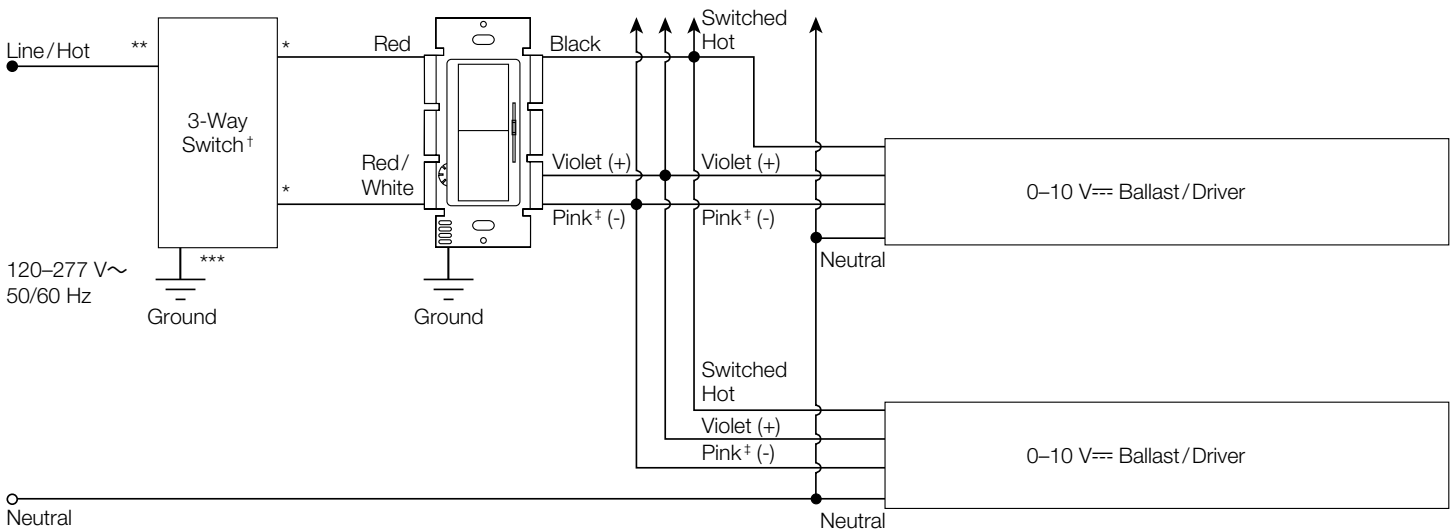
# Wiring Diagrams

## DVSTV- / DVSCSTV-

### Single-Pole Wiring



### 3-Way Wiring



\* Copper/Black screw terminal

\*\* Brass/Gold screw terminal

\*\*\* Green screw terminal

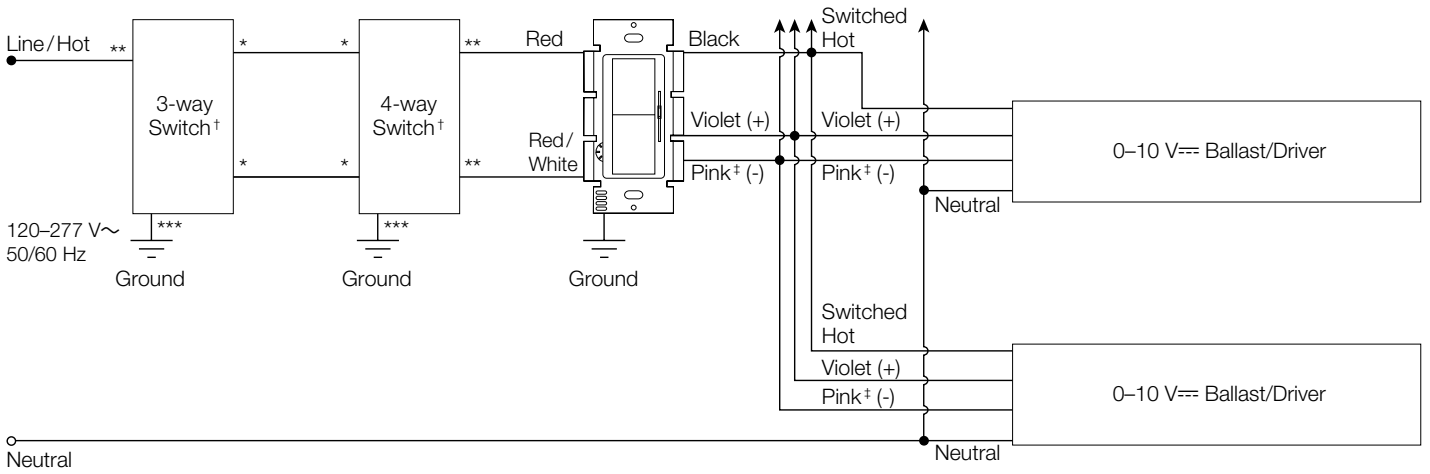
† For proper wiring, please refer to installation instructions for 3-way switch.

‡ This wire/terminal may be gray on older products or in retrofit applications.

<b>Job Name:</b>	<b>Model Numbers:</b>
<b>Job Number:</b>	

### Wiring Diagrams (continued) DVSTV- / DVSCSTV- (continued)

#### 4-Way Wiring



**Note:** For 4-way wiring, control must be installed line side or load side. It cannot be installed in the 4-way location.

\* Copper/Black screw terminal

\*\* Brass/Gold screw terminal

\*\*\* Green screw terminal

† For proper wiring, please refer to installation instructions for 3-way/4-way switch.

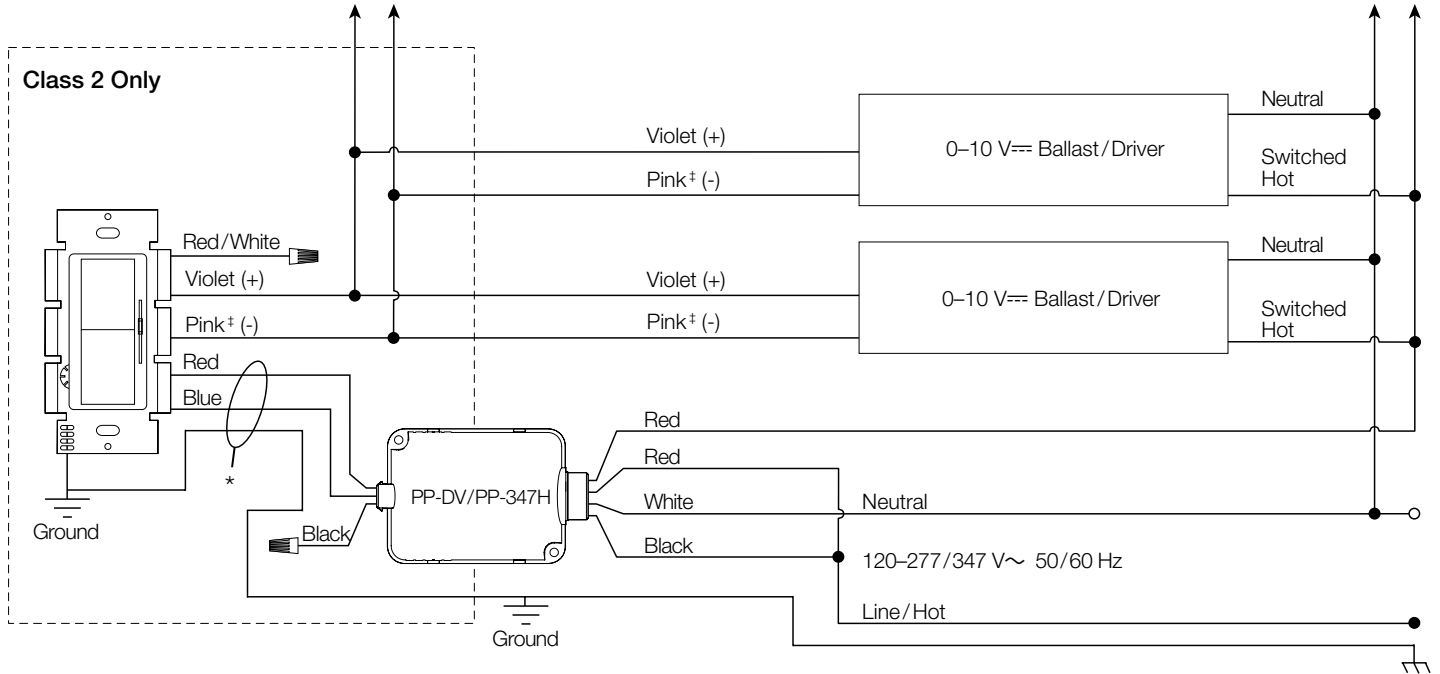
‡ This wire/terminal may be gray on older products or in retrofit applications.

<b>Job Name:</b>	<b>Model Numbers:</b>
<b>Job Number:</b>	

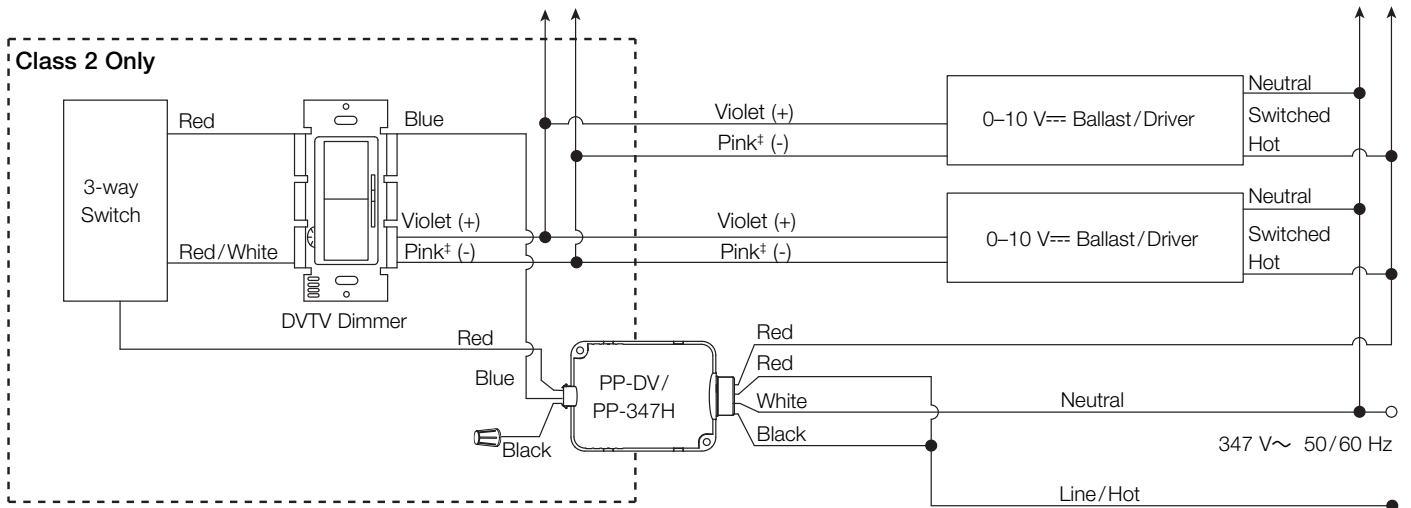
# Wiring Diagrams (continued) DVTV- and DVSCTV-

## Dimming With ON/OFF Control Wiring Diagram Using a Power Pack

### Single-Pole Wiring



### 3-Way Wiring



\* Must use shielded cable with the drain grounded and grounded faceplate/yoke.

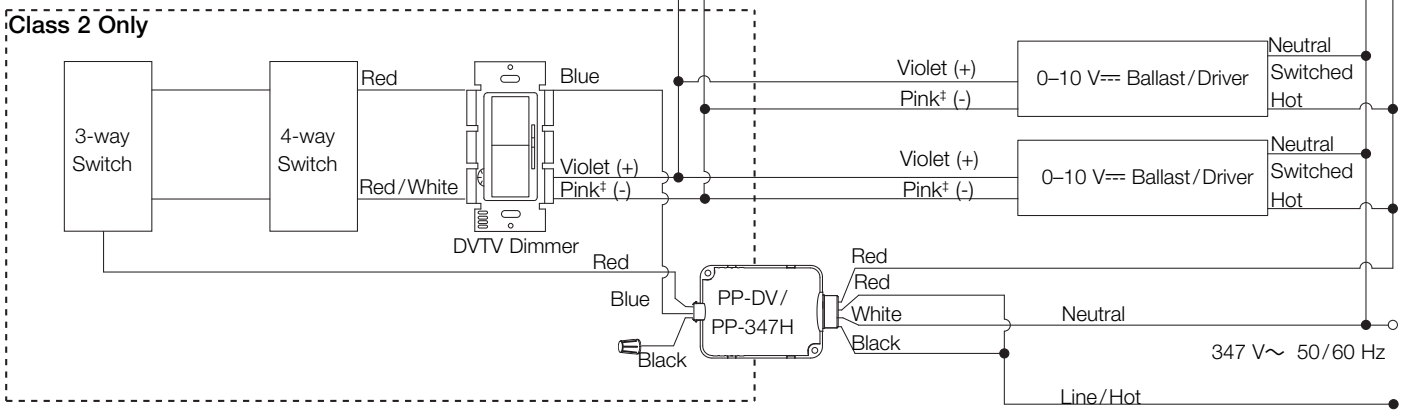
† This wire/terminal may be gray on older products or in retrofit applications.

<b>Job Name:</b>	<b>Model Numbers:</b>
<b>Job Number:</b>	

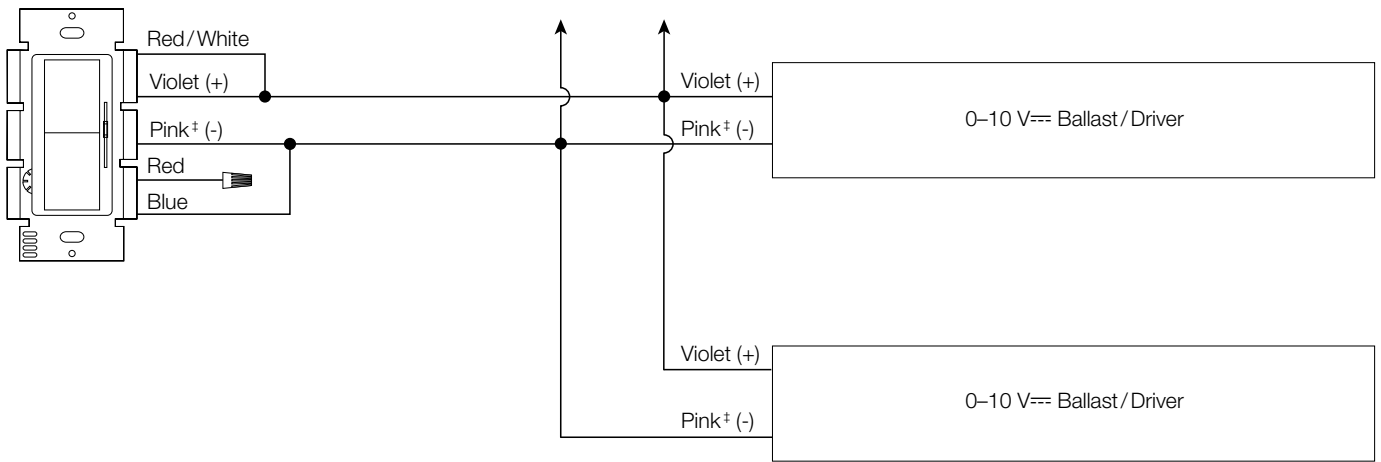
**Wiring Diagrams (continued)**  
**DVTV- and DVSCTV-**

**Dimming With ON/OFF Control**  
**Wiring Diagram Using a Power Pack (continued)**

**4-Way Wiring**



**Dimming With ON/OFF Control For Drivers Which Support Dim To OFF Capability**  
**Power Wiring Not Shown—See Lighting Device For Wiring**



This wiring diagram is used when the fixture/ballast/driver is "dim to OFF" and complies with ANSI C137.1. With this wiring setup, the line voltage power is constantly supplied to the fixture/ballast/driver and the paddle switch on the Diva dimmer brings the 0–10 V signal to 0 V when in the off position.

† This wire/terminal may be gray on older products or in retrofit applications.

The Lutron logo, Lutron, Diva, Satin Colors, and Claro are trademarks or registered trademarks of Lutron Electronics Co., Inc. in the US and/or other countries. All other product names, logos, and brands are property of their respective owners.

LUTRON SPECIFICATION SUBMITTAL		Page
Job Name:	Model Numbers:	
Job Number:		