

Skylark Contour™ Dimmer for Electronic Low-Voltage Lighting

Captive knob slide control with an easy to use rocker switch.

Product Family Features

- On/off rocker switch with a captive slider for a standard designer wallplate opening
- Switch returns load to previous level
- Uses standard single-pole or 3-way wiring for easy installation in any home
- 100% factory tested
- Coordinating Claro® and Stainless Steel wallplates available separately
- Available in all Claro® gloss colors
- Skylark Contour Family:
 - 💡 Incandescent / Halogen
 - 🔌 Electronic Low-Voltage (ELV)
 - 🔌 Magnetic Low-Voltage (MLV)
 - 🔌 Quiet Fan Speed
 - 💡🔌 Compact Fluorescent (CFL)/LED

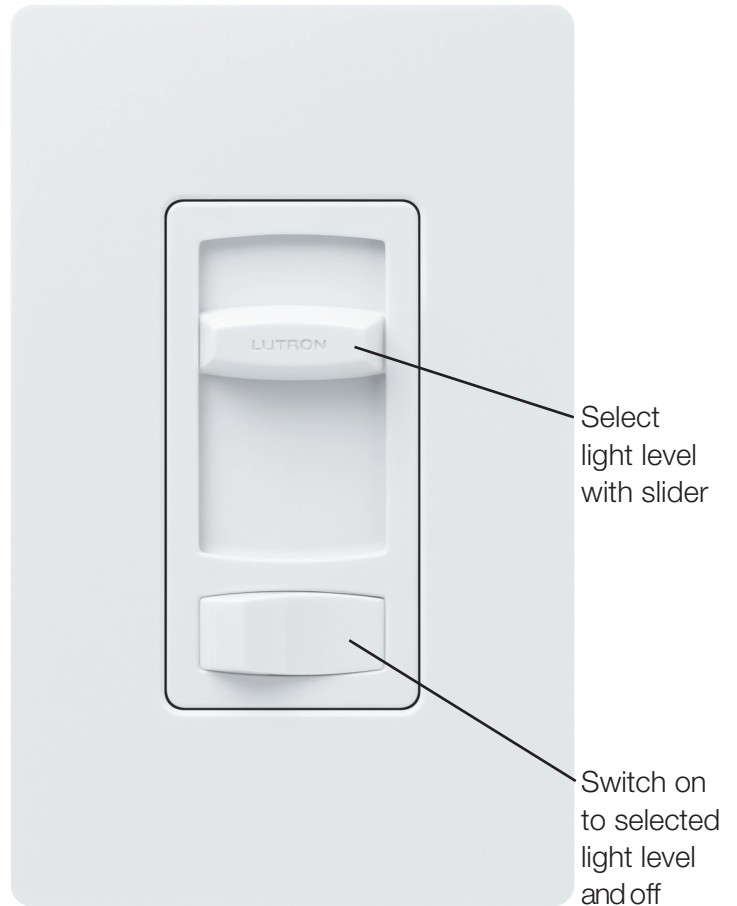
Standard Colors and Finishes

Gloss Finishes

Add color suffix to model #

Example: CTELV-303P-WH

WH	White
IV	Ivory
AL	Almond
LA	Light Almond
GR	Gray
BR	Brown
BL	Black



Select light level with slider

Switch on to selected light level and off

Wallplate sold separately

Product Specific Features

- Neutral wire connection required in wallbox for this control
- Capable of controlling up to 300 W of dimmable electronic low-voltage lighting

Model Number

CTELV-303P-XX¹ Single Pole/3-way² 300W

Notes:

- ¹ XX Gloss color codes, see section “Standard Colors and Finishes”
- ² For 3-way and 4-way switching, use Claro® switches or other mechanical switches.

Job Name:	Model Numbers:
Job Number:	

Specifications

Regulatory Approvals

- UL Listed to US and Canadian safety standards UL1472 / CSA C22.2 184.1

Power and Ratings

- 120 V~ 60 Hz
- 300 W Dimmable Electronic Low Voltage

Environment

- For indoor use only
- Operating temperatures 32 °F (0 °C) to 104 °F (40 °C)

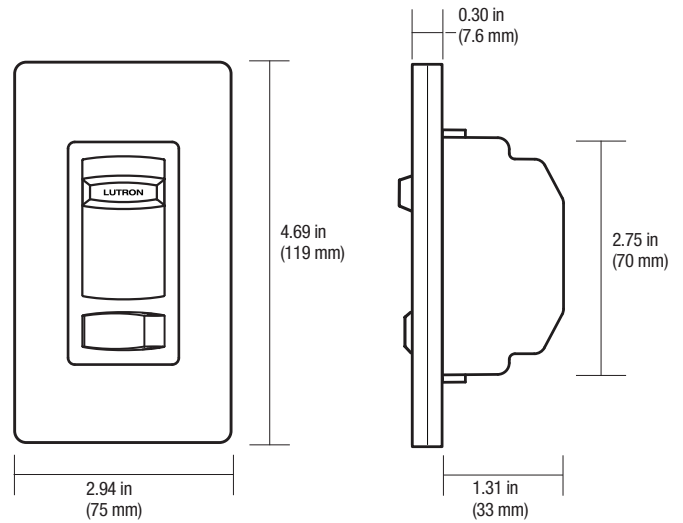
Performance

- Power-failure memory
- Captive linear slider
- Electrostatic discharge tested
- Precise color matching
- Mechanical air-gap switch to disconnect load power

Dimmer Capacity Chart

Dimmer Rating	No sides removed	1 side removed	2 sides removed
300 W	300 W max	250 W max	200 W max

Dimensions



Note: Requires a U.S. wallbox 2 ½ in (64 mm) deep minimum.

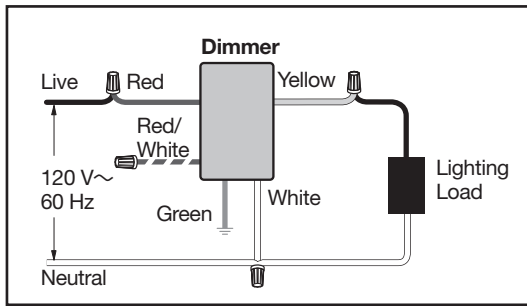
Warranty

- 1 Year Limited Warranty
For additional Warranty information, please visit http://www.lutron.com/TechnicalDocumentLibrary/369-119_Wallbox_Warranty.pdf

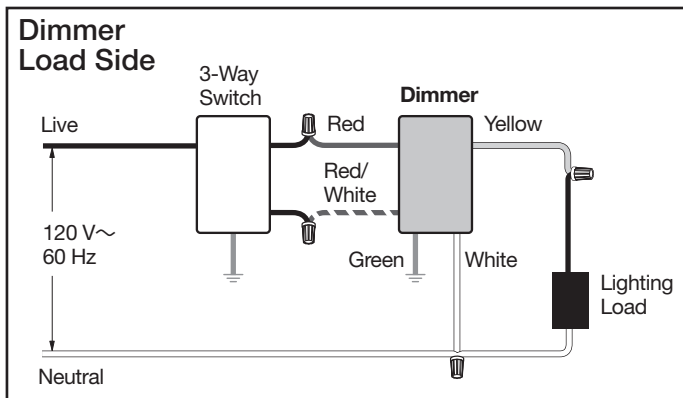
Job Name:	Model Numbers:
Job Number:	

Wiring Diagrams

Single-Pole Wiring

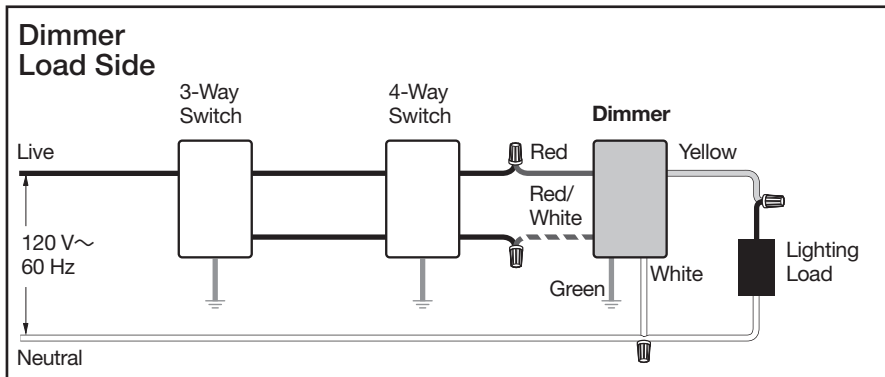


3-Way Wiring



Note: Dimmer must be installed on load side per diagram

4-Way Wiring



Note: Dimmer must be installed on load side per diagram

Job Name:	Model Numbers:
Job Number:	