

Skylark Contour LED+ Dimmer

Dimmer for dimmable LED, CFL, halogen, and incandescent bulbs.

Features

- On/off rocker switch with a captive linear-slide dimmer for a standard designer wallplate opening.
- LED+ includes the most advanced technology for superior dimming of LED, CFL, halogen, and incandescent bulbs.
- UL Listed to control:
 - Dimmable LEDs
 - Dimmable compact fluorescent lamps (CFL) with integrated ballast
 - Lutron LTEA Hi-lume 1% forward-phase LED driver
 - Halogen
 - Incandescent
- Low-end adjustment to accommodate a wide range of bulbs.
- 100% factory tested.
- Formerly C•L.

Application Requirements

- **When dimming LEDs or CFLs, only bulbs marked or rated as DIMMABLE may be used.**
- For a complete list of compatible DIMMABLE LEDs please visit www.lutron.com/LEDfinder
- Some DIMMABLE LEDs and CFLs require a minimum number of bulbs for proper operation. For details and a list of bulbs, please visit www.lutron.com/LEDfinder

Model Number

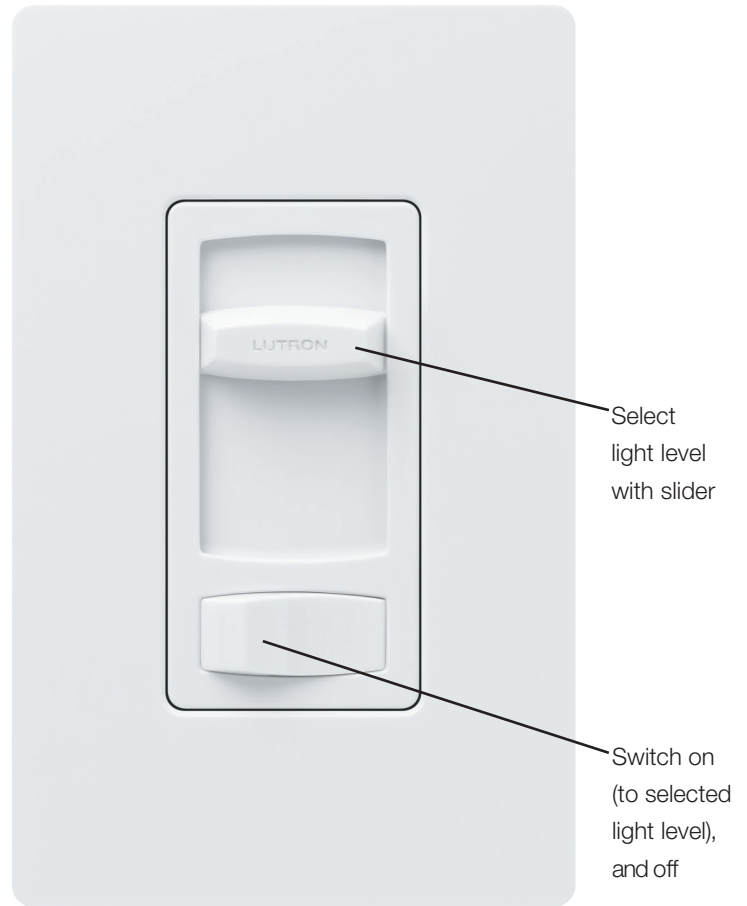
CTCL-153P-XX^{1,2} Single pole/3-way³
 CTCL-153PH-XX-C⁴ Single pole/3-way³

¹“XX” in the model number represents color/finish code; see **"Colors and Finishes"** on next page.

²For clamshell packaging, add "H" after "153P".

³For 3-way and 4-way switching, use Claro switches or other mechanical switches.

⁴Clamshell packaged product for Canada.



Select light level with slider

Switch on (to selected light level), and off

* Wallplate sold separately

Job Name:	Model Numbers:
Job Number:	

Specifications

Regulatory Approvals

- UL Listed to US and Canadian safety requirements UL1472/CSA C22.2 184.1
- NOM

Power and Ratings

- 120 V~ 60 Hz
- 150 W dimmable LED/CFL
- or**
- 600 W incandescent/halogen
- or**
- Mixed bulb type per **Multigang and Mixed Bulb Type Ratings** table (see page 3)
- or**
- 250 W Lutron LTEA Hi-lume 1% forward-phase LED driver (max 6 drivers)

Environment

- For indoor use only.
- Operating temperatures 32 °F to 104 °F (0 °C to 40 °C).

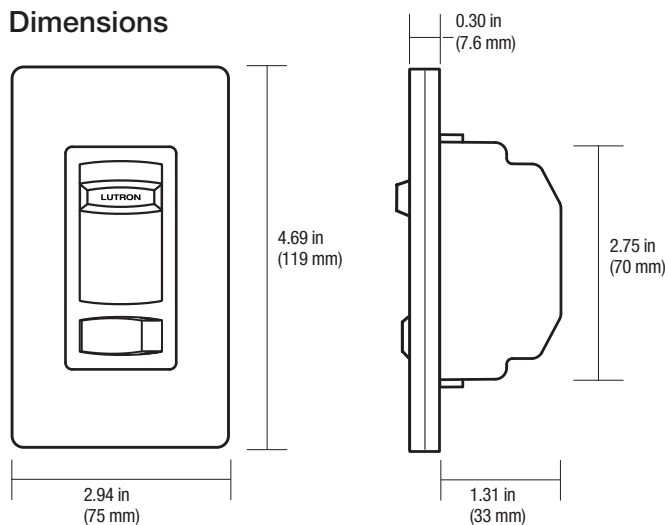
Performance

- Power-failure memory
- Captive linear slider
- Electrostatic discharge tested
- Precise color matching
- Mechanical air-gap switch to disconnect load power

Warranty

- 1 Year Limited Warranty
- For additional Warranty information, please visit www.lutron.com/TechnicalDocumentLibrary/369-119_Wallbox_Warranty.pdf

Dimensions



Note: Requires a U.S. wallbox 2½ in (64 mm) deep minimum.

Colors and Finishes

Gloss Finishes

Add color/finish code to model #

Example: CTCL-153P-WH

WH	White
IV	Ivory
AL	Almond
LA	Light Almond
GR	Gray
BR	Brown
BL	Black

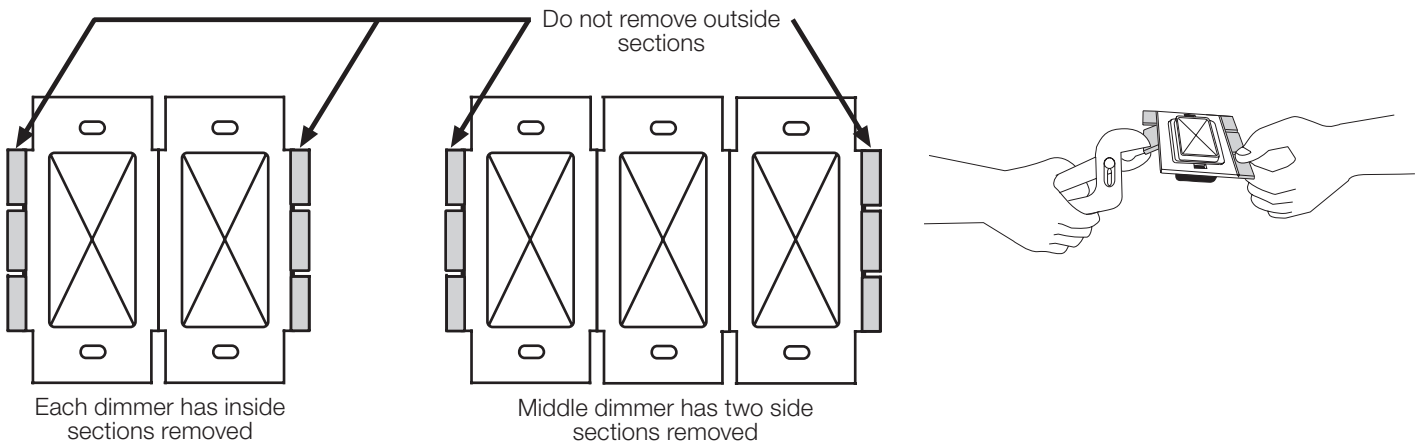
Job Name:	Model Numbers:
Job Number:	

Multigang and Mixed-Bulb-Type Ratings

When installing more than one dimmer in the same wallbox, it may be necessary to remove some side sections prior to wiring (**see diagram**). Removal of dimmer side sections may reduce maximum wattage, as shown in the chart below.

Mixing bulb types (**using a combination of LED/CFL, and incandescent/halogen bulbs**) will also affect the maximum ratings, as shown in the chart below.

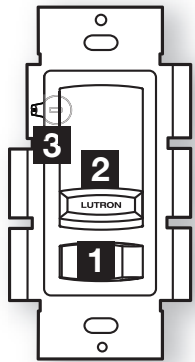
*EXAMPLE: If one set of side sections is removed and you have three 10 W LED bulbs installed (Total LED Wattage = 30 W), you may add up to 300 W of incandescent or halogen lighting.



Total LED/CFL Wattage Installed (Wattage per bulb x # of bulbs)	LED CFL	Maximum Allowable Incandescent/Halogen Wattage		
		No sides removed	1 side removed	2 sides removed
0 W	+	600 W	500 W	400 W
1 W – 25 W	+	500 W	400 W	300 W
26 W – 50 W	+	400 W	300 W	200 W
51 W – 75 W	+	300 W	200 W	100 W
76 W – 100 W	+	200 W	100 W	50 W
101 W – 125 W	+	100 W	50 W	0 W
126 W – 150 W	+	0 W	0 W	0 W

Job Name:	Model Numbers:
Job Number:	

Operation (View with wallplate removed)



1 Switch
Turns lights ON and OFF.

2 Slider
Controls light level.

+ ↑ Up
Increases light level

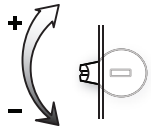
- ↓ Down
Decreases light level

IMPORTANT: Set slider to bottom before adjusting dimming range.

Lever-type Adjustment Dial

3 Adjustment lever
Sets low end dimming limit.

Up (clockwise)
Increases brightness



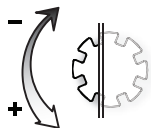
Down (counter-clockwise)
Decreases brightness

OR

Wheel-type Adjustment Dial

3 Adjustment dial
Sets low end dimming limit.

Up (clockwise)
Decreases brightness

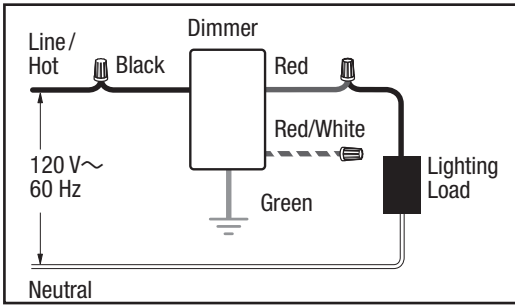


Down (counter-clockwise)
Increases brightness

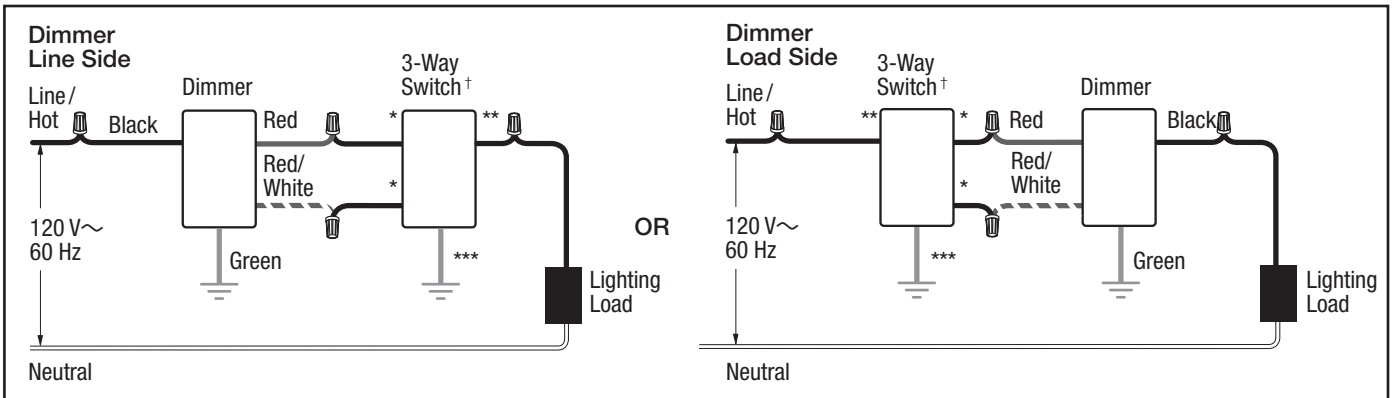
Job Name:	Model Numbers:
Job Number:	

Wiring Diagrams

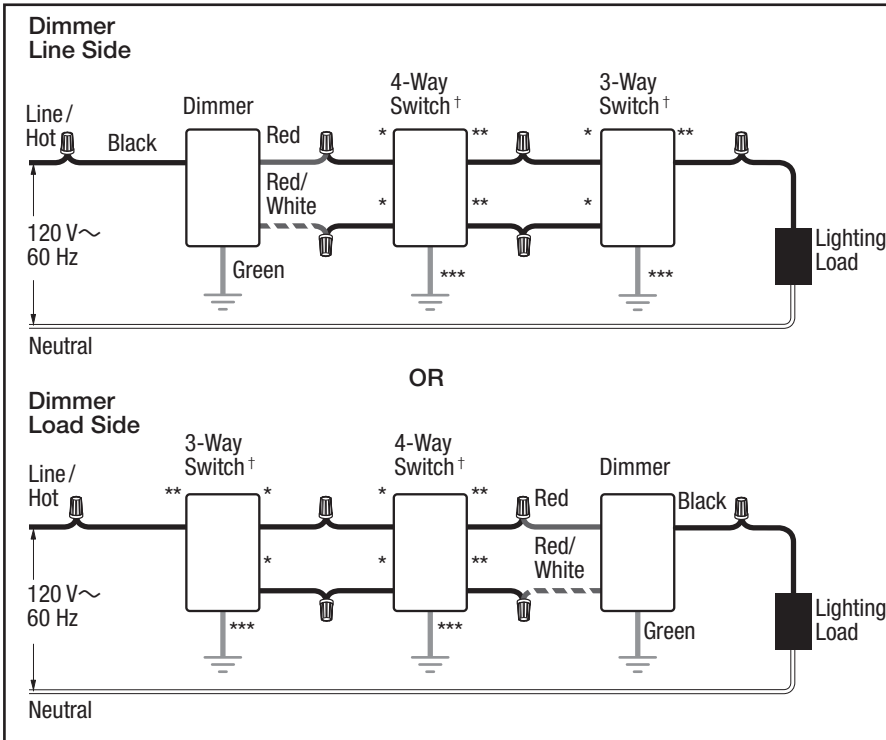
Single-Pole Wiring



3-Way Wiring



4-Way Wiring



- * Brass/Gold screw terminal
- ** Copper/Black screw terminal
- *** Green screw terminal
- † Please refer to the switch's instruction sheet for proper wiring.

Note for 4-Way Wiring:
Dimmer must be installed Line Side or Load Side. It cannot be installed in the 4-way location.

The Lutron logo, Lutron, Skylark Countour, Hi-lume, LED+, C•L, and Claro are trademarks or registered trademarks of Lutron Electronics Co., Inc. in the US and/or other countries. All other product names, logos, and brands are property of their respective owners.

Job Name:	Model Numbers:
Job Number:	