

## Skylark Contour LED+ Dimmer

Dimmer for dimmable LED, CFL, halogen, and incandescent bulbs.

### Features

- Select light level with slider.
- Slide down to turn off lights.
- LED+ includes the most advanced technology for superior dimming of LED, CFL, halogen, and incandescent bulbs.
- UL® Listed to control:
  - Dimmable LEDs
  - Dimmable compact fluorescent lamps (CFLs) with integrated ballast
  - Lutron LTEA Hi-lume 1% forward-phase LED driver
  - Halogen
  - Incandescent
- Low-end light level adjustment to accommodate a wide range of bulbs.
- 100% factory tested.
- Formerly C•L.

### Application Requirements

- ***When dimming LEDs or CFLs, they must be Lutron compatible for optimum performance.***
- For a complete list of compatible DIMMABLE LEDs please visit [www.lutron.com/LEDfinder](http://www.lutron.com/LEDfinder)
- Some DIMMABLE CFLs and LEDs require a minimum number of bulbs for proper operation. For details and a list of bulbs, please visit [www.lutron.com/LEDfinder](http://www.lutron.com/LEDfinder)

### Model Number

CTCL-150-XX<sup>1,2</sup> Single pole  
 CTCL-150H-XX-C<sup>1,3</sup> Single pole

<sup>1</sup> "XX" in the model number represents color/finish code.

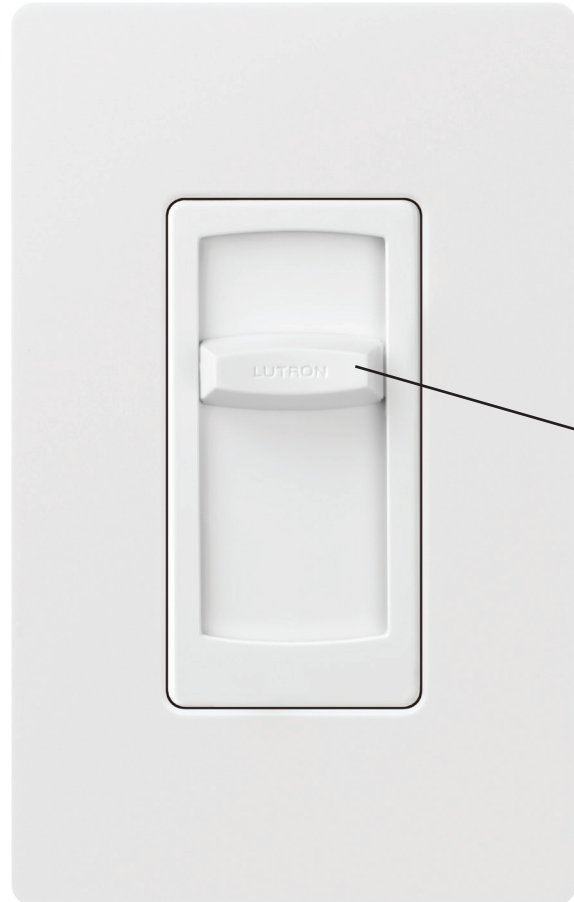
See "Colors and Finishes" on next page.

<sup>2</sup> For clamshell packaging, add an "H" after the "150".

Available in IV, LA, and WH.

<sup>3</sup> Clamshell packaged product for Canada.

Available in IV, LA, and WH.



Select light level with slider. Slide down to turn off lights.

\* Wallplate sold separately

<b>Job Name:</b>	<b>Model Numbers:</b>
<b>Job Number:</b>	

## Specifications

### Regulatory Approvals

- UL<sup>®</sup> Listed to US and Canadian safety requirements UL1472/CSA C22.2 184.1
- SSL7A compliant
- NOM compliant

### Power and Ratings

- 120 V~ 60 Hz
- 150 W dimmable LED/CFL
- or**
- 600 W incandescent/halogen
- or**
- Mixed bulb type per **Multigang and Mixed Bulb Type Ratings** table (see page 3)
- Minimum load
  - Incandescent/Halogen: 10 W
  - LED: 1 SSL7A compliant lamp unless stated otherwise in the Lutron compatible bulb list at [www.lutron.com/LEDfinder](http://www.lutron.com/LEDfinder)

**or**

- 250 W Lutron LTEA Hi-lume 1% forward-phase LED driver (6 max.)

### Environment

- For indoor use only.
- Operating temperatures 32 °F to 104 °F (0 °C to 40 °C).

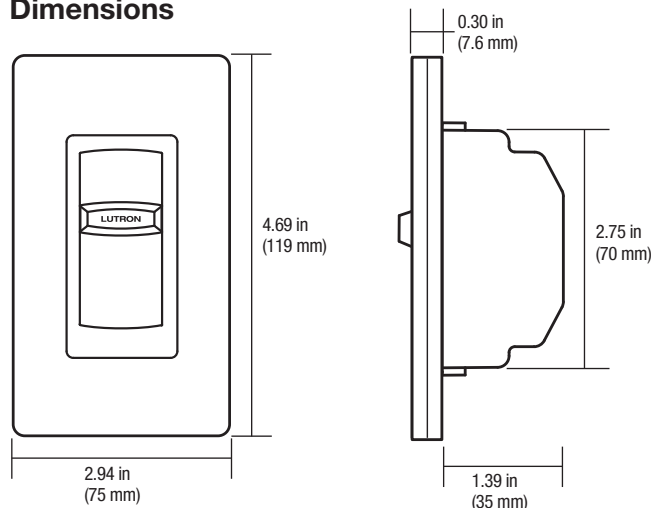
### Performance

- Power-failure memory
- Captive linear slider
- Electrostatic discharge tested
- Precise color matching
- Mechanical air-gap switch to disconnect load power

### Warranty

- 1 Year Limited Warranty  
For additional Warranty information, please visit [www.lutron.com/TechnicalDocumentLibrary/369-119\\_Wallbox\\_Warranty.pdf](http://www.lutron.com/TechnicalDocumentLibrary/369-119_Wallbox_Warranty.pdf)

### Dimensions



**Note:** Requires a U.S. wallbox 2½ in (64 mm) deep minimum.

### Colors and Finishes

#### Gloss Finishes

Add color/finish code to model #

**Example: CTCL-150H-WH**

AL	Almond
BL	Black
BR	Brown
GR	Gray
IV	Ivory
LA	Light Almond
WH	White

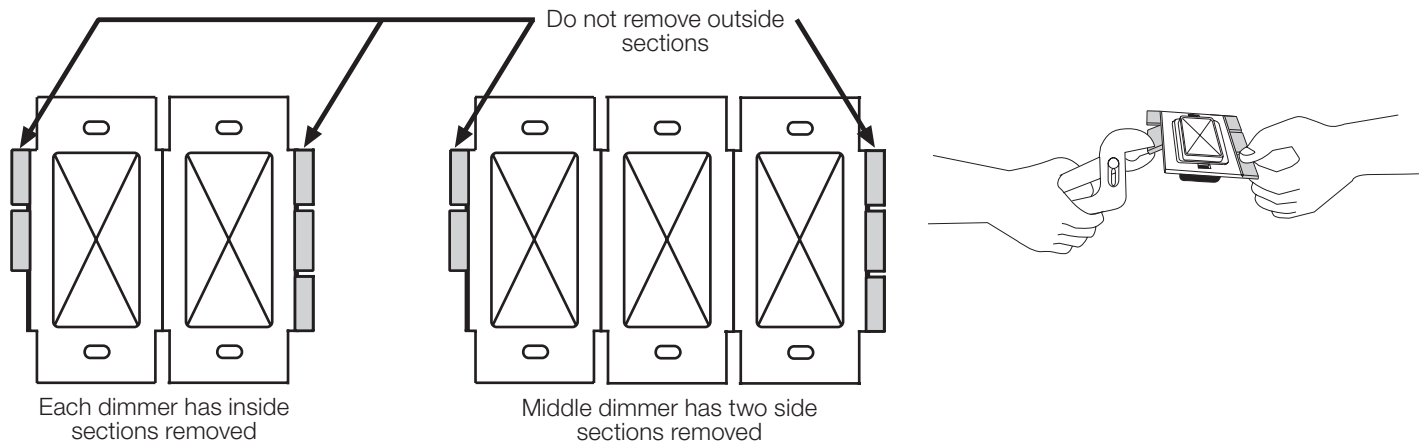
<b>Job Name:</b>	<b>Model Numbers:</b>
<b>Job Number:</b>	

## Multigang and Mixed-Bulb-Type Ratings

When installing more than one dimmer in the same wallbox, it may be necessary to remove some side sections prior to wiring (**see diagram**). Removal of dimmer side sections may reduce maximum wattage, as shown in the chart below.

Mixing bulb types (**using a combination of LED/CFL, and incandescent/halogen bulbs**) will also affect the maximum ratings, as shown in the chart below.

EXAMPLE: If one set of side sections is removed and there are three 10 W LED bulbs installed (Total LED Wattage = 30 W), up to 300 W of incandescent or halogen lighting may be added.

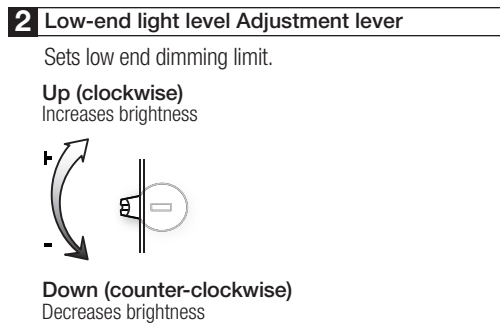
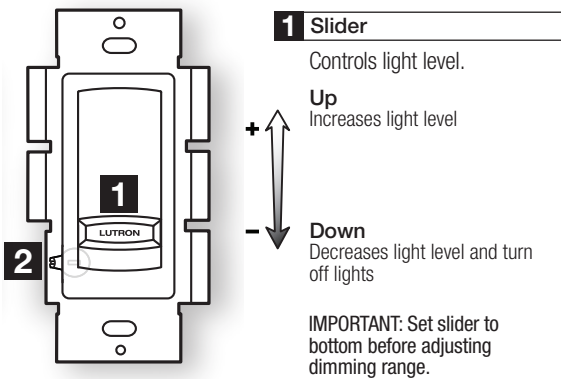


Total LED/CFL Wattage Installed (Wattage per bulb x # of bulbs)	+	Maximum Allowable Incandescent/Halogen Wattage		
		No sides removed	1 side removed	2 sides removed
0 W	+	600 W	500 W	400 W
1 W – 25 W	+	500 W	400 W	300 W
26 W – 50 W	+	400 W	300 W	200 W
51 W – 75 W	+	300 W	200 W	100 W
76 W – 100 W	+	200 W	100 W	50 W
101 W – 125 W	+	100 W	50 W	0 W
126 W – 150 W	+	0 W	0 W	0 W

Job Name:	Model Numbers:
Job Number:	

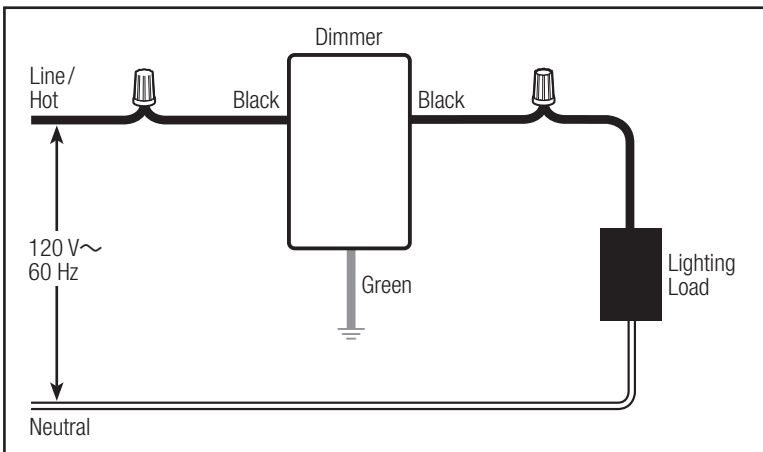
# Operation

(View with wallplate removed)



# Wiring Diagram

## Single-Pole Wiring



Lutron, The Lutron logo, Hi-lume, LED+, Skylark Contour, and C•L are trademarks of Lutron Electronics Co., Inc., registered in the U.S. and other countries. All other product names, logos, and brands are property of their respective owners.

Job Name:	Model Numbers:
Job Number:	