

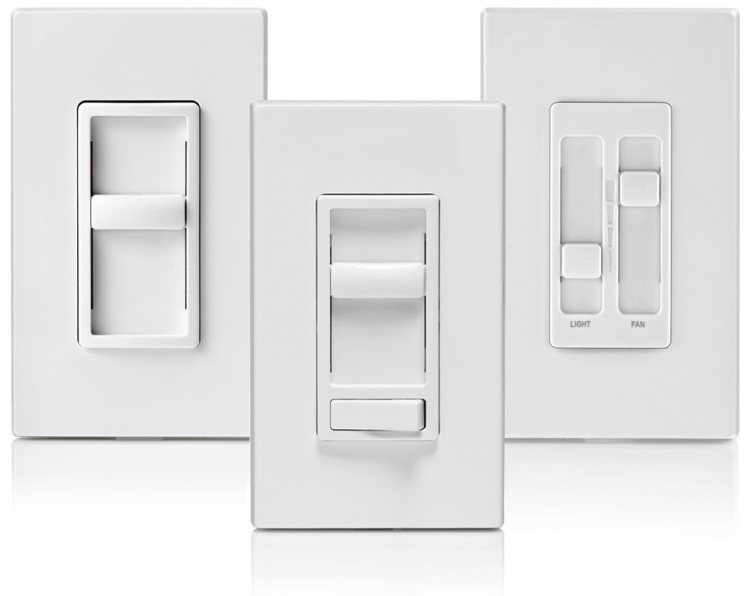
Sleek, Smooth Control



Applications

Leviton Decora SureSlide® controls provide smooth, slide-action, full-range dimming for a variety of load types. Pre-set models feature a separate ON/OFF switch, allowing the user to set the desired brightness level to operate automatically with the ON/OFF function. The 6672 is a slide-to-off model for users who choose to adjust lighting levels each time the device is used.

The SureSlide line offers models that are designed specifically for dimmable LED and CFL lamps, models for ELV applications, and also a fan speed control.



Features and Benefits

- Integrated linear full-range slide control for easy, precise operation
- Preset versions provide single pole or 3-way lighting control when used with a 3-way switch
- Slim, compact housing fits easily into a standard wallbox and is suitable for multi-gang installations
- Built-in radio/TV interference filter

LED/CFL/Incandescent Dimmers

- Designed specifically for dimmable LED and CFL lamps as well as incandescent
- Wider dimming range on LED and CFL lamps than conventional incandescent dimmers
- Customize the dimming range of LED lamps using the minimum/maximum light level adjustment to eliminate flicker, maximize energy savings, and optimize ambiance
- 6672 and 6674 can be used to comply with 2019 and 2022 California Title 24, Part 6 Indoor Lighting Switching Devices and Controls

Quiet Fan Speed Control

- Special circuitry to reduce fan motor noise at low speeds
- Quiet 1.5 amp fan speed control is perfect for libraries, home offices, bedrooms and any area where ceiling fan noise could become distracting
- Selection of low, medium or high fan speeds

Dual Quiet Fan/Light Control

- Separate controls for fan and light level selection
- Designed for use with LED/CFL and incandescent lamps
- Minimum adjustment dial to modify the dimming range
- Special circuitry to reduce fan motor noise at low speeds
- Selection of low, medium or high fan speeds

Specifications At-A-Glance

	6672	6674	66EV	66DF	661F
Voltage, Frequency					
120VAC-60Hz	Yes	Yes	Yes	Yes	Yes
Load Rating					
Incandescent/Halogen	600W	600W	-	300W	-
LED/CFL	150W	150W	-	150W	-
ELV	-	-	300W	-	-
Motor	-	-	-	1.5A	1.5A
Mechanical					
Neutral Required	No	No	Yes	No	No
Single Pole/3-Way	No	Yes	Yes	No	Yes
Locator Light	Yes, Optional	No	No	No	No

Maximum Load For Multi-Gang Applications

In multi-gang applications de-rating may be required in accordance with the following chart.

Cat. No.	Single	2-gang	3-gang or more
6674 6672	150W LED/CFL 600W Incandescent/Halogen	150W LED/CFL 500W Incandescent/Halogen	150W LED/CFL 400W Incandescent/Halogen
66EV	300W ELV	300W ELV	250W ELV
66DF	150W LED/CFL 300W Incandescent/Halogen 1.5A	150W LED/CFL 300W Incandescent/Halogen 1.5A	150W LED/CFL 250W Incandescent/Halogen 1.5A
661F	1.5A	1.5A	1.5A

Typical Specifications

Operating Temperature Range: 0°C to 55°C
Storage Temperature Range: -10°C to 85°C
Relative Humidity: 20% to 90% non-condensing

Agency Standards and Compliance

UL 1472 Solid State Dimming Controls
CSA 22.2 No. 184.1
UL 1917 Fan Control
NEMA SSL 7A Compliant (6672 and 6674 only)
California Title 24 Compliant (6672 and 6674 only)

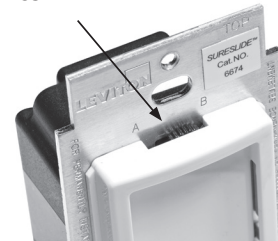
Warranty Information

Five-Year Limited Warranty

Installation Considerations

6672, 6674 and 66DF: LED and CFL lamps marked or rated as dimmable can be used with this dimmer. For a complete list of approved LED lamps visit www.leviton.com/led.

Mode Selector Switch

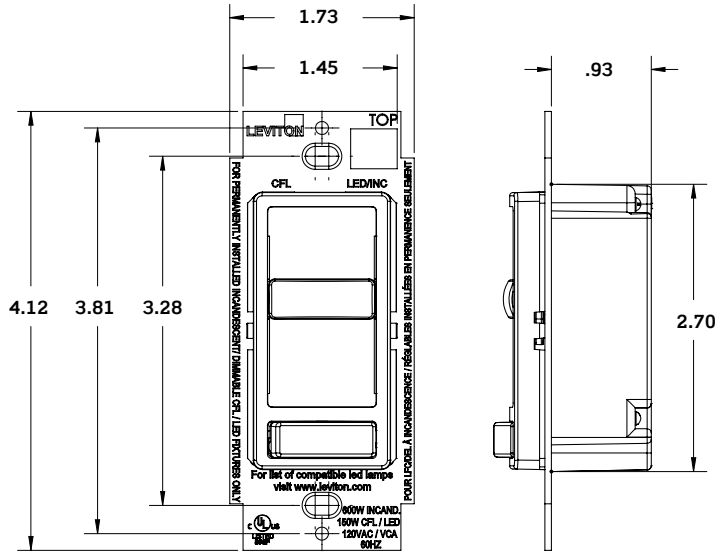


- Provides options to optimize performance for LED lamps to help ensure best performance for the load being controlled (factory preset to Mode A)

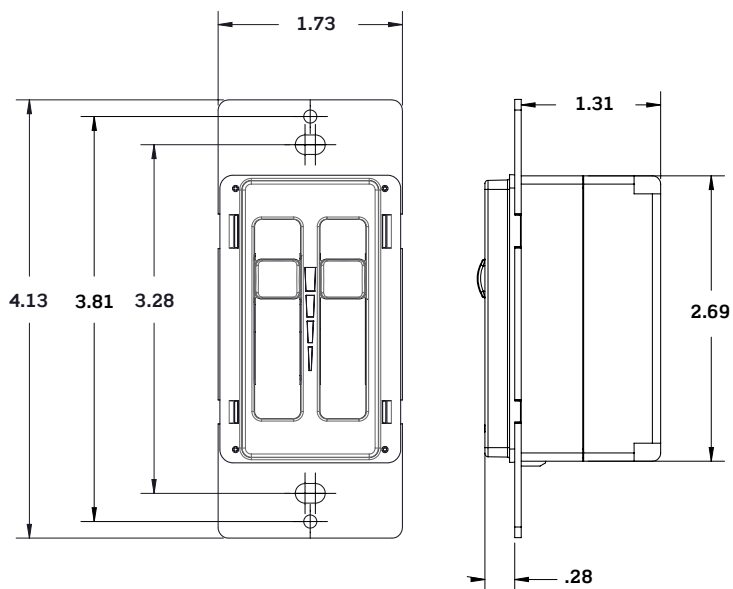
- Switch also enables the programming mode to adjust maximum and minimum light levels to match the full range of load and helps eliminate flicker for a smoother experience

Dimensional Drawings

Cat. No. 6672, 6674 (shown)

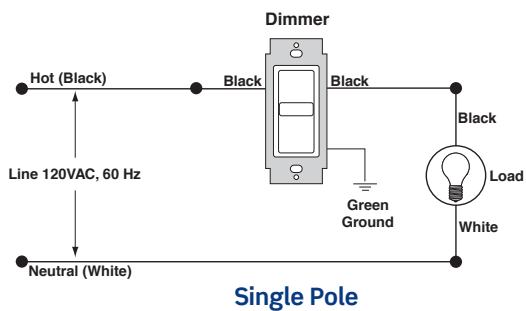


Cat. No. 66DF



Wiring Diagrams

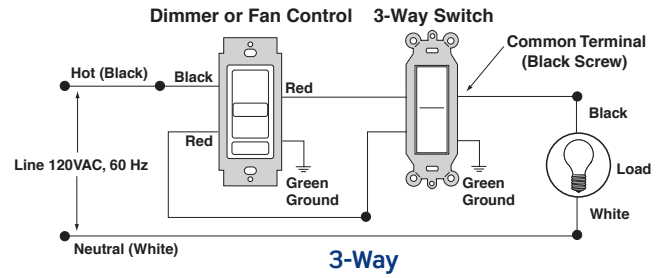
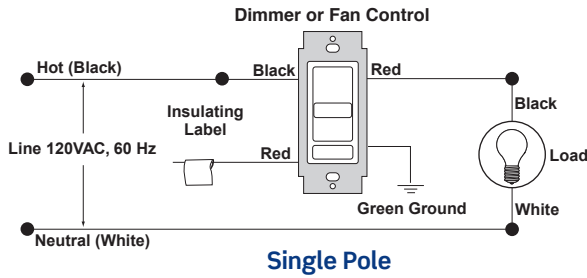
Cat. No. 6672



Wiring Diagrams

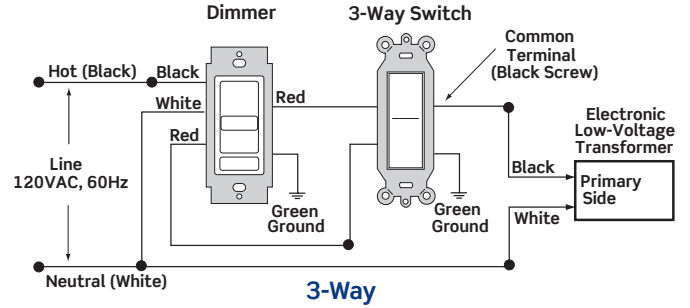
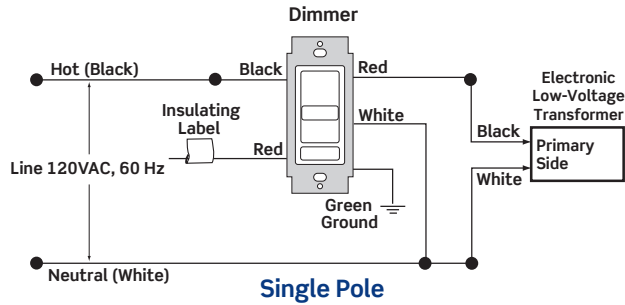
Cat. No. 6674, 661F

Cat. No. 6674, 661F

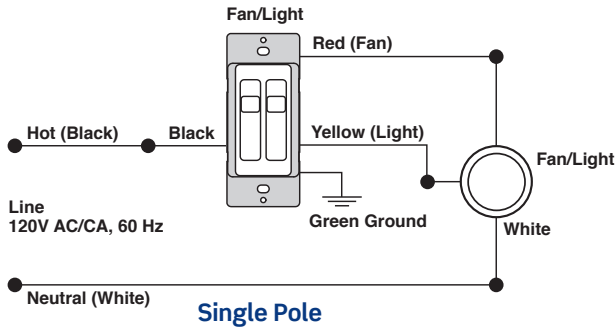


Cat. No. 66EV

Cat. No. 66EV



Cat. No. 66DF



Ordering Information

Description	Cat. No.	Rating	Color*
LED/CFL/Incandescent Dimmer, Slide-to-OFF, Single Pole	6672	150W LED/CFL 600W Incandescent/Halogen	W, I, T
LED/CFL/Incandescent Dimmer with pre-set ON/OFF switch, Single Pole or 3-way	6674	150W LED/CFL 600W Incandescent/Halogen	W, I, T, E, B
Electronic Low Voltage Dimmer with pre-set ON/OFF switch, Single Pole or 3-way	66EV	300W ELV	W, I, T
Dual Quiet Fan/Light Control, Slide-to-OFF, Single Pole	66DF	150W LED/CFL 300W Incandescent/Halogen 1.5A Motor	W, I, T
Quiet Fan Speed Control, 3-speed with pre-set ON/OFF switch, Single Pole or 3-way	661F	1.5A Motor	W, I, T

*To order colors, add suffix to basic catalog number: White (-W), Ivory (-I), Light Almond (-T), Black (-E) and Brown (-B).



Leviton Manufacturing Co., Inc.

Tech Line: 1-800-824-3005

Mon-Fri 8am-10pm EST, Saturday 9am-7pm EST, Sunday 9am-5pm EST

For 24/7 product support visit www.leviton.com/support

Visit our Website at: www.leviton.com/dimmers

© 2022 Leviton Manufacturing Co., Inc. All rights reserved. All trademarks are the property of their respective owners.



JA-070522-dp