



UNDERCABINET LIGHTING

PRO-SERIES LED

3000K LEDs, DIMMABLE

**UPLED09, UPLED14,
UPLED22 and UPLED30**

Project: _____

Fixture Type: _____

Location: _____

Contact/Phone: _____

PRODUCT DESCRIPTION

The Pro-Series LED modular series with integral electronic driver operates 3000K LEDs for maintenance free 50,000 hour life using 1/6 the energy and virtually no heat when compared to halogen & xenon. Pro-Series LED fixtures are optimized for fast permanent installation, mounting either flush to the rear backsplash or to the front lip of cabinetry to suit project conditions and homeowner preference. Pro-Series LED fixtures are environmentally friendly and contain no harmful mercury. 5-year limited warranty.

PRODUCT SPECIFICATIONS

LEDs Utilizes warm-white 3000K LEDs tightly binned to within 2-step MacAdam ellipse for superb color consistency • Light output equivalent to Pro-Series Halogen & Pro-Series Xenon fixtures • Provides 50,000 hour service life • 80 CRI minimum.

Driver Integral electronic 120-volt constant current driver is accessible without having to remove fixture • Dimmable with most incandescent, magnetic low voltage or electronic low voltage wall box dimmers • For a list of compatible dimmers, refer to next page.

Housing Slim 1" profile • Modular plug-together design • Extruded Aluminum • Designer white, black, brushed bronze, or brushed silver.

Diffuser Clear prismatic tempered glass lens for maximum light transmission • Reverse-angled to minimize perceived brightness.

Switch Convenient integral On/Off rocker switch.

Labels UL Listed.

INSTALLATION

UPLED Series fixtures offer several convenient methods for installation and can be installed as direct wire or portable luminaires. Fixtures may be mounted flush to the backsplash or up against the front lip of the cabinetry using captive mounting screws.

Direct Wire The UPLED14, UPLED22, and UPLED30 are optimized with a center rear wiring access compartment and push-in electrical connectors for quick electrical connection using non-metallic or armored cable • The UPLED14, UPLED22, and UPLED30 also feature multiple off-center knockouts and are supplied with die cast fittings for 3/8" flexible metal conduit • An optional direct-wire module (ULH-DWM sold separately), supplied with a 36" field-shortenable jumper cord to bring power to the fixture, is also available to facilitate code compliant installation of fixture at the front end of cabinetry • Please note that if direct wiring is required for the UPLED09, the ULH-DWM must be utilized.

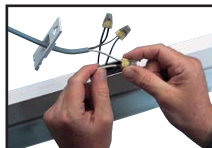
Portable To install the UPLED14, UPLED22, or UPLED30 as a portable fixture, use the optional 3-wire grounded cord & plug (ULH-CP sold separately). Note: UPLED09 cannot be wired with ULH-CP.

Electrically Connecting Multiple Fixtures Connect multiple fixtures for up to 5 amps maximum combined operating current • Fixtures may be electrically joined together using either the straight joiner connector supplied with each fixture or the optional JC3 jumper cords • See accessories table for lengths and colors. See engineering data table for input current draw of each fixture size.

PRO-SERIES LED 5 MINUTE DIRECT-WIRE INSTALLATION FOR UPLED14, UPLED22 & UPLED30 ONLY



Step 1 Attach supply wires to rear access cover.

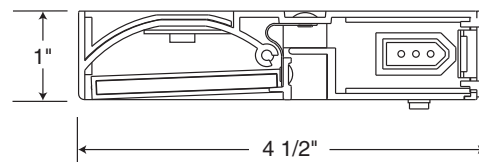


Step 2 Connect supply wires to fixture leads using push-in connectors.



Step 3 Mount fixture to cabinet bottom using captive mounting screws.

DIMENSIONS



ENGINEERING DATA

	UPLED09	UPLED14	UPLED22	UPLED30
Total input power (watts)	3.8	6.5	10.0	12.1
Total Operating AMPS	.04	.06	.09	.11

PRODUCT CODES

Catalog Number	Finish	Overall Length	Number of LEDs
UPLED09-BL	Black	9 1/2"	2
UPLED09-BZ	Brushed Bronze	9 1/2"	2
UPLED09-SL	Brushed Silver	9 1/2"	2
UPLED09-WH	Designer White	9 1/2"	2
UPLED14-BL	Black	14"	4
UPLED14-BZ	Brushed Bronze	14"	4
UPLED14-SL	Brushed Silver	14"	4
UPLED14-WH	Designer White	14"	4
UPLED22-BL	Black	22"	6
UPLED22-BZ	Brushed Bronze	22"	6
UPLED22-SL	Brushed Silver	22"	6
UPLED22-WH	Designer White	22"	6
UPLED30-BL	Black	29 1/4"	8
UPLED30-BZ	Brushed Bronze	29 1/4"	8
UPLED30-SL	Brushed Silver	29 1/4"	8
UPLED30-WH	Designer White	29 1/4"	8

ACCESSORIES

Catalog No.	Description
JC3-8-WH,-BL	8" Jumper Cord
JC3-17-WH,-BL	17" Jumper Cord
JC3-26-WH,-BL	26" Jumper Cord
ULH-CONN	3/8" Miniature Die-Cast Electrical Connector
ULH-CP-WH,-BL	3-Wire Grounded Cord & Plug
ULH-DWM-WH,-BL	Direct-Wire Module

UNDERCABINET LIGHTING

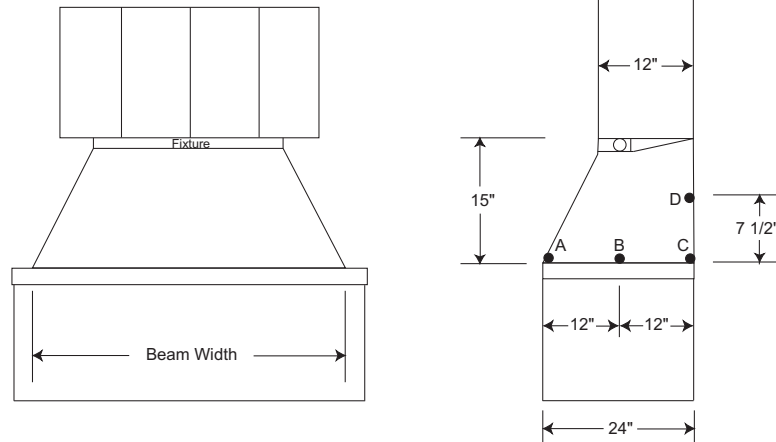
PRO-SERIES LED

3000K LEDs, DIMMABLE

**UPLED09, UPLED14,
UPLED22 and UPLED30**

LIGHTING APPLICATION DATA

FOOTCANDLES ON HORIZONTAL WORK SURFACE



Footcandles						
Cat #	Number of LEDs	* Beam Width	A	B	C	D
UPLED09	(2) 1-watt LEDs	20"	12	37	17	13
UPLED14	(4) 1-watt LEDs	22"	22	64	31	24
UPLED22	(6) 1-watt LEDs	28"	30	86	41	31
UPLED30	(8) 1-watt LEDs	32"	35	97	50	38

*Beam width defined as 50% of maximum footcandles
 Fixture mounted at front lip of cabinet
 Rear wall reflectance 50%
 Counter Surface Reflectance 20%

DIMMER COMPATIBILITY

Dimmable with most standard incandescent, magnetic low voltage or electronic low voltage dimmers. Dimming range depends on dimmer model. Compatible dimmers include but are not limited to the following Juno qualified dimmers listed below. Note: Due to the low wattage of UPLED09, it is recommended to combine this luminaire on a dimmer with at least one additional luminaire for best dimming performance.

INCANDESCENT AND MAGNETIC LOW VOLTAGE DIMMERS

Lutron® Model Numbers:

Glyder® GLV Series*
 Diva® DV/DVLV Series
 Ariadni® AY Series
 Skylark® S Series
 Ceand® CNLV Series*
 Nova T☆® NTLV Series*

Leviton® Model Numbers:

Trimatron #6681

ELECTRONIC LOW VOLTAGE DIMMERS

Lutron® Model Numbers:

Nova T☆® NTELV Series
 Skylark® SELV Series*
 Diva® DVELV Series
 Maestro® MAELV Series*
 Faedra® FAELV Series*
 Spacer System® SPSELV Series*

Leviton® Model Numbers:

Illumatech® IPE04 Series
 (Dimmer has manual trim adjustment for low end of dimming range to achieve 5% dimming)

Whole House Integrated Control Systems:

Schneider Electric C-Bus SLC5504TD4A*
 Lutron® Homeworks® QS HQRD-6NA*
 Lutron® Radio RA2® RRD-6NA*
 Lutron® Radio RA2® RRD-10ND*

*Juno recommended dimmers



JUNO LIGHTING GROUP
 by Schneider Electric

1300 S. Wolf Road • Des Plaines, IL 60018 • Phone (847) 827-9880 • Fax (847) 827-2925
 220 Chrysler Drive • Brampton, Ontario • Canada L6S 6B6 • Phone (905) 792-7335 • Fax (905) 792-0064
 Visit us at www.junolightinggroup.com

Printed in U.S.A. ©2012 Juno Lighting, LLC.