



UNDERCABINET LIGHTING

DIRECT WIRE FLUORESCENT

8W, 14W, 21W & 28W

T5 HE Fluorescent Lamps

UFL12, UFL22, UFL34 and UFL46

Project: _____

Fixture Type: _____

Location: _____

Contact/Phone: _____

PRODUCT DESCRIPTION

Direct Wire Fluorescent luminaires offer highly efficient illumination in a shallow, easy-to-conceal profile. Ideal for undercabinet, undershelf, and task lighting, where maximum energy efficiency, long lamp life, and cool operation are desired.

PRODUCT SPECIFICATIONS

Lamp Latest generation of high-efficiency (HE), high color rendering 3000K T5 tri-phosphor fluorescent lamps • 10,000 hour rated lamp life.*

Ballast State of the art 120V electronic ballast instantly starts lamp and operates without flicker or hum.

Housing Formed steel fixture body for maximum strength, painted appliance white or silver.

Switch Convenient on/off switch.

Diffuser Extruded non-yellowing clear UV/impact resistant acrylic lens.

Labels UL Listed and Energy Star compliant • Complies with California's Title 24 energy code.

INSTALLATION

UFL fixtures may be direct-wired with non-metallic cable or flexible metal conduit using the 3/8" die-cast fitting supplied with the fixture. Connect at knockouts located at rear and ends of fixture.

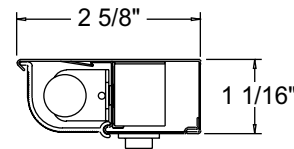
Portable To install as a portable fixture, use the 3-wire grounded cord & plug (ULH-CP sold separately).

PRODUCT CODES

Catalog Number	Finish	Overall Length	Lamp
UFL12-WH	Appliance White	12 1/16"	8W T5
UFL12-SL	Silver	12 1/16"	8W T5
UFL22-WH	Appliance White	22 3/4"	14W T5 HE
UFL22-SL	Silver	22 3/4"	14W T5 HE
UFL34-WH	Appliance White	34 1/2"	21W T5 HE
UFL34-SL	Silver	34 1/2"	21W T5 HE
UFL46-WH	Appliance White	46 5/16"	28W T5 HE
UFL46-SL	Silver	46 5/16"	28W T5 HE

* 8W T5 tri-phosphor lamp rated at 7,500 hours.

DIMENSIONS



ENGINEERING DATA (120V)

	UFL12	UFL22	UFL34	UFL46
Total input power (watts)	8.4	15.3	22.1	30.3
Total Operating AMPS	.13	.23	.32	.45
Power Factor	.52	.53	.57	.56

MAXIMUM ENERGY EFFICIENCY:

8 watts = 40 watts halogen

14 watts = 75 watts halogen

21 watts = 100 watts halogen

28 watts = 150 watts halogen

ACCESSORIES

Catalog No.	Description
ULH-CONN	3/8" Miniature Die-Cast Electrical Connector
ULH-CP-WH,-BL	3-Wire Grounded Cord & Plug

UNDERCABINET LIGHTING

DIRECT WIRE FLUORESCENT

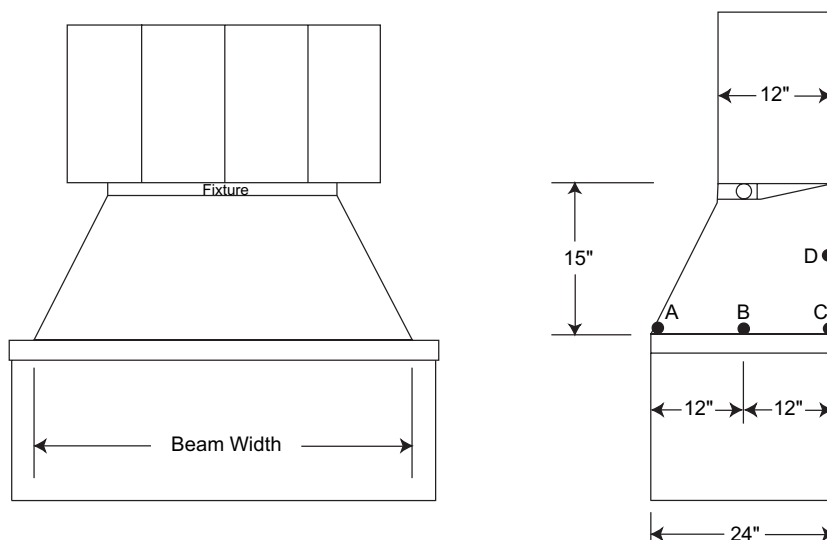
8W, 14W, 21W & 28W

T5 HE Fluorescent Lamps

LIGHTING APPLICATION DATA

UFL12, UFL22, UFL34 and UFL46

FOOTCANDLES ON HORIZONTAL WORK SURFACE



Footcandles						
Cat #	Lamp	*Beam Width	A	B	C	D
UFL12	8-watt T5	24"	32	77	68	93
UFL22	14-watt T5 HE	31"	64	135	130	157
UFL34	21-watt T5 HE	41"	66	140	131	140
UFL46	28-watt T5 HE	50"	83	171	166	170

*Beam width defined as 50% of maximum footcandles

Rear wall reflectance 50%

Counter Surface Reflectance 20%

8 watts equivalent to 40 watts of halogen

14 watts equivalent to 75 watts of halogen

21 watts equivalent to 100 watts of halogen

28 watts equivalent to 150 watts of halogen