

## Features

- 6" Super slope remodel housing (oval)
- Oblique angle housing design holds trims flush with the ceiling
- Adjustable socket plate permits lamp to remain perpendicular to floor through entire pitch range
- Medium base porcelain socket with nickel-plated copper screw shell
- Housing is vertically adjustable to accommodate up to a 1" ceiling thickness
- Housing is secured in place with factory supplied remodel clips
- Telescoping height for use in 2x8 or 2x10 construction
- Pre-wired junction box with (4) 1/2" knockouts with pryout slots, (4) non-metallic sheathed cable connectors, and ground wire
- Shadow-free, knife-edge trim design blends smoothly into the ceiling and allows architectural continuity with Aculux® trims
- Angle-cut baffles ensure grooves remain parallel to the floor to provide proper optics
- UL Listed, C-UL/CSA certified for through-branch wiring, maximum (4) #12 AWG branch circuit conductors (2 in, 2 out)
- Thermally protected against improper use of lamps
- Lamp wattage ratings and apertures based on trim selection on page 120



## Description

Non-IC rated remodel housing for use in 7/12 to 12/12 pitch slopes (30° to 45°) where the back side of the ceiling is not accessible • Designed to be installed in non-insulated areas, or where insulation is spaced at least 3" from housing • The Juno patented Slope Ceiling Down-Lites direct light straight down, providing proper lighting from a sloped surface

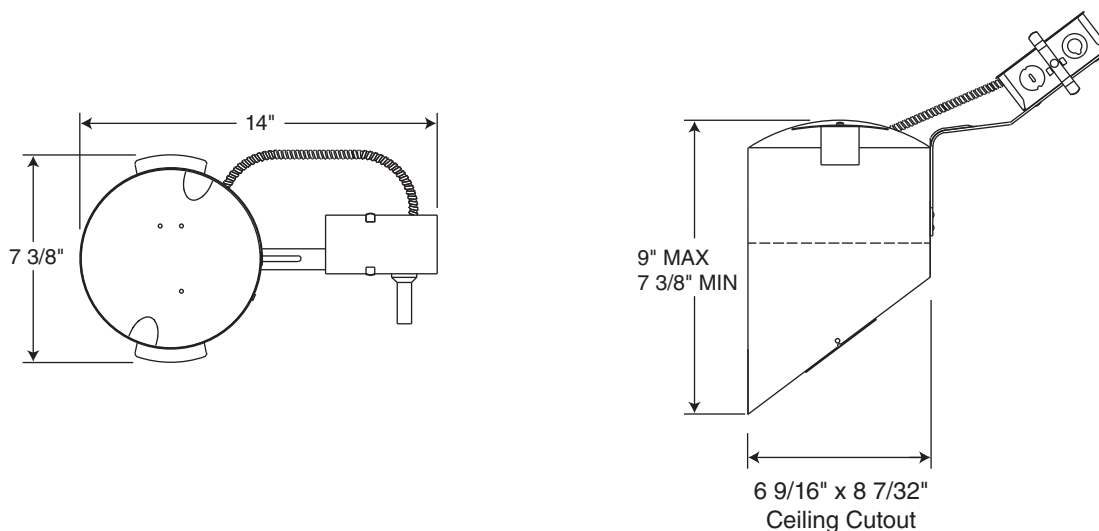
## Listings

UL Listed, C-UL/CSA certified for through-branch wiring, damp and wet locations • Wet location listed with the 603 trim • Conforms with City of Chicago IP requirements

## Ordering Information

Catalog Number: **TC928R**

## Dimensions



**Downlights**



Baffle

**Catalog #**  
 604W-WH  
 604B-WH  
 604B-BL  
 604B-ABZ  
 604B-SC

**Description**

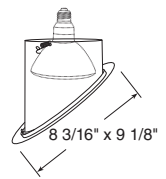
White Baffle, White Trim  
 Black Baffle, White Trim  
 Black Baffle, Black Trim  
 Black Baffle, Classic Aged Bronze Trim  
 Black Baffle, Satin Chrome Trim

**Max. Lamp Rating**

IC928: 90W PAR38  
 TC928: 150W PAR38

**Aperture**

5 1/2" x 6 7/8"



Cone

**Catalog #**  
 602B-WH  
 602C-WH  
 602G-WH  
 602HZ-SC  
 602HZ-WH  
 602W-WH  
 602WHZ-ABZ  
 602WHZ-WH

**Description**

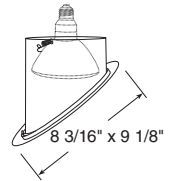
Black Alzak®, White Trim  
 Clear Alzak®, White Trim  
 Gold Alzak®, White Trim  
 Haze, Satin Chrome Trim  
 Haze, White Trim  
 White, White Trim  
 Wheat Haze, Classic Aged Bronze Trim  
 Wheat Haze, White Trim

**Max. Lamp Rating**

IC928: 75W PAR30, 90W PAR38, 85W BR30  
 TC928: 75W PAR30, 150W PAR38, 85W BR30

**Aperture**

5 3/4" x 7"



**Adjustables**



Cylinder Spotlight in Baffle

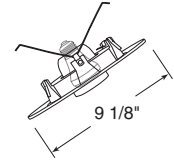
**Catalog #**  
 606W-WH  
 606B-WH

**Description**

White Cylinder with White Baffle, White Trim  
 Black Cylinder with Black Baffle, White Trim

**Max. Lamp Rating**

60W PAR16



**Lensed**



Lensed Flat Diffuser

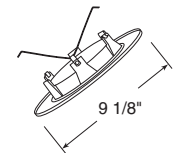
**Catalog #**  
 603W-WH  
 603B-WH

**Description**

White Trim  
 White Trim

**Max. Lamp Rating**

IC928: 50W PAR30  
 TC928: 75W A19, 75W PAR30



Down-Lites



JUNO LIGHTING GROUP  
 by Schneider Electric