

TC20 Series 5" Incandescent Housing

Non-IC Rated

Juno

Features

- 5" Housing
- Medium base porcelain socket with nickel-plated copper screw shell
- Drop socket with spring to accommodate various trim installations
- Housing is vertically adjustable to accommodate up to a 1" ceiling thickness
- Housing is fully assembled for ease of installation
- Real Nail® 3 bar hangers: telescoping system with pre-installed removable nail for easy repositioning of housing in joist construction • Integral T-bar mounting feature for secure installation in suspended ceilings • Patented breakaway bars for tight joist spacing • Bar hangers may be re-positioned 90° • Curved foot facilitates alignment with joist bottom • Quick-Loc slot and oversized set screw lock fixture in position
- Pre-wired junction box with (5) 1/2" and (1) 3/4" knockouts with pryout slots, (4) non-metallic sheathed cable connectors, and ground wire
- Shadow-free, knife-edge trim design blends smoothly into the ceiling and allows architectural continuity with Aculux® trims
- UL Listed, C-UL/CSA certified for through-branch wiring, maximum (8) #12 AWG branch circuit conductors (4 in, 4 out)
- Thermally protected against improper use of lamps or insulation
- Lamp wattage ratings and apertures based on trim selection on pages 63-65



Description

Non-IC rated housing • Designed to be installed in non-insulated areas, or where insulation is spaced at least 3" from housing

Listings

UL Listed, C-UL/CSA certified for through-branch wiring, damp and wet locations • Wet location listed with the 210, 211, and 212 trims • The listing also includes the 215 and 216 trims, only when used with PAR30 outdoor rated lamps • Conforms with City of Chicago IP requirements

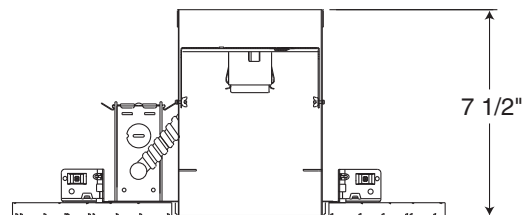
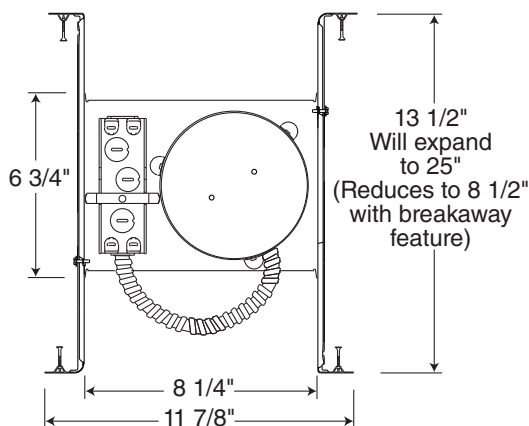
Down-Lites

Ordering Information

Catalog Number: **TC20**

Catalog Number: **TC20S** - TC20 with smaller footprint bar hanger (Real Nail® 2)

Dimensions



5 5/8" Ceiling Cutout

J
JUNO LIGHTING GROUP
by Schneider Electric