



UNDERCABINET LIGHTING

LINE VOLTAGE HALOGEN

25W - 120Volt Halogen Lamps

UH106, UH212 and UH318

Project: _____

Fixture Type: _____

Location: _____

Contact/Phone: _____

PRODUCT DESCRIPTION

The Line Voltage Halogen modular series provides economical halogen lighting by utilizing 120-volt halogen lamps that do not require a transformer. Fixtures may be dimmed to create night and mood lighting via fixture mounted hi-lo-off switch or wall mounted dimmers. The compact design is ideal for undercabinet, undershelf and task lighting where bright, halogen light and dimming capability is desired.

PRODUCT SPECIFICATIONS

Lamp 25watt 120volt halogen G8 bi-pin lamps supplied with fixture • 2,000 hour rated life.

Housing Extruded aluminum painted designer white.

Reflector Specular aluminum inner reflector.

Diffuser Frosted tempered glass lens.

Switch Convenient integral Hi/Lo/Off rocker switch.

Dimming Use better quality incandescent wall dimmers.

Labels UL Listed.

INSTALLATION

UH series fixtures mount with captive mounting screws and install without having to open the fixture or remove the lens.

Portable All UH series fixtures are supplied with 6' power cord and removable insulation displacement type plug to allow field shortening. The power cord attaches to either side of the fixture. Note: Allow 2 1/2" of side clearance for insertion/removal of the power cord.

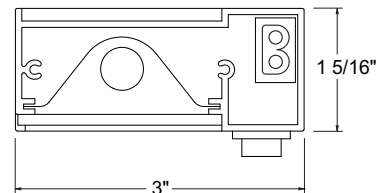
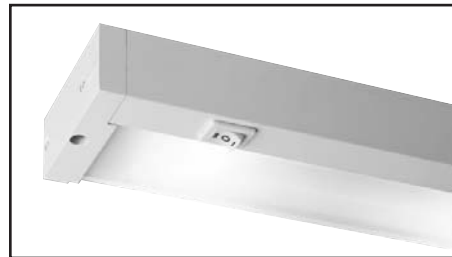
Direct Wire UH fixtures may be direct-wired with non-metallic cable or flexible metal conduit using the optional DWM1 Direct Wire Module accessory (sold separately). The DWM1 is supplied with a 36" field-shortenable jumper cord to bring power to either end of the UH fixture. Note: Allow 2 1/2" of side clearance for insertion/removal of the jumper cord.

Electrically Connecting Multiple Fixtures Up to 750 watts of UH fixtures may be electrically joined together using either the straight joiner connector supplied with each fixture or the optional JC2 jumper cords. See accessories below for lengths.

PRODUCT CODES

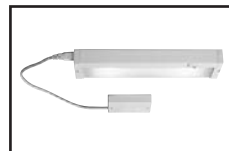
Catalog Number	Finish	Overall Length	Lamp
UH106-WH	Designer White	6 1/8"	1-25W
UH212-WH	Designer White	12 1/8"	2-25W
UH318-WH	Designer White	17 3/4"	3-25W

DIMENSIONS



ENGINEERING DATA

	UH106	UH212	UH318
Total input power (watts)	25	50	75
Total Operating AMPS	.21	.42	.63
Power Factor	.99	.99	.99



ACCESSORIES

Catalog No.	Description
DWM1-WH	Direct Wire Module
JC2-8-WH	8" Jumper Cord
JC2-17-WH	17" Jumper Cord
JC2-26-WH	26" Jumper Cord
T925	25W-120V Replacement Lamp

UNDERCABINET LIGHTING

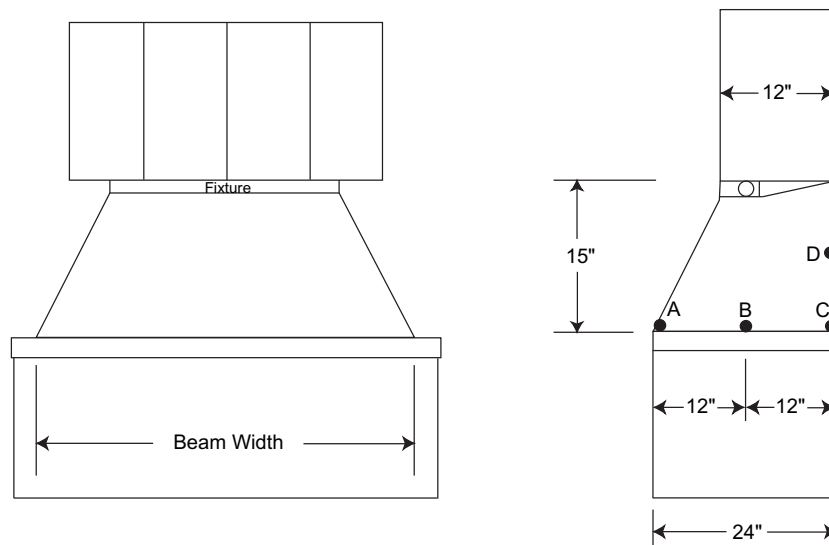
LINE VOLTAGE HALOGEN

25W - 120Volt Halogen Lamps

UH106, UH212 and UH318

LIGHTING APPLICATION DATA

FOOTCANDLES ON HORIZONTAL WORK SURFACE



Footcandles						
Cat #	Lamp	*Beam Width	A	B	C	D
UH106	(1) 25-watt Halogen	12"	8	33	19	18
UH212	(2) 25-watt Halogen	22"	12	60	35	35
UH318	(3) 25-watt Halogen	28"	19	93	51	48

*Beam width defined as 50% of maximum footcandles

Rear wall reflectance 50%

Counter Surface Reflectance 20%