



## Description

IC rated, low voltage, energy efficient, Air-Loc® sealed double wall construction housing does not require separate Air-Loc gasket • Can be completely covered with insulation • Air-Loc housing with all trims stops infiltration and exfiltration of air, reducing heating and cooling costs

## Listings

UL Listed, C-UL/CSA certified for through-branch wiring, damp and wet locations • Washington State, IECC and MEC energy codes as tested per ASTM-E283 • Wet location listed with trims 441, 4401, 4402 and 4481 • Conforms with City of Chicago IP requirements

## Features

- 4" Housing
- Ceramic bi-pin socket with aluminum heat shield
- Housing is vertically adjustable to accommodate up to a 1" ceiling thickness
- Aluminum housing is fully assembled for ease of installation
- 120V to 12V 50VA thermally protected magnetic transformer
- May be dimmed using dimmers specifically designed for magnetic transformers
- Real Nail® 3 bar hangers: telescoping system with pre-installed removable nail for easy repositioning of housing in joist construction • Integral T-bar mounting feature for secure installation in suspended ceilings • Patented break-away bars for tight joist spacing • Bar hangers may be repositioned 90° • Curved foot facilitates alignment with joist bottom • Quick-Loc slot and oversized set screw lock fixture in position
- Pre-wired junction box with (6) 1/2" and (1) 3/4" knockouts with pryout slots, (4) non-metallic sheathed cable connectors, and ground wire
- Shadow-free, knife-edge trim design blends smoothly into the ceiling and allows architectural continuity with Aculux® trims
- UL Listed, C-UL/CSA certified for through-branch wiring, maximum (6) #12 AWG minimum 90° C branch circuit conductors (3 in, 3 out)
- Thermally protected against improper use of lamps
- MR16 lamp wattage ratings based on trim selection on pages 28-30

## Ordering Information

Catalog Number: **IC44N**

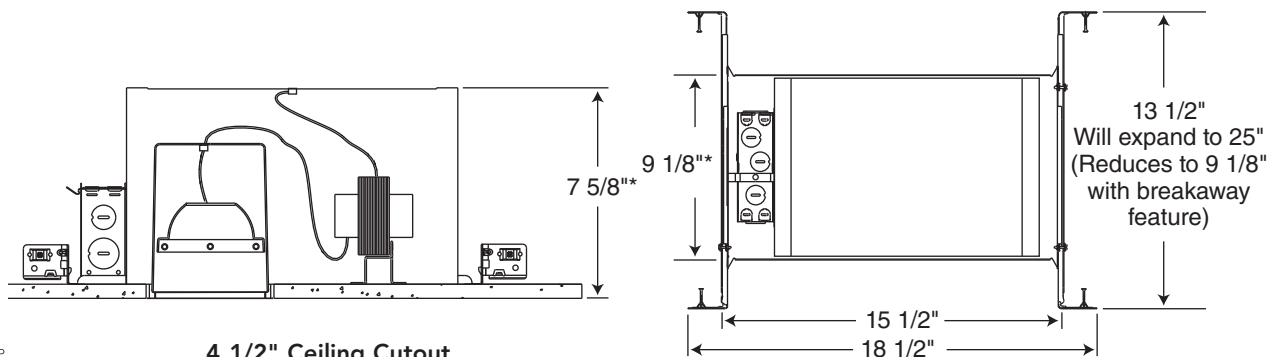
Catalog Number: **IC44S** - IC44N with 1 1/4" deep plaster lip with smaller footprint bar hanger (Real Nail® 2)

Catalog Number: **IC44W** - IC44N with push-in electrical connectors for fast, secure installation

## Accessories

Catalog Number	Description
<b>4TSA</b>	4" Housing Adaptor Converts original 4" housings for optimal retention of push-in style trims.

## Dimensions



4 1/2" Ceiling Cutout

\*8 3/8" – IC44S