

IC20RLED 5" Downlight Remodel Housing

IC Rated

ENERGY EFFICIENT

Juno



Features

- 5" Remodel housing
- Environmentally friendly, energy efficient
 - No harmful ultraviolet or infrared wavelengths
 - No lead or mercury
- Over 600 lumens using 14 watts input*
- 3000K, 3500K, or 4100K color temperatures available
- Rated for 50,000 hours at 70% lumen maintenance
- Cast aluminum heat sink ensures long LED life with superior thermal management
- Replaceable PC board with quick connector mounts directly to heat sink and incorporates the latest generation of high lumen output LEDs binned to Energy Star standards
- Computer-optimized internal reflector with specular finish coupled with a high transmission diffusing lens conceals the LEDs and produces uniform aperture luminance
- Universal voltage driver accommodates input voltages from 120 to 277 volts AC at 60Hz
- Driver is dimmable with the use of Juno qualified 120V electronic low voltage wall box dimmers
- Remodel springs accommodate up to 1 1/8" ceiling thickness
- Pre-wired junction box with (5) 1/2", (4) non-metallic sheathed cable connectors, and ground wire
- UL and cUL listed for daisy chaining
- Push-in electrical connectors included
- 3 year warranty
- Trim selection page 45

*Nominal input wattage at 120 volt operation



new

Description

IC rated dedicated LED, Air-Loc® sealed remodel housing with integral light engine for applications where the back side of the ceiling is not accessible

- Secured in place by factory installed remodel springs
- Can be completely covered with insulation
- When used with supplied ALG kit, stops infiltration and exfiltration of air, reducing heating and cooling costs
- LED housing is designed to provide 50,000 hours of life and is compatible with many standard Juno trims

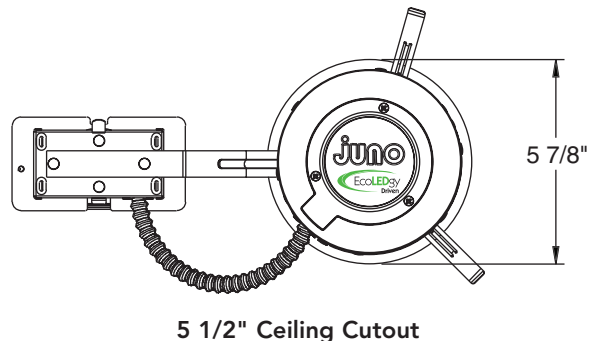
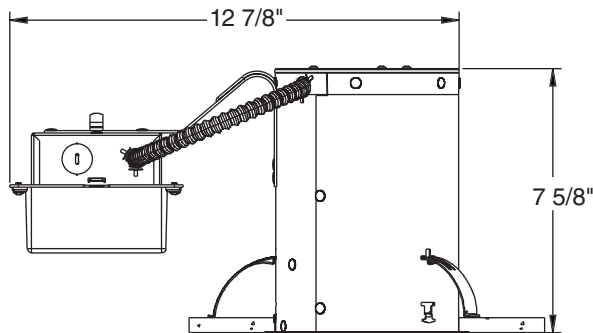
Listings

UL listed for damp and wet locations • UL and cUL • RoHS compliant • Wet location listed when used with 210, 212, 2130 and 5101 trims • ENERGY STAR® qualified to residential and commercial requirements for solid state recessed luminaires with baffle and cone trims

Ordering Information

Catalog Number: **IC20RLED-3K** - 3000K LED color temperature
Catalog Number: **IC20RLED-35K** - 3500K LED color temperature
Catalog Number: **IC20RLED-41K** - 4100K LED color temperature

Dimensions



Down-Lites



JUNO LIGHTING GROUP
by Schneider Electric

IC20RLED 5" Downlight Remodel Housing

IC Rated

ENERGY EFFICIENT

Juno



Features

- 5" Remodel housing
- Environmentally friendly, energy efficient
 - No harmful ultraviolet or infrared wavelengths
 - No lead or mercury
- Over 600 lumens using 14 watts input*
- 3000K, 3500K, or 4100K color temperatures available
- Rated for 50,000 hours at 70% lumen maintenance
- Cast aluminum heat sink ensures long LED life with superior thermal management
- Replaceable PC board with quick connector mounts directly to heat sink and incorporates the latest generation of high lumen output LEDs binned to Energy Star standards
- Computer-optimized internal reflector with specular finish coupled with a high transmission diffusing lens conceals the LEDs and produces uniform aperture luminance
- Universal voltage driver accommodates input voltages from 120 to 277 volts AC at 60Hz
- Driver is dimmable with the use of Juno qualified 120V electronic low voltage wall box dimmers
- Remodel springs accommodate up to 1 1/8" ceiling thickness
- Pre-wired junction box with (5) 1/2", (4) non-metallic sheathed cable connectors, and ground wire
- UL and cUL listed for daisy chaining
- Push-in electrical connectors included
- 3 year warranty
- For trim selection, see page 133

*Nominal input wattage at 120 volt operation



new

Description

IC rated dedicated LED, Air-Loc® sealed remodel housing with integral light engine for applications where the back side of the ceiling is not accessible

- Secured in place by factory installed remodel springs
- Can be completely covered with insulation
- When used with supplied ALG kit, stops infiltration and exfiltration of air, reducing heating and cooling costs
- LED housing is designed to provide 50,000 hours of life and is compatible with many standard Juno trims

Listings

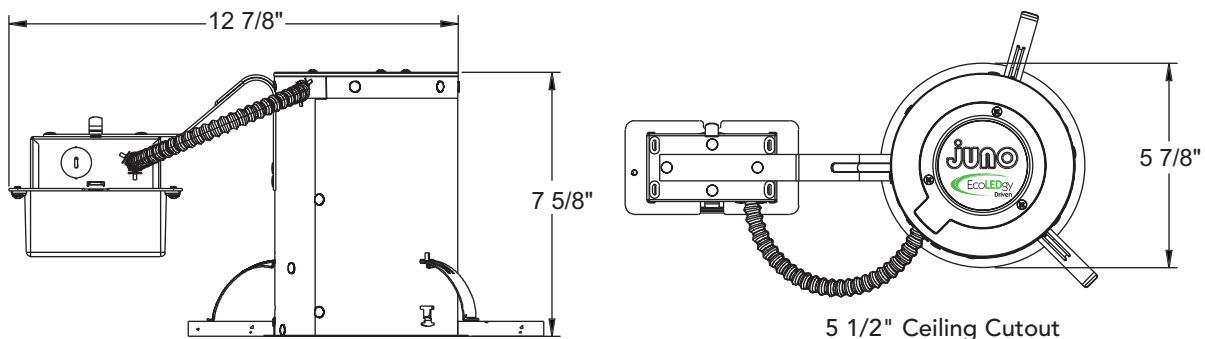
UL listed for damp and wet locations • UL and cUL • RoHS compliant • Wet location listed when used with 210, 212, 2130 and 5101 trims • ENERGY STAR® qualified to residential and commercial requirements for solid state recessed luminaires with baffle and cone trims

Commercial

Ordering Information

Catalog Number: IC20RLED-3K - 3000K LED color temperature
Catalog Number: IC20RLED-35K - 3500K LED color temperature
Catalog Number: IC20RLED-41K - 4100K LED color temperature

Dimensions



JUNO LIGHTING GROUP
by Schneider Electric