

IC2 Series 6" Incandescent Housing

IC Rated – High Wattage

Juno

AIR-LOC

Features

- 6" Deluxe housing
- Drop socket with spring to accommodate a wide variety of trim and lamp combinations
- Medium base porcelain socket with nickel-plated copper screw shell
- Housing is vertically adjustable to accommodate up to a 1" ceiling thickness
- Real Nail® 3 bar hangers: telescoping system with pre-installed removable nail for easy repositioning of housing in joist construction • Integral T-bar mounting feature for secure installation in suspended ceilings • Patented break-away bars for tight joist spacing • Bar hangers may be re-positioned 90° • Curved foot facilitates alignment with joist bottom • Quick-Loc slot and oversized set screw lock fixture in position
- Housing is fully assembled for ease of installation
- Pre-wired junction box with (5) 1/2" and (1) 3/4" knockouts with pryout slots, (4) non-metallic sheathed cable connectors, and ground wire
- Shadow-free, knife-edge trim design blends smoothly into the ceiling and allows architectural continuity with Aculux® trims
- UL Listed, C-UL/CSA certified for through-branch wiring, maximum (8) #12 AWG branch circuit conductors (4 in, 4 out)
- Thermally protected against improper use of lamps
- Lamp wattage ratings and apertures based on trim selection on pages 90-95



Description

IC rated 6" High wattage, energy efficient Air-Loc® double wall construction housing • Can be completely covered with insulation • Air-Loc installation stops infiltration and exfiltration of air, reducing heating and cooling costs

Listings

UL Listed, C-UL/CSA certified for through-branch wiring, damp and wet locations • Wet location listed with the 20, 21, 22, 239, 240, 241, 242, 243, and 9900 trims • The listing also includes the 28 and 29 trims, only when used with PAR30/PAR38 outdoor rated lamps • Washington State IECC and MEC energy codes as tested per ASTM-E283 • Conforms with City of Chicago IP requirements

Ordering Information

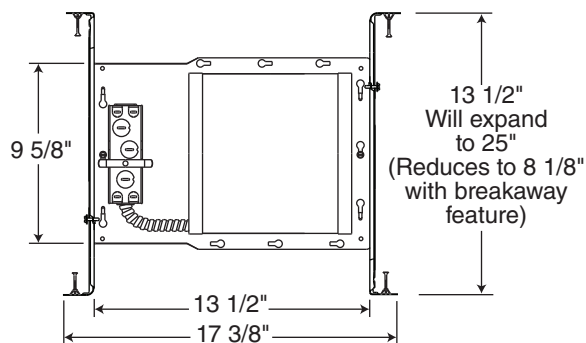
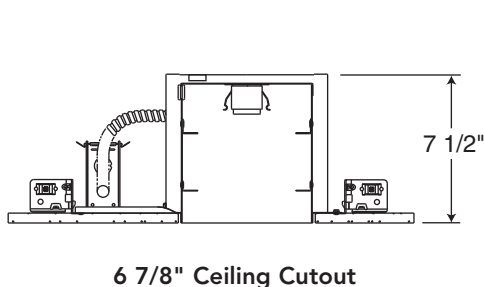
Catalog Number: **IC2**

Catalog Number: **IC2W** - IC2 with push-in electrical connectors for fast, secure installation

Accessories

Catalog Number	Description
ALG6	Air-Loc® Energy Conserving Gasket for 6" Air-Loc® IC housings

Dimensions



Down-Lites



JUNO LIGHTING GROUP
by Schneider Electric