



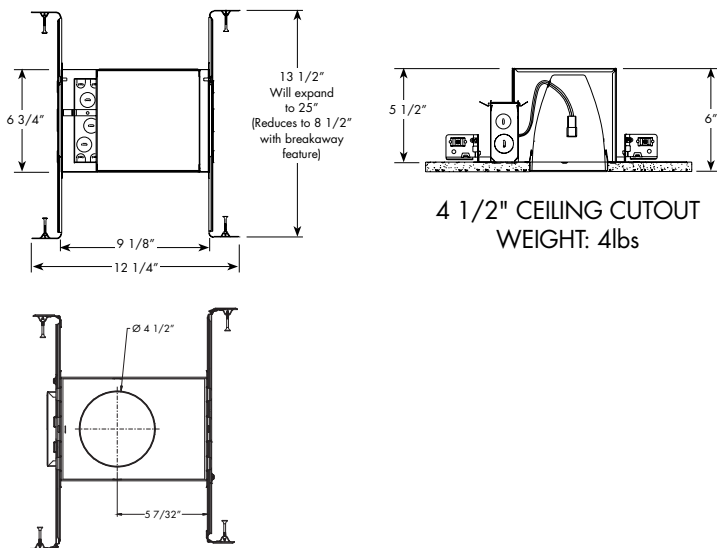
# FIREWALL™ LED Downlight Series

4" Fire-Rated Quick Connect LED Downlight  
New Construction

## IC1FW LEDT24 Series



### Dimensions



For use with compatible retrofit LED trims:

#### Downlight



#### Adjustable



Project:
Fixture Type:
Location:
Contact/Phone:

### Product Features

4" quick connect LED housing fire-rated downlight solution features non-screw base 120V plug-in connector for simple installation of Juno retrofit LED trim modules.

Patent pending integrated low smoke intumescent barrier

- Eliminates the need for installers to build additional boxes around fixtures to meet fire ratings
- Provides protection against the spread of heat and flames into the ceiling cavity for 1 hour and 2 hour fire ratings
- Reduces sound transmission between floors

Easy installation and servicing

- Low profile housing less than 6" in height
- Easy to handle compact size weighing only 4 lbs
- Installs into wood joists with Real Nail® 3 bar hangers

### Applications

- Residential and commercial applications including multi-family, hotels, assisted living, dormitories and other multi-level construction
- Shallow plenum, new construction
- IC rated - for direct contact with insulation

### Fire Resistance Specifications:

- Conforms to UL263, ASTM STD E119 and CAN/ULC-S101 US and Canadian installations
- May be used in fire resistance floor-ceiling and roof-ceiling designs per UL Fire Classified Directories CDHW and CDHW7
- 1 hour fire rated floor/ceiling and roof/ceiling gypsum assembly per UL Design No. L500 & P500
- 2 hour fire rated floor/ceiling gypsum assembly per UL Design No. L500, L505, L511, L536, L538, L541, L556, L577, M500, M510, M521 & M543

### Performance

Delivered Lumens	up to 1000L
LED Color Temperature	27K, 30K
CRI	90+
Voltage	Dedicated 120V
Dimming	Forward/Reverse Phase



# FIREWALL™ LED Downlight Series

4" Fire-Rated Quick Connect LED Downlight  
New Construction



## ORDERING INFORMATION - HOUSING

Catalog Number	
IC1FW LEDT24	4" Fire-rated Quick Connect LED IC New Construction Housing

## IC1FW LEDT24 - Compatible Downlight LED Trim Modules

RetroBasics Downlight  
Switchable



RetroBasics Switchable  
Adjustable



RetroBasics Smart  
Downlight



RetroBasics Smart  
Adjustable



E Series Downlight  
Switchable



E Series Downlight  
Static



4RLD Static  
Downlight



4G1 Static  
Adjustable



4RLA Static  
Adjustable



iGimbal Static  
Adjustable





## FIREWALL™ LED Downlight Series

4" Fire-Rated Quick Connect LED Downlight  
New Construction

### FireWall Housing Specifications

#### Housing

Designed for use in IC (insulated ceiling) or non-IC construction • Powder coated steel housing sealed for Air-Loc® compliance • Integrated patent pending continuous single layer low smoke intumescent barrier ships assembled in housing for fire resistance • Housing is vertically adjustable to accommodate up to a 1 ½" ceiling thickness

#### Electrical Connections

Features non-screw base 120V plug-in connector • Compatible with Juno retrofit LED trim modules

#### Junction Box

Pre-wired junction box provided with (6) ½" and (1) ¾" knockouts, (4) knockouts for 12/2 or 14/2 NM cable and ground wire • UL listed and cUL listed for through-branch wiring, maximum of 6 #12 branch circuit conductors • Junction box provided with removable access plates • Knock-outs equipped with pryout slots • Quick connect electrical connectors supplied as standard for fast, secure installation.

#### Mounting Frame

22-gauge die-formed galvanized steel mounting frame • Rough-in section (junction box, mounting frame, housing and bar hangers) fully assembled for ease of installation • Pre-installed flame resistant Air-Loc gasket applied to frame

#### Real Nail 3 Bar Hangers

Patented (US Patent D552,969) Real Nail® 3 bar hangers: telescoping system permits quick placement of housing any where within 24" O.C. joists • Includes removable nail for repositioning of fixture in wood joist construction

#### Certifications

Can be used to comply with 2019 Title 24 Part 6 JA8 high efficacy LED light source requirements • UL listed for U.S. and Canada through-branch wiring, damp locations • When used with RLD trim module, suitable for wet locations (indoor covered ceilings) • UL and cUL • Conforms to UL 263, ASTM STD E119 and CAN/ULC-S101 • May be used in fire resistance floor-ceiling and roof-ceiling designs per UL Fire Classified Directories CDHW and CDHW7 • ASTM E283 certified Air-Loc • STC/IIC sound rated

**Note:** Actual performance may differ as a result of end-user environment and application.

All values are design or typical values, measured under laboratory conditions at 25 °C.

Specifications subject to change without notice.