

## Weather Proof Cover - Plastic In-Use Weatherproof Cover, Double-Gang, Vrt, 4.75" Clear

Item WP1050



### PRODUCT DESCRIPTION

Plastic In-Use Weatherproof Covers are easy to install and include a gasket, mounting screws, base, cover assembly and inserts to meet the needs of a variety of applications.

### FEATURES

- ▶ Complies with 2020 NEC Article 314.15 for damp and wet locations
- ▶ UL Certified for Type 3R outdoor enclosures
- ▶ Meets requirements for cold impact testing: -60° F (-51° C)
- ▶ Heavy-duty UV stabilized polycarbonate cover, mounting base and inserts
- ▶ 1/8" (3 mm) thick neoprene gasket with slits for mounting screws
- ▶ Two inserts provided with all models for multiple installations
- ▶ Max cord size: (2) #14 AWG or (1) #12 AWG, WP1050 (2) #14 AWG or (1) #10 AWG
- ▶ Warranty: 1-year limited

### APPLICATIONS

- ▶ Receptacle Protection

### TECHNICAL DATA

#### General

Model Number	WP1050
Description	Plastic In-Use Weatherproof Cover, Double-Gang, Vrt, 4.75" Clear
UPC Code	078275028135
Brand	Intermatic
Country of Origin (Intermatic)	MEXICO
Warranty Period	1-Year limited

#### Mechanical Specifications

Number of Included Inserts	2
Insert Types Included	WP102; WP107
Hinge Direction	Vertical
Is Extra-Duty Rated	No

#### Dimensions

Product Dimensions (H x W x D) in	6 x 5 x 4.75 in
Accepted Cord Size Max	2x14 AWG; 1x10 AWG
Box Type	Double

#### Material Specifications

Color	Clear
Weatherproof Cover Material	UV Stabilized Plastic

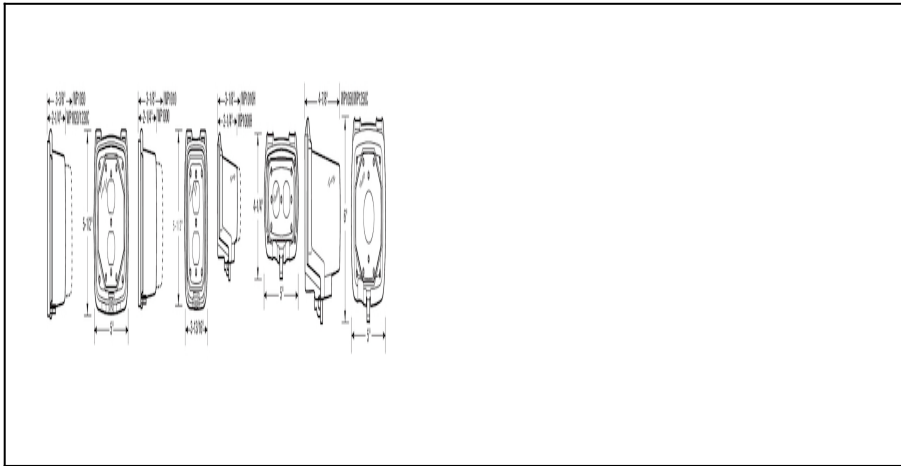
#### Packaging

Shipping Weight (lbs)	0.899
Unit Carton Dimensions (H x W x L) in	5.5 x 5 x 6.25 in

### Standards and Certifications

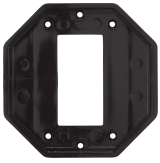
UL Certification	cULus
California Proposition 65	None
RoHS Certification	N/A

**DRAWINGS AND DIAGRAMS**

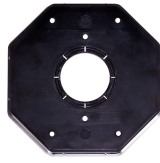


---

## ACCESSORIES



WP102  
Double-Gang GFCI Insert



WP107  
Double-Gang Round Insert, 1 3/8", 1 5/8", 1 3/4"