

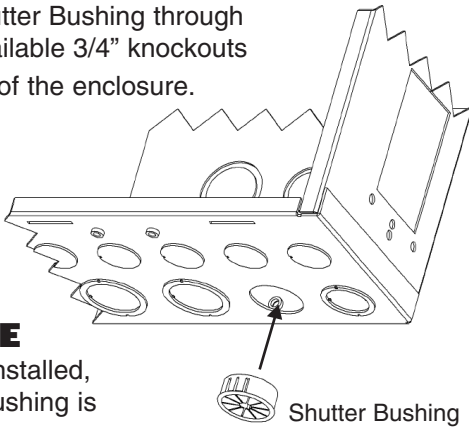
CLASS 2 WIRING ISOLATION KIT

INSTRUCTION SHEET

INTRODUCTION – The installation of this Intermatic Class 2 Wiring Isolation kit is only necessary when the mechanism being installed in an Intermatic panel requires its low voltage accessory wiring or cords to route through the high voltage compartment of the panel. NEC, UL & CSA requires a double barrier of insulation between high and low voltage wiring when both are present in the same compartment, and this Class 2 Wiring Isolation Kit satisfies the requirements for separation of circuit in the UL, CSA, and NEC standards. The corrugated tubing provides this double barrier once installed over the low voltage accessory wiring or cords. If a low voltage raceway is provided with the Intermatic panel or no low voltage accessories are to be installed, this Isolation Kit is not required. If present, always use the low voltage raceway in place of the corrugated tubing for all low voltage accessory wires or cords. Please follow the below instructions carefully when installing this kit.

Step #1

Install the Shutter Bushing through one of the available 3/4" knockouts at the bottom of the enclosure.

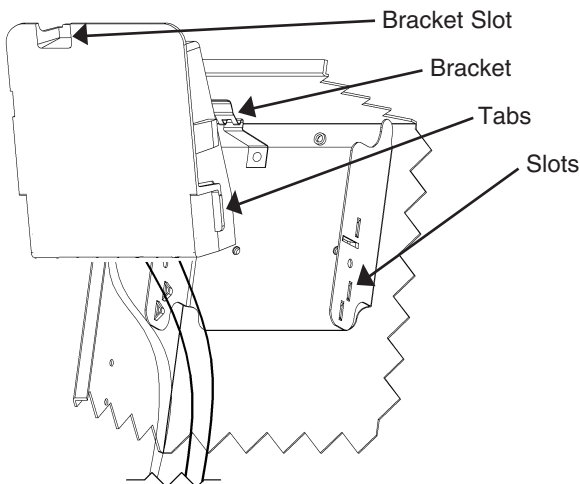


NOTE

If conduit is installed, the shutter bushing is not necessary.

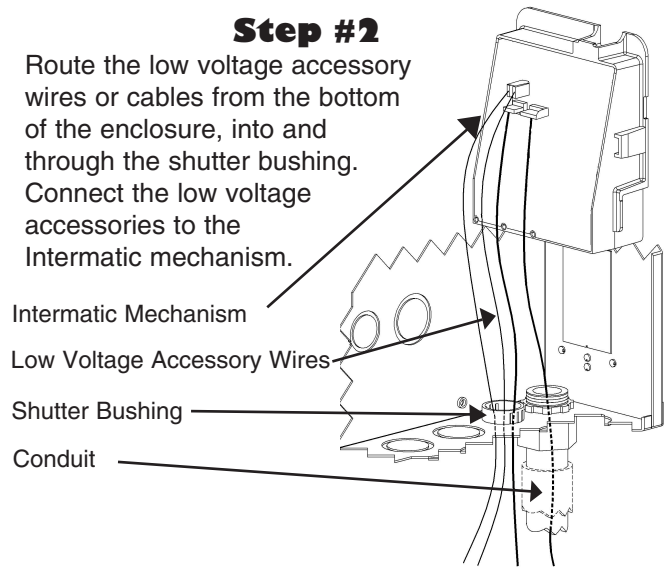
Step #3

Rotate the mechanism until the Tabs line up with the slots. Slide the bottom half of the mechanism into the slots, and push the top half into the bracket until the mechanism snaps into the bracket slot.



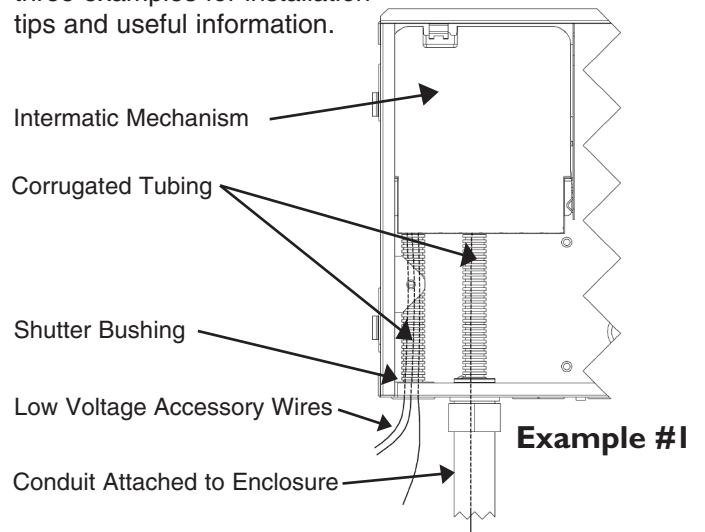
Step #2

Route the low voltage accessory wires or cables from the bottom of the enclosure, into and through the shutter bushing. Connect the low voltage accessories to the Intermatic mechanism.



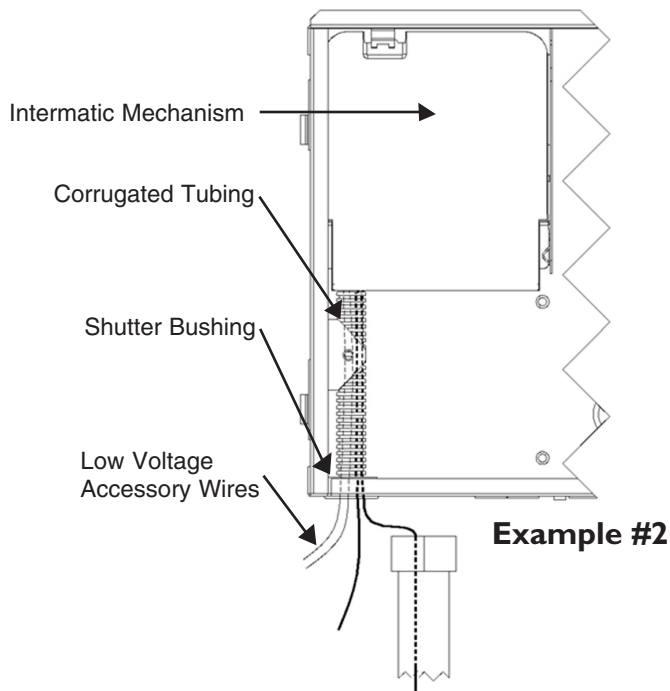
Step #4 (Example #1)

Cut the tubing to the correct length. The tubing should extend completely from the bottom of the enclosure to the bottom of the mechanism. Install the corrugated tubing over the low voltage accessory wires and/or cords. Depending on which Intermatic enclosure and mechanism you have, it may be necessary to refer to the following three examples for installation tips and useful information.



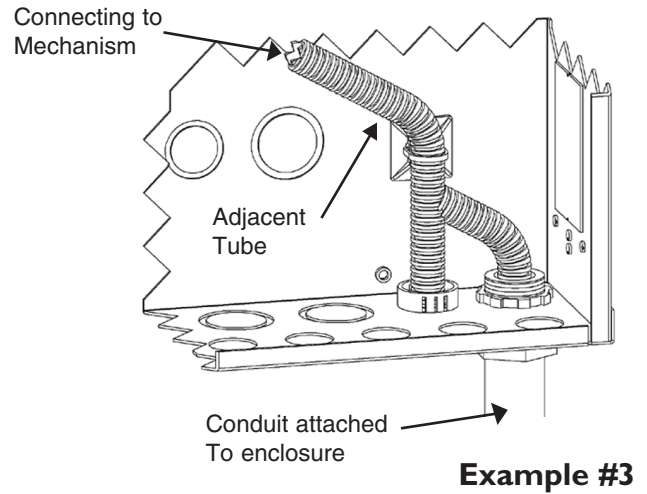
Step #4 (Example #2)

If the conduit for the low voltage accessory is not attached to the bottom of the enclosure or the low voltage accessories do not require conduit, only one corrugated tube may be necessary for your installation.



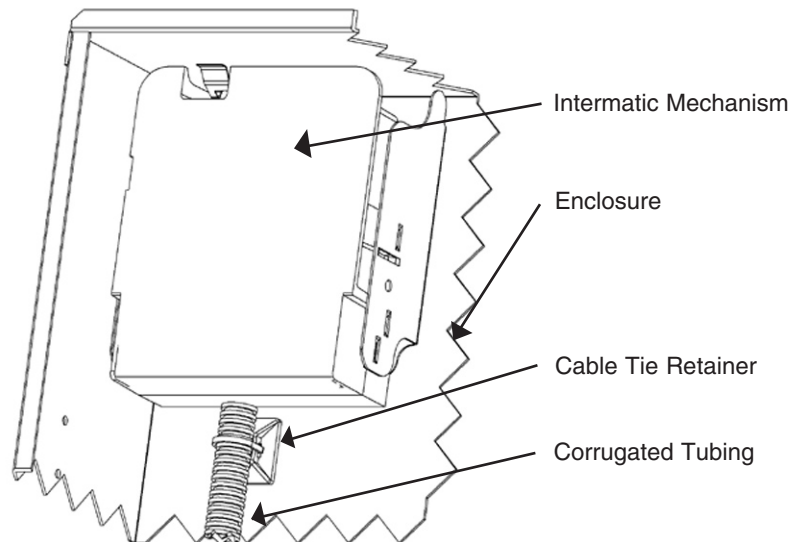
Step #4 (Example #3)

If there is not enough corrugated tubing available in the kit to install two separate tubes, a splice connecting one tube to the adjacent tube is acceptable.



Step #5

Included in the kit is a Cable Tie Retainer. Use this retainer to secure the top of the corrugated tubing to the back of the intermatic enclosure, as close to the bottom of the mechanism as possible.



INTERMATIC INCORPORATED

<http://www.intermatic.com>

7777 Winn Road, Spring Grove, Illinois 60081-9698