

Surge Strip Protection Device - Surge Protective Device, Point-of-use Strip, White, 3-Mode, 6 Outlets, 125 VAC, Type 3, Connected Equipment Warranty 5 yr \$10,000

Item IG112663



PRODUCT DESCRIPTION

Type 3 Point-of-Use Surge Protective Devices (SPD) are designed for heavy industrial use with 3 modes of surge protection (L-N, L-G, N-G). Features a 15 A resettable breaker and #14 AWG SJT power cord with molded plug. CSA certified to ANSI/UL 1449, 3rd Edition.

FEATURES

- ▶ Three Modes of protection
- ▶ Metal Oxide Varistor (MOV) surge protection technology
- ▶ 15 A resettable breaker
- ▶ #14 AWG SJT power cord with molded plug
- ▶ Six foot cord length with six outlets
- ▶ LED protection indicator
- ▶ Extruded aluminum housing
- ▶ White
- ▶ Illuminating ON/OFF Switch
- ▶ 5-year product warranty

APPLICATIONS

- ▶ Surge Protection

TECHNICAL DATA

General

Model Number	IG112663
Description	Surge Protective Device, Point-of-use Strip, White, 3-Mode, 6 Outlets, 125 VAC, Type 3, Connected Equipment Warranty 5 yr \$10,000
UPC Code	078275124547
Brand	Intermatic
Country of Origin (Intermatic)	MEXICO
Warranty Period	5-Year limited
Connected Equipment Warranty Period	5-Year

Control Specifications

Surge Protection Type	3
Has Illuminated ON/OFF Switch	Yes

Mechanical Specifications

Number of Outlets	6
-------------------	---

Dimensions

Product Dimensions (H x W x D) in	1 7/8 x 1 7/8 x 12 1/2 in
Cord Length (ft)	6
Cord Length (m)	1.828

Material Specifications

Color	White
-------	-------

Electrical Specifications

Maximum Continuous Operating Voltage (L-G)	130
Maximum Continuous Operating Voltage (L-N)	130
Maximum Continuous Operating Voltage (N-G)	130
Voltage Protection Rating (L-N)	700
Circuit Breaker Amperage	15 A
Voltage Protection Rating (L-G)	600
Surge Protection Technology	MOV
Voltage Protection Rating (N-G)	600

Packaging

Shipping Weight (lbs)	2.744
Unit Carton Dimensions (H x W x L) in	2.751 x 5.001 x 15.251 in

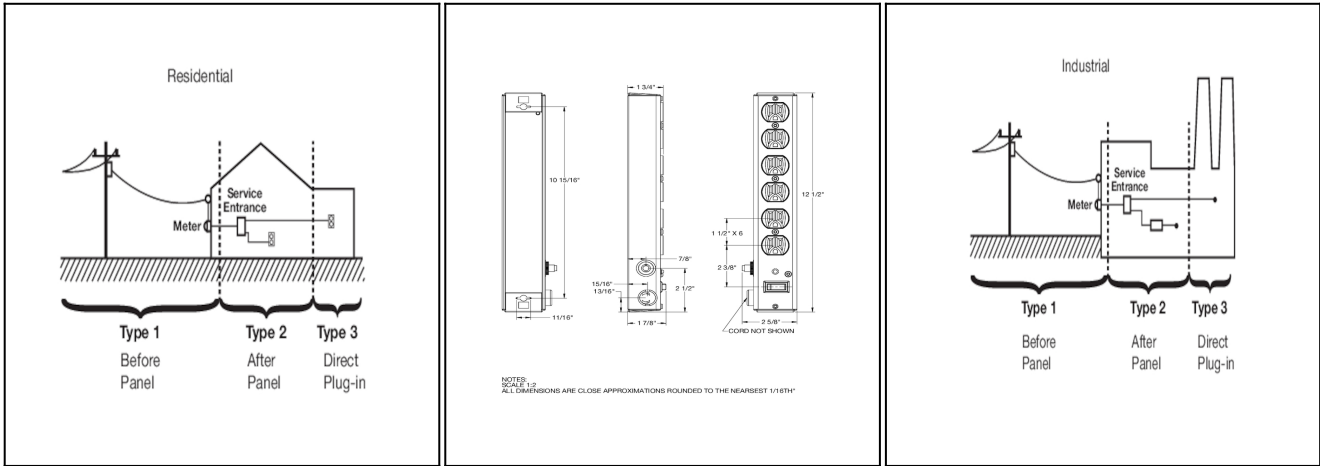
Environmental Specifications

Temperature (operation)	-4 °F to 104 °F / (-20 °C to 40 °C)
-------------------------	-------------------------------------

Standards and Certifications

CSA Certification	cCSAus
UL Standard	Ansi/UL 1449 3rd Edition
California Proposition 65	DEHP

DRAWINGS AND DIAGRAMS



ACCESSORIES



24EG5133

Mounting Bracket Plate for Type 3 SPD Surge Strips