

## Photocontrol - NIGHTFOX Top Lens Stem and Swivel Mount Electronic Photocontrol, 120-277 V

Item EK4736S



### PRODUCT DESCRIPTION

NIGHTFOX electronic photocontrols permanently install on outdoor electrical boxes or outdoor lighting fixtures. Ideal for LED fixtures with long-life expectations. 1/2"-14 NPSM threaded stem fits standard outlet boxes and wall packs with a minimum installation hole size of 7/8" diameter. Come with 9" wire leads.

### FEATURES

- ▶ Non-drift silicon light sensor with IR filter
- ▶ DC relay with zero-crossing circuitry for extended life
- ▶ Conformal coated PCB
- ▶ 15-year design life
- ▶ Exceeds 10,000 ON/OFF switching cycles
- ▶ Fail ON mode
- ▶ Ideal for single or multifixture HID and LED installations (up to 1,650 W @ 277 VAC)
- ▶ 255 J MOV surge protection element
- ▶ 1/2"-14 NPSM threaded stem fits standard outlet boxes and wall packs for a minimum installation hole size of 7/8 inch diameter
- ▶ #18 AWG wire leads

### APPLICATIONS

- ▶ Outdoor Lighting Control

### TECHNICAL DATA

General	
Model Number	EK4736S
Description	NIGHTFOX Top Lens Stem and Swivel Mount Electronic Photocontrol, 120-277 V
UPC Code	078275146310
Brand	Intermatic
Country of Origin (Intermatic)	MEXICO
Warranty Period	8-Year limited

Control Specifications	
Sensor Time Delay	Instant ON; 2 sec to 5 sec OFF
Photocell Type	Silicon Diode
Photo Control Switch Type	Relay
Fail Mode	ON
Activation On	1.5 fc
Activation Off	4.5 fc
Photocontrol Type	Electronic
Application Compatibilities	LED; Incandescent; HID
Photocontrol Style	Stem and Swivel Mount
Photocontrol Sensor Location	Top

Dimensions	
Product Height (in)	5.625
Product Height (mm)	142.9
Product Width (in)	1.3125

Product Width (mm)	33.3
Product Depth (in)	1.25
Product Depth (mm)	31.8
Wire Lead Length (in)	6
Wire Lead Length (mm)	152.4
Wire Size Max	#18 AWG

#### Material Specifications

Cover Color	Gray
Housing Material	Polycarbonate

#### Load Ratings

Tungsten Range(s)	1000 W
Ballast Fluorescent Ranges	1800 VA
Electronic Ballast Load Ratings Ranges	6 A, 120-277 VAC, 50/60 Hz

#### Electrical Specifications

Wiring Option	Wire leads
Input Voltage Range(s)	120-277 VAC, 50/60 Hz (Nominal Voltage)
Operating Voltage Range(s)	102-305 VAC
Surge Protection Technology	255 J MOV, 5,000 A Surge

#### Packaging

Shipping Weight (lbs)	0.28
Unit Carton Dimensions (H x W x D) in	4.875 x 3 x 1.75 in

#### Operating Specifications

Expected Lifetime (Years)	15
Expected Lifetime (Operations)	10000

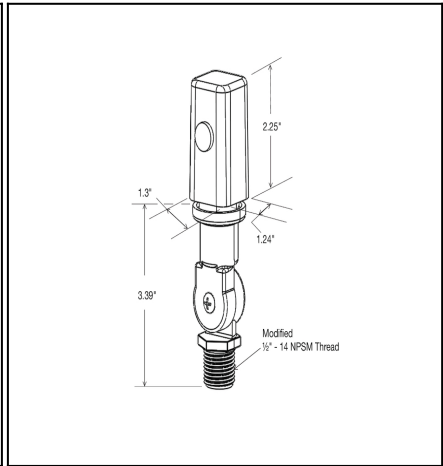
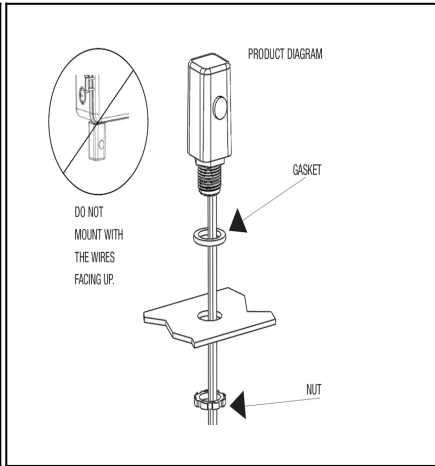
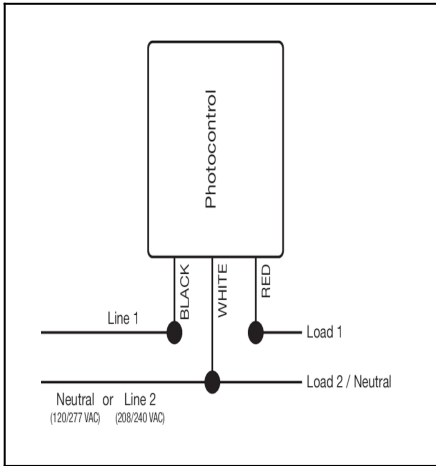
#### Environmental Specifications

Temperature (operation)	-40°C..70°C
Usage Environments	Outdoor

#### Standards and Certifications

UL Certification	cULus
Other Certifications and Compatibilities	Title 20; Ansi C136.24
California Proposition 65	DEHP
RoHS Certification	Yes

### DRAWINGS AND DIAGRAMS



---

## ACCESSORIES



6LV1352  
Light Shield Accessory for EK4036S, EK4436SM, K4000 Series Button Photocontrols



K43-WP-KIT  
Wall Plate Kit for EK4036S, K4000 Series Button Photocontrols



LGLBL  
Lens Sticker Accessory for EK4000 & K4000 Series Photocontrols