

Photocontrol - NIGHTFOX Stem and Swivel Mount Electronic Photocontrol, 480 V

Item EK4235S



PRODUCT DESCRIPTION

NIGHTFOX electronic photocontrols permanently install on outdoor electrical boxes or outdoor lighting fixtures. Ideal for LED fixtures with long-life expectations. 1/2"-14 NPSM threaded stem fits standard outlet boxes and wall packs with a minimum installation hole size of 7/8" diameter. Come with 9" wire leads.

FEATURES

- ▶ Non-drift silicon light sensor with IR filter
- ▶ DC relay with zero-crossing circuitry for extended life
- ▶ Conformal coated PCB
- ▶ 15-year design life
- ▶ Exceeds 10,000 ON/OFF switching cycles
- ▶ Fail ON mode
- ▶ Ideal for single or multifixture HID and LED installations
- ▶ 220 J MOV surge protection element
- ▶ 1/2"-14 NPSM threaded stem fits standard outlet boxes and wall packs for a minimum installation hole size of 7/8 inch diameter
- ▶ #18 AWG wire leads

APPLICATIONS

- ▶ Outdoor Lighting Control

TECHNICAL DATA

General

Model Number	EK4235S
Description	NIGHTFOX Stem and Swivel Mount Electronic Photocontrol, 480 V
UPC Code	078275152410
Brand	Intermatic
Country of Origin (Intermatic)	MEXICO
Warranty Period	8-Year limited

Control Specifications

Sensor Time Delay	Instant ON; 2 sec to 5 sec OFF
Photocell Type	Silicon Diode
Photo Control Switch Type	Relay
Fail Mode	ON
Activation On	1.5 fc
Activation Off	4.5 fc
Photocontrol Type	Electronic
Application Compatibilities	LED; Incandescent; HID
Photocontrol Style	Stem and Swivel Mount
Photocontrol Sensor Location	Side

Dimensions

Product Height (in)	5.625
Product Height (mm)	142.9
Product Width (in)	1.3125

Product Width (mm)	33.3
Product Depth (in)	1.25
Product Depth (mm)	31.8
Wire Lead Length (in)	6
Wire Lead Length (mm)	152.4
Wire Size Max	#18 AWG

Material Specifications

Cover Color	Gray
Housing Material	Polycarbonate

Load Ratings

Tungsten Range(s)	1000 W
Ballast Fluorescent Ranges	1800 VA
Electronic Ballast Load Ratings Ranges	0.35 A (Tested with 150 W 480 V LED driver with 120 Apk /100µs In-rush current)

Electrical Specifications

Wiring Option	Wire leads
Input Voltage Range(s)	480 VAC, 50/60 Hz
Surge Protection Technology	220 J MOV, 5,000 A Surge

Packaging

Shipping Weight (lbs)	0.28
Unit Carton Dimensions (H x W x D) in	4.875 x 3 x 1.75 in

Operating Specifications

Expected Lifetime (Years)	15
Expected Lifetime (Operations)	10000

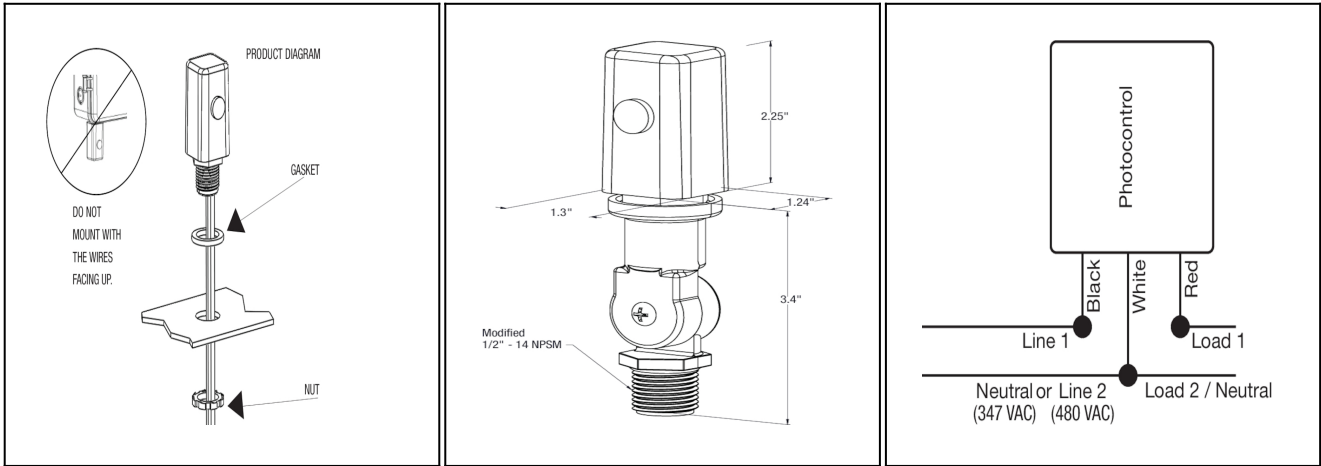
Environmental Specifications

Temperature (operation)	-40°C..70°C
Usage Environments	Outdoor

Standards and Certifications

UL Certification	cULus
Other Certifications and Compatibilities	Title 20; Ansi C136.24
California Proposition 65	Nickel; DEHP
RoHS Certification	No

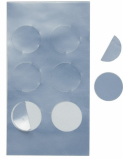
DRAWINGS AND DIAGRAMS



ACCESSORIES



22LG0120
Light Guard Accessory for EK4000 Series Electronic Fix Mount
Photocontrols



LGLBL
Lens Sticker Accessory for EK4000 & K4000 Series Photocontrols