

## Photocontrol - NIGHTFOX Stem Mount Electronic Photocontrol, 347 V

Item EK4127S



### PRODUCT DESCRIPTION

NIGHTFOX electronic photocontrols permanently install on outdoor electrical boxes or outdoor lighting fixtures. Ideal for LED fixtures with long-life expectations. 1/2"-14 NPSM threaded stem fits standard outlet boxes and wall packs with a minimum installation hole size of 7/8" diameter. Come with 9" wire leads.

### FEATURES

- ▶ Non-drift silicon light sensor with IR filter
- ▶ DC relay with zero-crossing circuitry for extended life
- ▶ Conformal coated PCB
- ▶ 15-year design life
- ▶ Exceeds 10,000 ON/OFF switching cycles
- ▶ Fail ON mode
- ▶ Ideal for single or multifixture HID and LED installations
- ▶ 220 J MOV surge protection element
- ▶ 1/2"-14 NPSM threaded stem fits standard outlet boxes and wall packs for a minimum installation hole size of 7/8 inch diameter
- ▶ #18 AWG wire leads

### APPLICATIONS

- ▶ Outdoor Lighting Control

### TECHNICAL DATA

#### General

Model Number	EK4127S
Description	NIGHTFOX Stem Mount Electronic Photocontrol, 347 V
UPC Code	078275152373
Brand	Intermatic
Country of Origin (Intermatic)	MEXICO
Warranty Period	8-Year limited

#### Control Specifications

Sensor Time Delay	Instant ON; 2 sec to 5 sec OFF
Photocell Type	Silicon Diode
Photo Control Switch Type	Relay
Fail Mode	ON
Activation On	1.5 fc
Activation Off	4.5 fc
Photocontrol Type	Electronic
Application Compatibilities	LED; Incandescent; HID
Photocontrol Style	Stem Mount
Photocontrol Sensor Location	Side

#### Dimensions

Product Height (in)	2.25
Product Height (mm)	57.2
Product Width (in)	1.3125

Product Width (mm)	33.3
Product Depth (in)	1.25
Product Depth (mm)	31.8
Wire Lead Length (in)	6
Wire Lead Length (mm)	152.4
Wire Size Max	#18 AWG

#### Material Specifications

Cover Color	Gray
Housing Material	Polycarbonate

#### Load Ratings

Tungsten Range(s)	1000 W
Ballast Fluorescent Ranges	1800 VA
Electronic Ballast Load Ratings Ranges	2 A

#### Electrical Specifications

Wiring Option	Wire leads
Input Voltage Range(s)	347 VAC, 50/60 Hz
Surge Protection Technology	220 J MOV, 5,000 A Surge

#### Packaging

Shipping Weight (lbs)	0.215
Unit Carton Dimensions (H x W x D) in	4.875 x 3 x 1.75 in

#### Operating Specifications

Expected Lifetime (Years)	15
Expected Lifetime (Operations)	10000

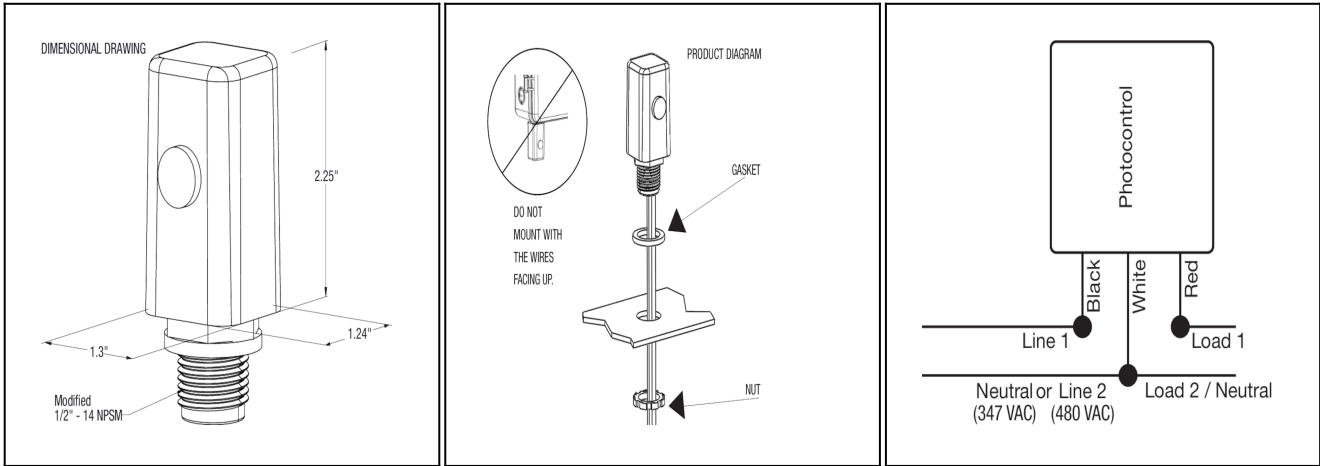
#### Environmental Specifications

Temperature (operation)	-40°C..70°C
Usage Environments	Outdoor

#### Standards and Certifications

UL Certification	cULus
Other Certifications and Compatibilities	Ansi C136.24
California Proposition 65	Nickel; DEHP
RoHS Certification	No

### DRAWINGS AND DIAGRAMS

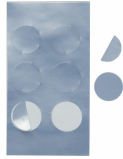


---

## ACCESSORIES



22LG0120  
Light Guard Accessory for EK4000 Series Electronic Fix Mount  
Photocontrols



LGLBL  
Lens Sticker Accessory for EK4000 & K4000 Series Photocontrols