



## INSTALLATION INSTRUCTIONS



ALC-WM-BT

### COMPLIANCE

This device complies with part 15 of the FCC. Operation is subject to the following two conditions: (1) this device may not cause harmful interference, and (2) this device must accept any interference received, including interference that may cause undesired operation.

**FCC NOTE:** The manufacturer is not responsible for any radio or TV interference caused by unauthorized modifications to this equipment. Such modifications could void the user's authority to operate the equipment.

**NOTE:** This equipment has been tested and found to comply with the limits for a Class B digital device, pursuant to Part 15 of the FCC Rules. These limits are designed to provide reasonable protection against harmful interference in a residential installation. This equipment generates, uses and can radiate radio frequency energy and, if not installed and used in accordance with the instructions may cause harmful interference to radio communications. However, there is no guarantee that interference will not occur in a particular installation. If this equipment does cause harmful interference to radio or television reception, which can be determined by turning the equipment off and on, the user is encouraged to try to correct the interference by one or more of the following measures:

- Reorient or relocate the receiving antenna.
- Increase the separation between the equipment and receiver.
- Connect the equipment into an outlet on a circuit different from that to which the receiver is connected.
- Consult the dealer or an experienced radio/TV technician for help.

**Important note:** To comply with the FCC RF exposure compliance requirements, no change to the antenna or the device is permitted. Any change to the antenna or the device could result in the device exceeding the RF exposure requirements and void user's authority to operate the device.

This Class B digital apparatus complies with ICES-005 of Canada.



**ARISTA®**

**ALC-WM-BT**  
PIR Wall/Corner Mount  
Occupancy Sensor

### WARNINGS/SAFETY

**⚠ WARNING**

Risk of Fire or Electric Shock

- Turn OFF power at circuit breaker or fuse and test that the power is OFF before wiring.
- To be installed and/or used in accordance with appropriate electrical codes and regulations.
- If you are not sure about any part of these instructions, consult a qualified electrician.
- Use this device only with copper or copper clad wire.
- INDOOR USE ONLY

**NOTICE**

Dispose of product per local regulations on the disposal of lithium batteries.

**NOTE:** When using 24 VDC, use Class 2 low voltage wiring.

### RATINGS:

Voltage - 24 VDC, 30mA or Lithium CR123A 3 V Battery

Dry Location

Ambient Operating temperature - 0° - 40° C (32° - 104° F)

PIR Coverage - Up to 1200 ft<sup>2</sup>

Wiring Terminals are suited for 16-22 AWG wire with a maximum length of 200 ft. 18 AWG solid wire is recommended.

### PRODUCT OVERVIEW:

The ALC-WM-BT is a Passive Infrared Sensor designed for use with the ARISTA® Lighting Controls System by Intermatic and will control lighting based upon occupancy/vacancy. If the space is configured for occupancy and movement is detected, the sensor informs the ARISTA controller(s) in the space and the lights will illuminate. The light will turn OFF after the sensors deem the room vacant and the timeout period expires. If the space is configured for vacancy, the ARISTA controller(s) in the space will only react when they are manually activated. The lights will turn off after the ALC-WM-BT deems the space vacant and the timeout period expires.

**NOTES:** For Programming instructions please visit [www.Intermatic.com](http://www.Intermatic.com). The Arista App is available on Apple App and Google Play stores. (Search for Arista by Intermatic)

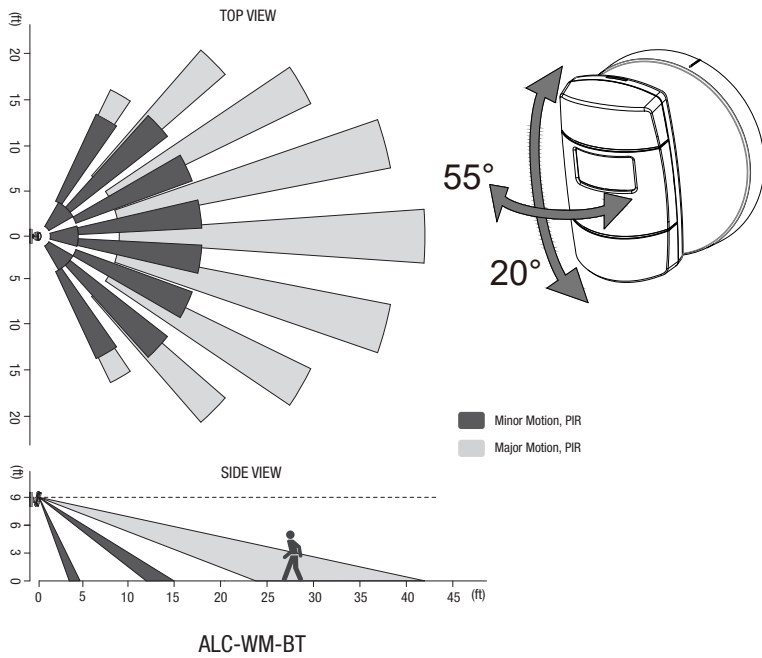


Figure 1

## WIRING DIAGRAM AND MOUNTING OPTIONS

Select from the mounting options below. To wire the sensor to the ARISTA controller, follow the wiring diagram seen in Figure 2 (communication wire is optional). If you are not wiring the sensor, insert battery and mount the sensor.

**NOTE:** If using battery, make sure the switch is in the Battery position, If wired to controller terminals, select 24VDC switch position.

Wire from Terminal on ARISTA Controller	To Terminal on Occupancy Sensor
24 VDC	24 VDC
COM (Common)	COM (Common)
DI (Digital Input)	DO (Digital Output)

**NOTE:** Wired units must be powered from Intermatic ARISTA controllers.

**Option 1** - Mount to a square to round drywall ring (see Figure 4)

**NOTE:** this will require the use of the surface mount adapter

1. Install 8/32 screws into the box leaving approximately 1/4" to 3/8" of space between ring and screw head.
2. Install the mounting adapter to the electrical box. Only tighten screws until snug. DO NOT OVER TIGHTEN.
3. Insert the sensor into the mounting plate. Twist and lock it into place.

**Option 2** - Mount to a 4" octagon box (see Figure 5)

1. Loosen screws on the octagon box.
2. Install the mounting adapter to the electrical box. Only tighten screws until snug. DO NOT OVER TIGHTEN.
3. Insert the sensor into the mounting plate. Twist and lock it into place.

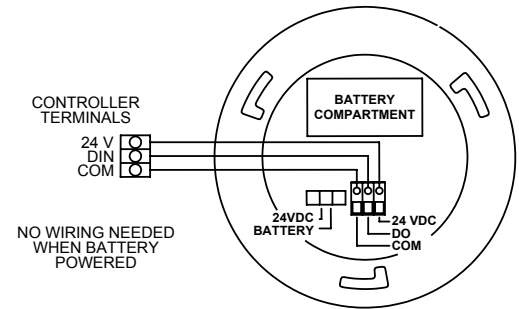


Figure 2

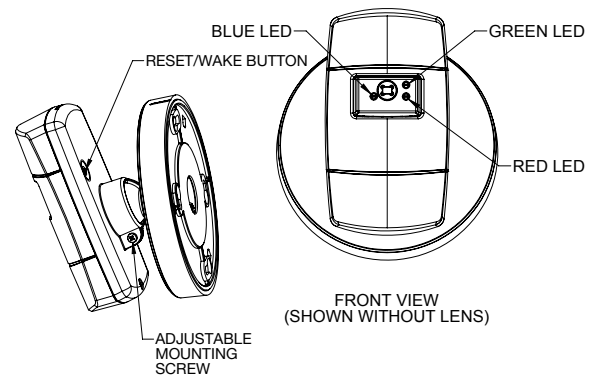


Figure 3

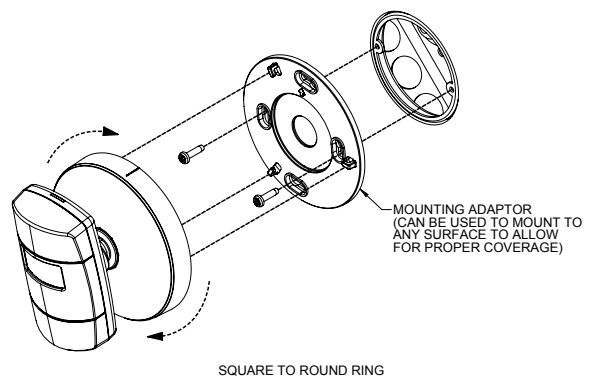


Figure 4

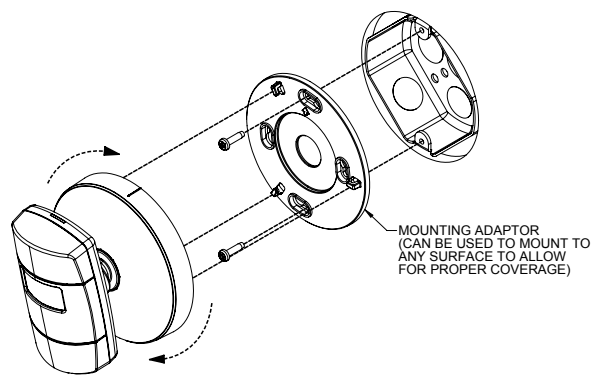


Figure 5

## TROUBLESHOOTING

Symptom	Solution
During installation, the ARISTA Mobile App can't find the sensor when scanning for devices in the area	<p><b>24 V Powered</b></p> <ul style="list-style-type: none"> <li>Verify power is supplied to the sensor</li> <li>Verify the switch on the back of the sensor is in the 24 V position</li> <li>Make sure the Blue LED is blinking slowly. If not, the sensor could already be provisioned into another area. If this is incorrect, factory reset the device by pressing and holding the reset button for more than 10 seconds</li> <li>Make sure the phone/tablet and sensor are within 30 feet of each other</li> <li>Verify Bluetooth Radio of programming device is turned ON</li> </ul> <p><b>Battery Powered</b></p> <ul style="list-style-type: none"> <li>Verify the switch on the back of the sensor is in the battery position</li> <li>Verify good battery; and good installation of battery</li> <li>Make sure the Blue LED is blinking slowly. If not, the sensor may be asleep (to conserve battery). To wake up a sleeping sensor, press the button (for less than 5-seconds)</li> <li>Verify Bluetooth Radio of programming device is turned ON</li> </ul>
Sensor is energizing the lights without motion being detected in the space	<p><b>24 V or Battery Powered</b></p> <ul style="list-style-type: none"> <li>Verify zone configuration using the ARISTA Mobile App is correct</li> <li>Verify sensor configuration (i.e. – wired vs. wireless)</li> <li>Sensitivity may be set too high. Using the ARISTA Mobile App, lower the sensors sensitivity setting</li> <li>Change mounting location</li> <li>Sensor mounted next to HVAC vent or other heat-emitting source, move sensor.</li> </ul>
	<p><b>24 V Powered</b></p> <ul style="list-style-type: none"> <li>Verify power is supplied to the sensor</li> <li>Verify the switch on the back of the sensor is in the 24 V position</li> <li>If Blue LED is blinking slow, the sensor hasn't been provisioned into the zone using the ARISTA Mobile App and will not operate properly</li> <li>Verify the sensor is detecting motion by walking underneath the sensor and verifying the Green LED blinks briefly</li> <li>Sensitivity setting may be set too low. Using the ARISTA Mobile App, increase the sensors sensitivity setting</li> <li>Verify sensor configuration (i.e. – wired vs. wireless)</li> <li>Verify sensor configuration (i.e. – time delay)</li> <li>Change mounting location</li> </ul> <p><b>Battery Powered</b></p> <ul style="list-style-type: none"> <li>Check batteries</li> <li>Verify the sensor is detecting motion by walking underneath the sensor and verifying the Green LED blinks briefly</li> <li>Sensitivity setting may be set too low. Using the ARISTA Mobile App, increase the sensors sensitivity setting</li> </ul>
Sensor's Red LED is blinking once every 30 seconds	<p><b>Battery Powered</b></p> <ul style="list-style-type: none"> <li>Replace battery</li> </ul>
Sensor's Red LED is on solid	<p><b>24 V or Battery Powered</b></p> <ul style="list-style-type: none"> <li>Replace Sensor</li> </ul>
Sensor is de-energizing the lights while still in the space	<p><b>24 V or Battery Powered</b></p> <ul style="list-style-type: none"> <li>Change mounting location</li> <li>Sensitivity setting may be set too low. Using the ARISTA Mobile App, increase the sensors sensitivity setting</li> </ul>
Sensor leaves the lights energized after having left the space	<p><b>24 V or Battery Powered</b></p> <ul style="list-style-type: none"> <li>Verify sensor configuration (i.e. – time delay)</li> </ul>

#### **LIMITED WARRANTY**

Warranty service is available by either (a) returning the product to the dealer from whom the unit was purchased or (b) completing a warranty claim online at **[www.intermatic.com](http://www.intermatic.com)**. This warranty is made by: Intermatic Incorporated, 1950 Innovation Way, Suite 300, Libertyville, IL 60048.

For additional product or warranty information go to: <http://www.intermatic.com> or call 815-675-7000.