

Model AG65033/AG6503C3/AG6503L3

Type 1 or Type 2 Surge Protection Device (SPD)

## IMPORTANT SAFETY INSTRUCTIONS • SAVE THESE INSTRUCTIONS

### ⚠ WARNING Risk of Fire or Electric Shock

- Disconnect power at the circuit breaker(s) or disconnect switch(es) before installing or servicing.
- Intended for indoor or outdoor use.
- Installation and/or wiring must be in accordance with national and local electrical code and/or Canadian Electrical Code requirements.
- Installation and service to be performed by a qualified licensed technician or electrician.
- Suitable for use on a circuit capable of delivering not more than 50,000 rms symmetrical amperes.
- This unit contains no serviceable parts.

### ⚠ AVERTISSEMENT Risque d'incendie ou de choc électrique

- L'installation et/ou le câblage doivent être conformes aux exigences du code de l'électricité local en vigueur et/ou du Code canadien de l'électricité.
- L'installation et l'entretien doivent être effectués par un technicien ou électricien qualifié.
- Convient à un circuit capable de fournir PAS plus de 50 000 A efficaces symétriques.
- Cet appareil ne contient aucune pièce réparable.

### NOTICE

- Thoroughly read instructions before installing SPD Unit.
- This product does not protect against lightning strikes.

#### Type 1 installation:

A typical installation of a type 1 SPD will be connected between the secondary of the service transformer and the line side of the service panel. This installation is intended to be installed without overcurrent protection to the SPD.

#### Type 2 installation:

A typical installation of a type 2 SPD will be connected to the load side of the service panel and is intended to be installed with overcurrent protection to the SPD.

##### 1. Determining location:

- Ensure conductor lengths are as short and straight as possible for best performance. Do not coil excess wire. The SPD functions best if all bends in wires are rounded, ideally to a 4" radius. Hard 90 degree bend will reduce efficiency. Cut all leads to the correct length. Do not coil excess leads.
- Install appropriate weatherproof fittings if the unit is to be mounted outside.
- Bracket part number AG1BRKT is also available if needed.

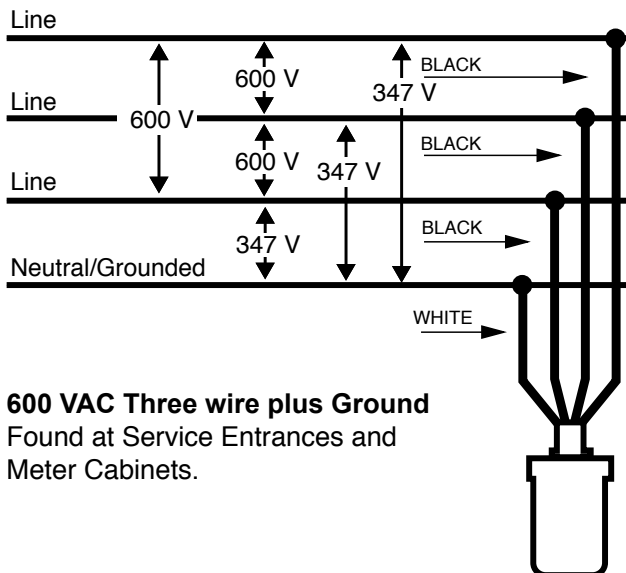
##### 2. Connect wires as shown within diagrams. If your application does not match one of the diagrams below consult your supplier.

##### 3. Ensure all mounting and electrical connections are correct and securely fastened. Once energized the green indicator LED will be ON.

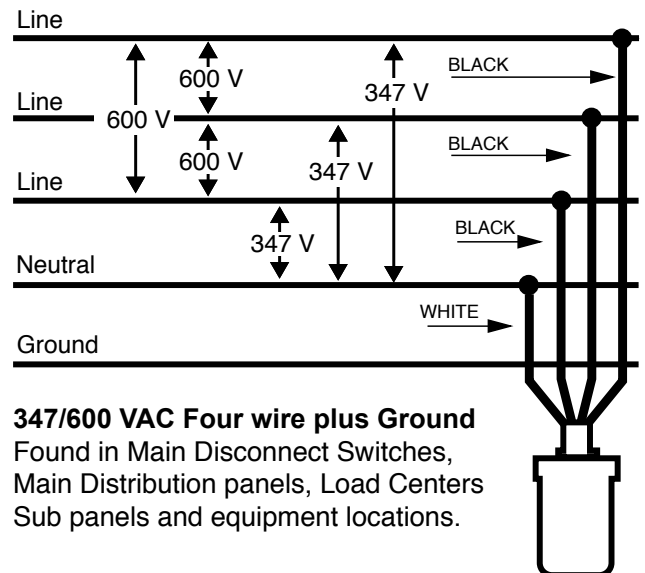
#### Maintenance:

- AC Voltage SPD:
  - Periodically check SPD to ensure green indicator LED is ON. If green LED is OFF, protection has diminished and the SPD should be replaced immediately.

#### 347/600 VAC WYE 3 PHASE



**600 VAC Three wire plus Ground**  
Found at Service Entrances and  
Meter Cabinets.



**347/600 VAC Four wire plus Ground**  
Found in Main Disconnect Switches,  
Main Distribution panels, Load Centers  
Sub panels and equipment locations.

**LIMITED PRODUCT WARRANTY**  
**For**  
**INTERMATIC SURGE PROTECTIVE DEVICES**

Warranty service is available by either (a) returning the product to the dealer from whom the unit was purchased or (b) completing a warranty claim online at [www.intermatic.com](http://www.intermatic.com). This warranty is made by: Intermatic Incorporated, 1950 Innovation Way, Suite 300, Libertyville, IL 60048. For additional product or warranty information go to: <http://www.Intermatic.com> or call 815-675-7000.