

Project		Catalog #		Type	
Prepared by		Notes		Date	



HALO

LT4

4" All-Purpose LED Integrated Trim Modules
600 Lumen Series
90 CRI

Typical Applications

Residential

Interactive Menu

- Order Information [page 2](#)
- Product Specifications [page 4](#)
- Photometric Data [page 3](#)
- Energy & Performance Data [page 4](#)
- Product Warranty

Product Certification



Refer to ENERGY STAR® Certified Products List.
Can be used to comply with California Title 24 High Efficacy requirements.
Certified to California Appliance Efficiency Database under JAB.
NOTE: Due to T20 changes as of July 1st 2019 consult factory for current catalog number and availability for T20 compliant products.

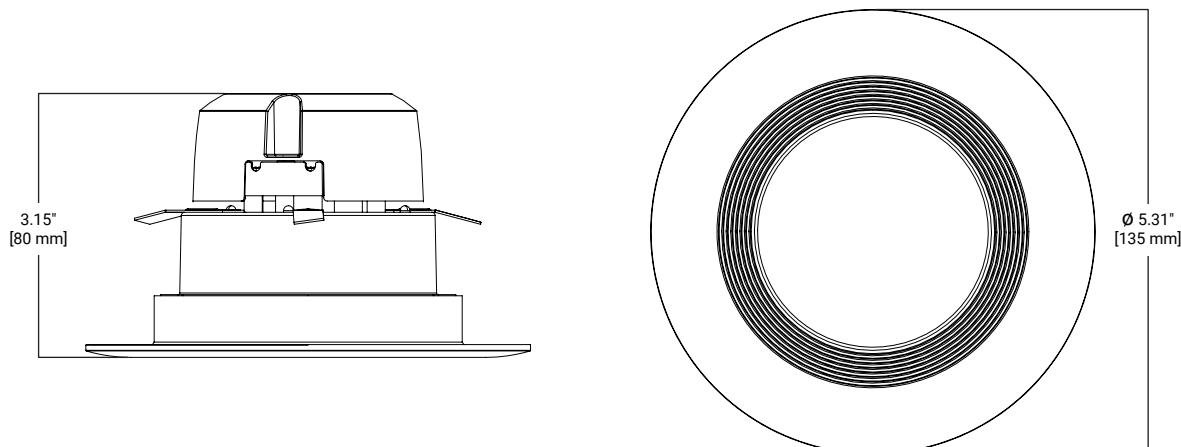
Product Features



Top Product Features

- ENERGY STAR® certified
- 2700K, 3000K, 3500K, 4000K, 5000K, 90 CRI
- Retrofits existing 4" housings with screwbase adapter included
- Use with Halo 4" LED housings - new construction and remodel
- Dimmable down to 10%

Dimensional and Mounting Details



Order Information

SAMPLE ORDER NUMBER: **LT460WH6930R**

A complete luminaire consists of a housing and a LED integrated trim, order separately.

Module	Finish	Lumens	CRI/CCT	Packaging	T20 Compliant
Module	Finish	Lumens	CRI/CCT	Accessories	
LT460 = 4" integrated LED trim	WH = matte white	6 = 600 lumen series (nominal). See table below for details.	927 = 90 CRI (minimum), 2700K CCT 930 = 90 CRI (minimum), 3000K CCT 935 = 90 CRI (minimum), 3500K CCT 940 = 90 CRI (minimum), 4000K CCT 950 = 90 CRI (minimum), 5000K CCT	R = Recyclable	-CA = California

Accessories

Accessories

HE26LED = Replacement medium base (E26) screw base adapter (one included with unit)

Housing Compatibility

Compatible Halo LED Housings with LED Luminaire Connector (high-efficacy compliant – Title 24)

Halo LED

H9951CAT = 4" IC, airtight shallow new construction housing, LED, 120 - 277V
H995RICAT = 4" IC, airtight shallow remodeler housing, LED, 120 - 277V
H245RICAT = 4" IC, airtight ultra-shallow remodeler housing, LED, 120 - 277V

Housing Compatibility

Compatible Halo Incandescent E26 Screwbase Housings

Halo LED Housings

H9951CAT = 4" IC, airtight shallow new construction housing, LED, 120 - 277V
H99RTAT = 4" non-IC, airtight shallow remodeler housing, E26, 120V
H99RTAT = 4" non-IC, airtight shallow remodeler housing, E26, 120V
E41CATSB = 4" non-IC, airtight shallow new construction housing, adjustable socket bracket, E26, 120V
E4TATSB = 4" non-IC, airtight shallow new construction housing, adjustable socket bracket, E26, 120V
E4RTATSB = 4" non-IC, airtight shallow remodeler housing, adjustable socket bracket, E26, 120V

Housing Compatibility

Compatible All-Pro Incandescent E26 Screwbase Housings

All-Pro 4-Inch

ET400ATSB = 4" All-Pro
ET400RATSB = 4" All-Pro
ET400ATSB = 4" All-Pro

LT4 Series LED Retrofit is UL Classified for retrofit in the following 4" recessed housings:

The LT Series LED light module - trim combination is UL/cUL Listed or UL Classified for use with any 4" diameter recessed housing constructed of steel or aluminum with an internal volume that exceeds 62.3 in³ in addition to those noted above.

Product Specifications

LT460WH6927R - 91 CRI

PRODUCT SPECIFICATIONS	
Lumens	630
Watts	8.2
Lumens Per Watt (Efficacy)	76.83
Color Accuracy (CRI)	91
Light Color (CCT)	2700K
Correlated Color Temperature (CCT)	
warm white	soft white
2700K	3000K
4500K	6500K

LT460WH6930R - 91 CRI

PRODUCT SPECIFICATIONS	
Lumens	620
Watts	8.3
Lumens Per Watt (Efficacy)	74.7
Color Accuracy (CRI)	91
Light Color (CCT)	3000K
Correlated Color Temperature (CCT)	
warm white	soft white
2700K	3000K
4500K	6500K

LT460WH6935R - 93 CRI

PRODUCT SPECIFICATIONS	
Lumens	630
Watts	8.2
Lumens Per Watt (Efficacy)	76.83
Color Accuracy (CRI)	93
Light Color (CCT)	3500K
Correlated Color Temperature (CCT)	
warm white	soft white
2700K	3000K
4500K	6500K

LT460WH6940R - 94 CRI

PRODUCT SPECIFICATIONS	
Lumens	660
Watts	8.2
Lumens Per Watt (Efficacy)	80.49
Color Accuracy (CRI)	94
Light Color (CCT)	4000K
Correlated Color Temperature (CCT)	
warm white	soft white
2700K	3000K
4500K	6500K

LT460WH6950R - 95 CRI

PRODUCT SPECIFICATIONS	
Lumens	675
Watts	8.3
Lumens Per Watt (Efficacy)	81.33
Color Accuracy (CRI)	95
Light Color (CCT)	5000K
Correlated Color Temperature (CCT)	
warm white	soft white
2700K	3000K
4500K	6500K

LT460WH6927R-CA - 90 CRI

PRODUCT SPECIFICATIONS	
Lumens	651
Watts	7
Lumens Per Watt (Efficacy)	92.4
Color Accuracy (CRI)	90
Light Color (CCT)	2700K
Correlated Color Temperature (CCT)	
warm white	soft white
2700K	3000K
4500K	6500K

LT460WH6930R-CA - 90 CRI

PRODUCT SPECIFICATIONS	
Lumens	665
Watts	7
Lumens Per Watt (Efficacy)	94.2
Color Accuracy (CRI)	90
Light Color (CCT)	3000K
Correlated Color Temperature (CCT)	
warm white	soft white
2700K	3000K
4500K	6500K

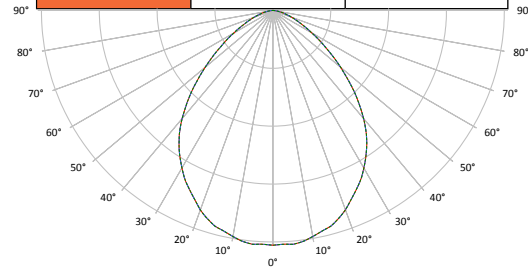
LT460WH6950R-CA - 91 CRI

PRODUCT SPECIFICATIONS	
Lumens	757
Watts	7.1
Lumens Per Watt (Efficacy)	106.1
Color Accuracy (CRI)	91
Light Color (CCT)	5000K
Correlated Color Temperature (CCT)	
warm white	soft white
2700K	3000K
4500K	6500K

Photometric Data

LT4 Photometric*

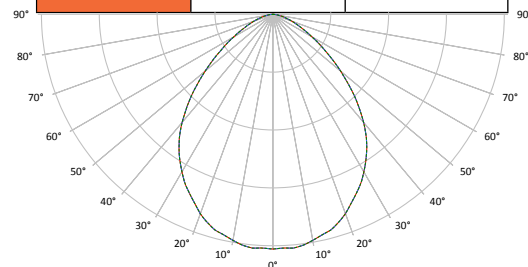
LT460WH6930R		
Luminaire lumens	620	
Input watts	8.3	
LER (LPW)	74.7	
Spacing Criteria	0-180	1.16
	90-270	1.16
	Diagonal	1.23
Beam angle (degrees)	89	
Field angle (degrees)	137.4	
Zonal lumen	Lumens	% Lumens
0-30	214	37.3
0-40	339	58.9
0-60	517	90
0-90	575	100



* Tested in accordance with IES LM63. Field results may vary.

LT4-CA Photometric*

LT460WH6930R-CA		
Luminaire lumens	665.4	
Input watts	7.06	
LER (LPW)	94.2	
Spacing Criteria	0-180	1.16
	90-270	1.16
	Diagonal	1.23
Beam angle (degrees)	89	
Field angle (degrees)	137.4	
Zonal lumen	Lumens	% Lumens
0-30	214.6	37.1
0-40	381.5	58.6
0-60	585.3	89.9
0-90	651.1	100



* Tested in accordance with IES LM63. Field results may vary.

Specification Features

Module

- LED module consists of LED array, optical assembly, driver and baffle style self-flanged trim
- Achieving L70 at 35,000 hours in IC and non-IC applications

Gaskets

- Closed cell gasket achieves restrictive airflow requirements without additional caulking

LED Array

- A plurality of low power LEDs provide a uniform source with high efficiency and long life
- Available in 90 CRI minimum, R9 greater than 50 and color accuracy within 4 SDCM provide color accuracy and uniformity
- Available in 2700, 3000, 3500, 4000 and 5000K CCT color temperatures

Optical Assembly

- Optical assembly provides wide distribution useful for general and task lighting
- Diffuse injection molded lens with contoured profile provides uniformity and a familiar lamp like appearance
- Meets Energy Star color angular uniformity requirements

Driver

- Integral 120V 60 Hz constant current driver provides high efficiency operation
- Continuous, flicker-free dimming from 100% to 10% with select leading or trailing edge 120V phase cut dimmers – consult dimming guide for more information
- Consult dimmer manufacturer for compatibility and conditions of use
- Inline electrical quick connect and E26 adapter (provided) provides mains connection
- A separate ground wire and mounting hardware insures proper ground connection to housing

Retention

- Heat treated friction blades hold module securely to the housing
- Push-n-Twist feature pulls housing tight to ceiling by rotating clockwise
- Friction blades swing out of position by rotating counter-clockwise from below the ceiling for service or replacement

Trim

- One-piece step baffle and self-flanged trim ring provides lens regression and reduces light leaks
- Injection molded plastic construction is impact resistant and non-corrosive
- Non-conductive construction meets most local code 'dead front' requirements

Compliance

- cULus listed for use with Halo housings, classified for use with other's housings, see instruction sheet for conditions of acceptability
- Wet location listed and IP66 ingress protection rated
- Airtight per ASTM-E283
- Suitable for use in clothes closets when installed in accordance with the NEC 410.16 spacing requirements
- EMI/RFI emissions per FCC 47CFR Part 15 consumer limits
- Contains no mercury or lead and RoHS compliant
- Photometric testing in accordance with IES LM-79-08
- Lumen maintenance projections in accordance with IES LM-80-08 and TM-21-11
- Can be used for State of California Title 24 high efficacy luminaire compliance, reference the California Energy Commission Title 20 Appliance Efficiency Database for current listings
- ENERGY STAR® listed, reference database for current listings
- Meets State of California voluntary lamp standards

Warranty

- Five year limited warranty, consult website for details.
www.cooperlighting.com

Energy Data

Energy Data	
Lumens	600 Series
Input Voltage	120V
Input Current	0.069 (mA)
Input Power	8.0 (W)
Efficiency	Up to 76 (LPW)
Inrush (A)	
THD: ≤ 24%	
PF: ≥ 0.90	
T Ambient -30 - +40°C	
Sound Rating ≤ 23dba	